

Datasheet T Adaptor

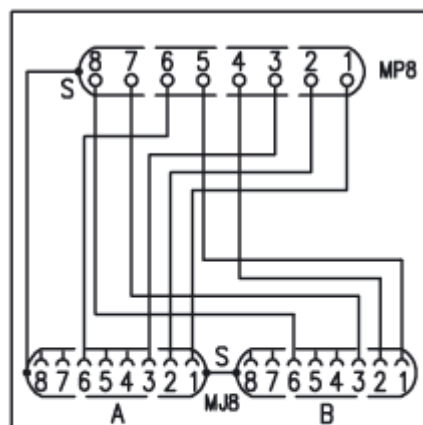
RS Stock number 400-9001



Description:

2 x 10/100BT, shielded, outputs 2 x 10/100 Base T, light grey RAL 7035 (MOQ 1)

Dimensions - mm



T-Adapter S Cat.5
10/100BT / 10/100BT
1-2, 3-6/1-2, 3-6