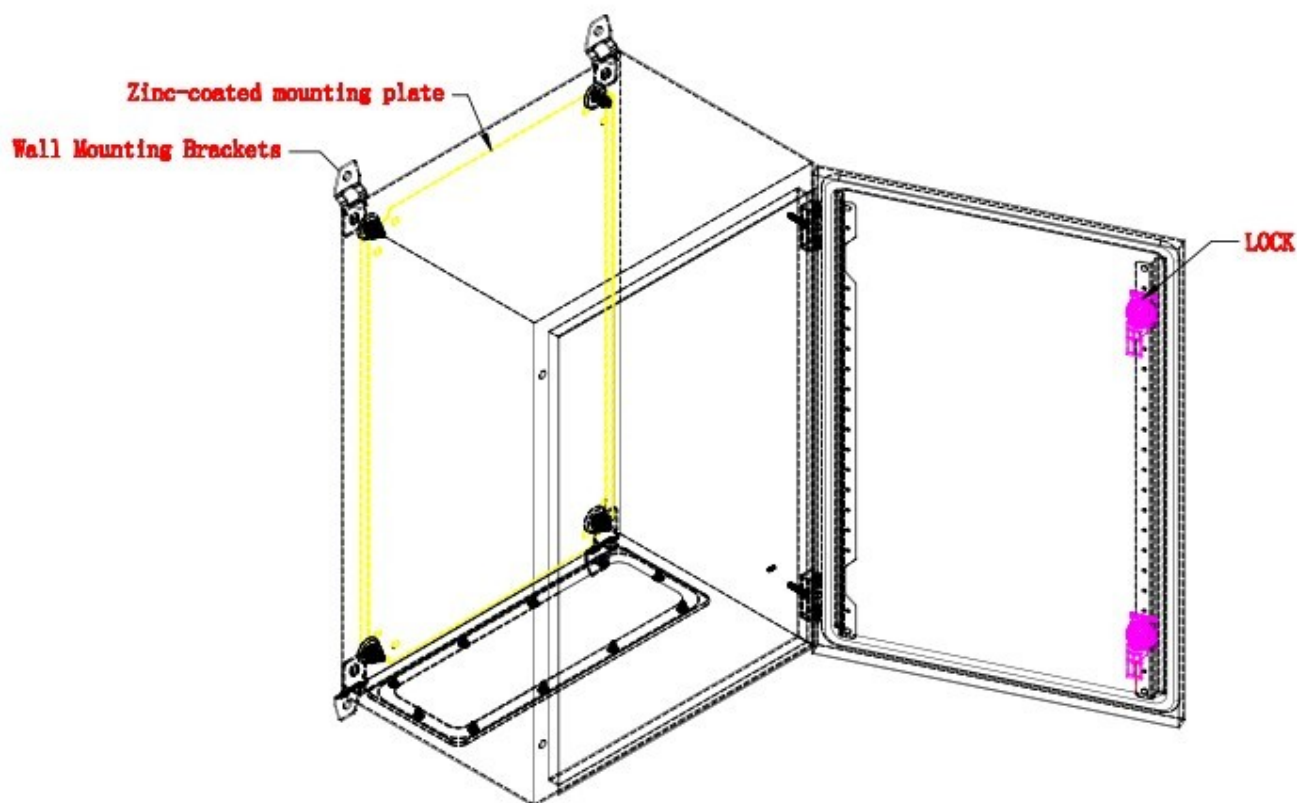




Data sheet

ENGLISH



Application: A mild steel IP66 industrial wall box suitable for housing electronic and electrical equipment in demanding environments, where the area is prone to frequent hosing or generally wet conditions.

Supply Includes: Enclosure and door mounting plate, double locking system, gland plate, sealing gasket and fixing accessories.

Standard Configuration: Paint finish epoxy polyester powder coating textured finish

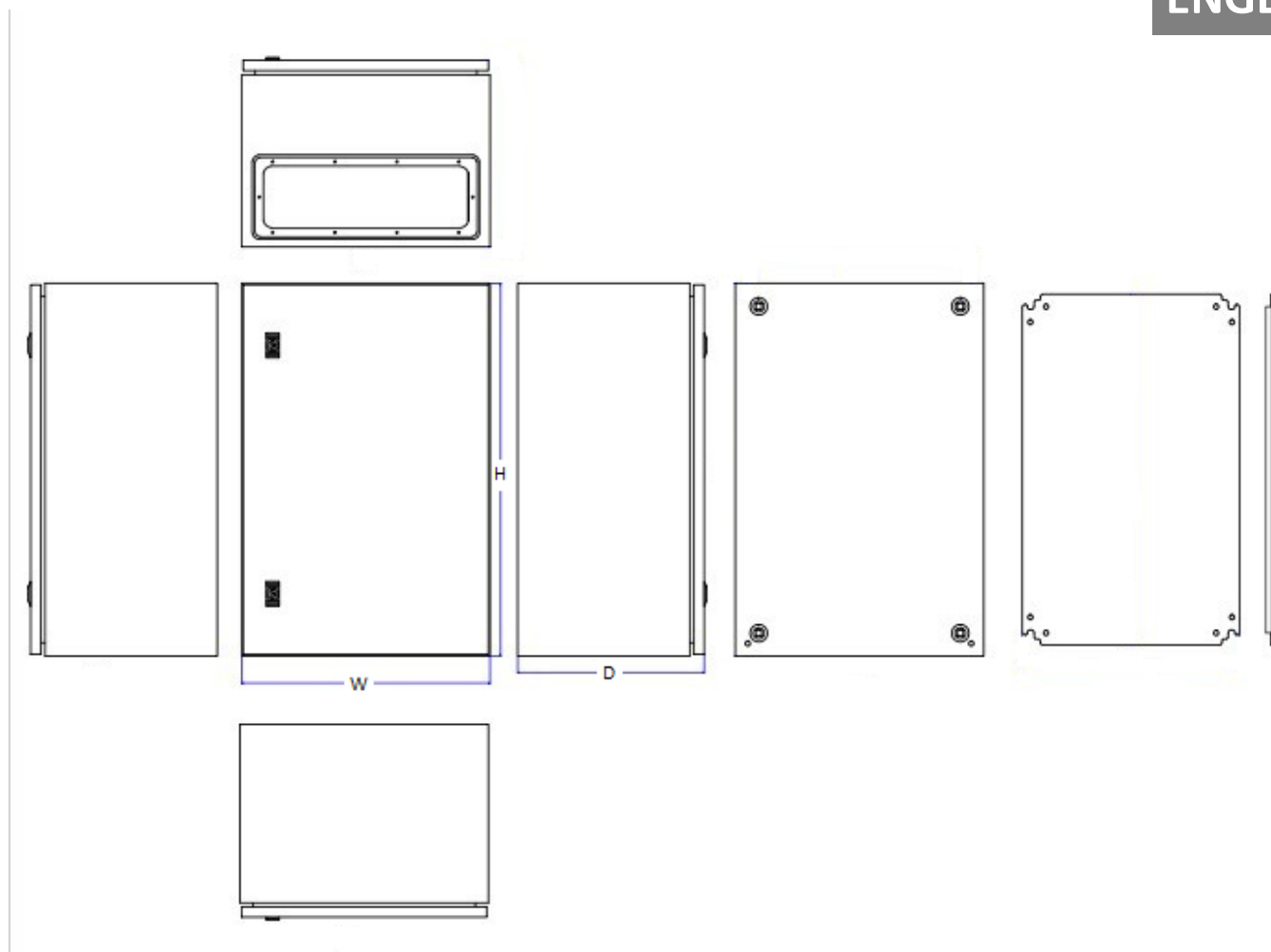
Color: RAL7032

Protection degree: IP66

Against mechanical impacts: IK10

Thickness: enclosure & door 1.2mm or 1.5mm sheet steel

Mounting plate: zinc-coated steel 1.5mm or 2.0mm



Stock no.	Description	Height (mm)	Width (mm)	Depth (mm)	Body & door thickness (mm)	Mounting plate thickness (mm)
775-5817	Double lock	600	400	200	1.2	1.5
775-5338	Double lock	600	400	210	1.2	1.5
775-5347	Double lock	600	400	300	1.2	1.5
775-5811	Double lock	600	500	200	1.2	1.5
775-5820	Double lock	600	600	200	1.2	1.5
775-5340	Double lock	600	600	210	1.2	1.5
775-5344	Double lock	600	600	300	1.2	1.5
775-5353	Double lock	600	600	400	1.2	1.5
775-5823	Double lock	700	500	200	1.2	1.5
775-5356	Double lock	700	500	260	1.2	1.5
775-5827	Double lock	800	600	200	1.5	2
775-5350	Double lock	800	600	210	1.5	2
775-5362	Double lock	800	600	300	1.5	2
775-5369	Double lock	800	600	260	1.5	2