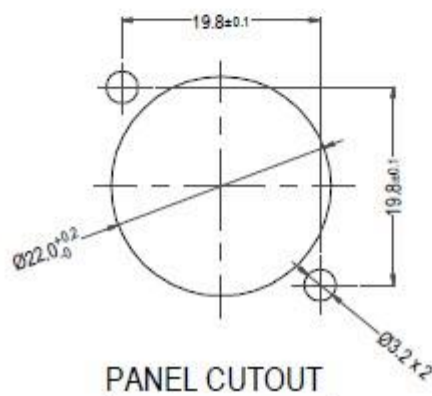
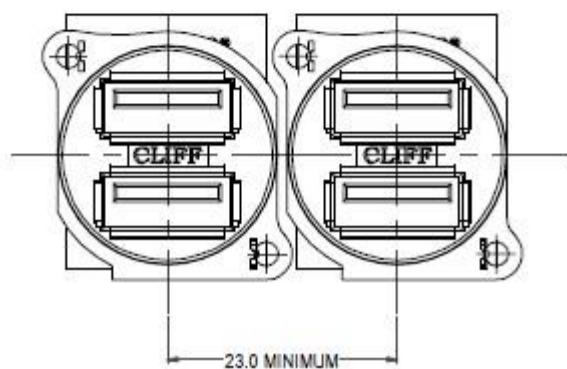
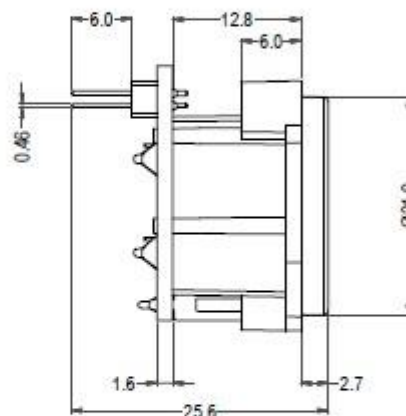
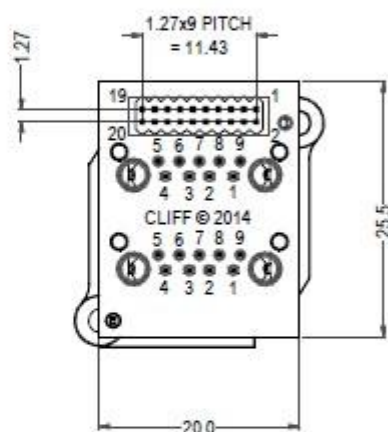
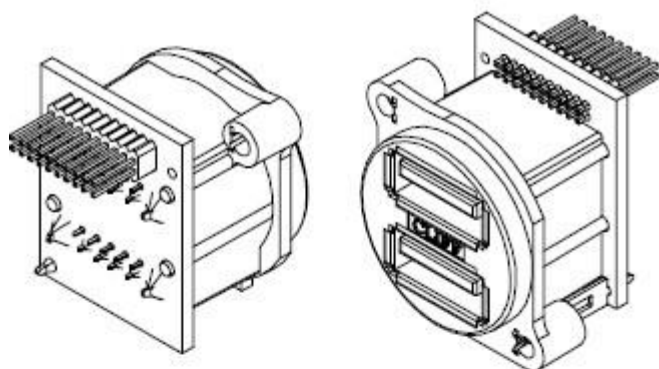
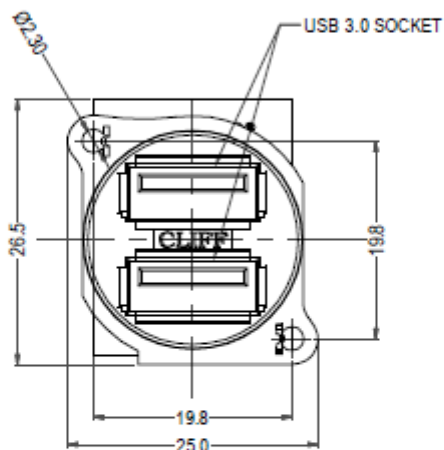
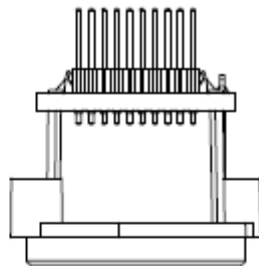


Datasheet

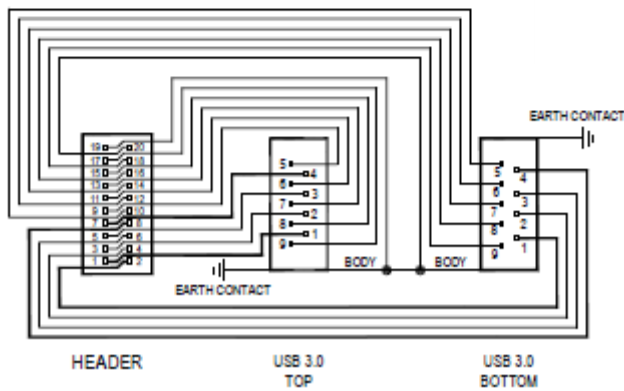
Panel Mount Version 3 USB Connector, female

RS Stock number 862-1576





	Pin No.		Header Pin
Top USB	1	VBUS	1
	2	D-	3
	3	D+	5
	4	GND	7
	5	StdA_SSRX-	9
	6	StdA_SSRX+	11
	7	GND_DRAIN	13
	8	StdA_SSTX-	15
	9	StdA_SSTX+	17
	USB Body + Panel Earth		19
Bottom USB	1	VBUS	2
	2	D-	4
	3	D+	6
	4	GND	8
	5	StdA_SSRX-	10
	6	StdA_SSRX+	12
	7	GND_DRAIN	14
	8	StdA_SSTX-	16
	9	StdA_SSTX+	18
	USB Body + Panel Earth		20



SCHEMATIC