

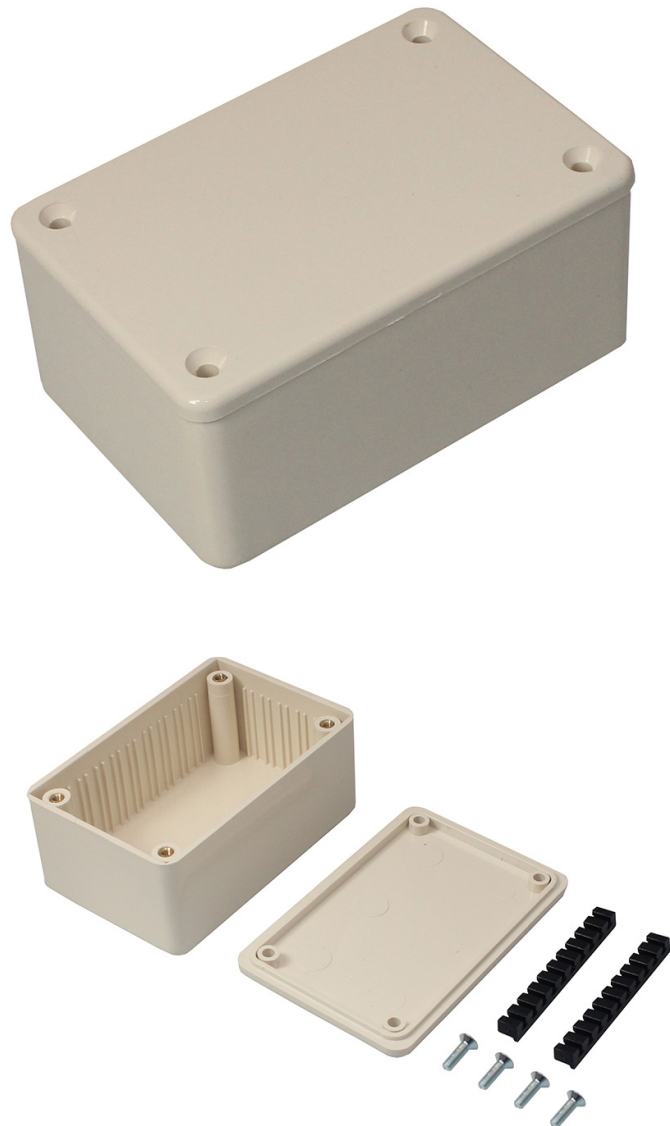
Datasheet

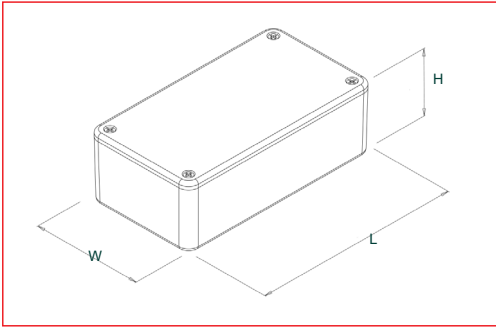
EN

Product overview

Extensive range of electronic enclosures with solid ABS lid, designed for a broad range of applications.

- Lid and base moulded in ABS
- Lid mounted by four M3 machine screws
- Brass inserts in base for repetitive removal of the lid
- Polished finish for ease of cleaning
- Excellent properties for machining
- Integral mounting guides to accept 1.6mm PCBs
- PCB adaptors (not included) for horizontal PCB mounting
- Available with clear lid on request (subject to MOQ)
- Available in other colours on request (subject to MOQ)
- 2000 series has been designed to meet the requirements of IP54





SPECIFICATION	
Materials	Lid and base high impact ABS UL94-HB New colours - ABS UL94-V0
Operating temperature	Resistant to temperatures between -5°C and 80°C
Standard colours	Grey (GY), black (BK), ivory (WH)
Protection class	2000 series has been designed to meet the requirements of IP54
Standard unit includes	Base and lid 4x M3 machine screws
Options (MOQ's apply)	Different colours Clear lid BIM adaptor

GREY	BLACK	IVORY	LENGTH	WIDTH	HEIGHT
1533207	1533215	1533208	55mm	55mm	42mm
-	1533214	1533209	85mm	56mm	39mm
-	1533681	1533691	100mm	50mm	25mm
-	1533205	1533203	112mm	62mm	31mm
-	1533690	-	112mm	62mm	31mm
1533212	1533210	1533687	120mm	65mm	40mm
-	1533213	1533211	150mm	80mm	50mm
-	1533678	1533202	190mm	110mm	60mm