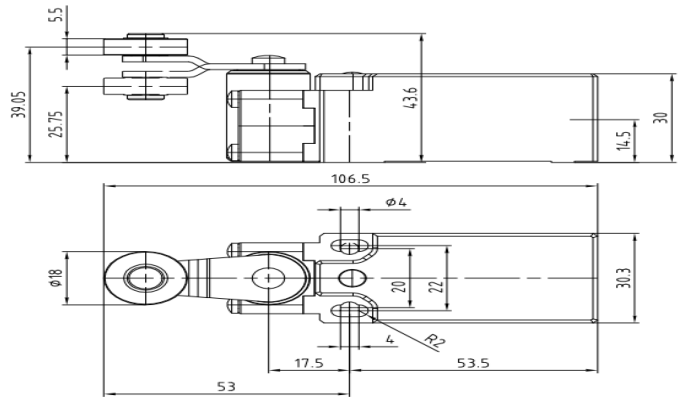
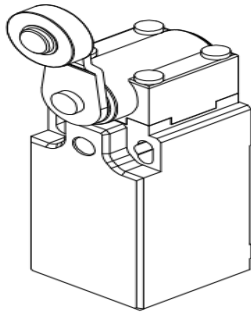


Datasheet

Limit Switch

ENGLISH

RS Stock number 902-6856



Description

Limit Switch – Casing is Double insulated plastic casing IP65 30mm width
 The electrical connection – 1 cable inlet for M20 x 1.5 cable gland.
 Operation Head diameter 18mm Nylon Roller Lever.
 Contacts Z11 Snap action – 1NO + 1NC

Specification:

Standards		Devices conform with international IEC 947-5-1 and European EN 60 947-5-1 standards	
Certifications - Approvals		UL - CSA - IMQ	
Air temperature near the device			
- during operation	°C	- 25 ... + 70	
- for storage	°C	- 30 ... + 80	
Protection against electrical shocks (according to IEC 536)		Class II	
Degree of protection (according to IEC 529 and EN 60 529)		IP 65	
Rated insulation voltage U_i		500 V (degree of pollution 3) (400 V for contacts type X12P, X21P, W03P) A 600, Q 600 (A 300, Q 300 for contacts type X12P, X21P, W03P)	
Rated impulse withstand voltage U_{imp} (according IEC 947-1 and EN 60 947-1)		kV	6
Conventional free air thermal current I_{th} (according to IEC 947-5-1 and EN 60 947-5-1) $\theta < 40$ °C		A	10
Short-circuit protection			
$U_e < 500$ V a.c. - gG (gl) type fuses		A	10
Rated operational current I_e / AC-15 (according to IEC 947-5-1)			
	24 V - 50/60 Hz	A	10
	120 V - 50/60 Hz	A	6
	230 V - 50/60 Hz	A	3.1
	240 V - 50/60 Hz	A	3
	400 V - 50/60 Hz	A	1.8
I_e / DC-13 (according to IEC 947-5-1)			
	24 V - d.c.	A	2.8
	125 V - d.c.	A	0.55
	250 V - d.c.	A	0.27
Switching frequency		Cycles/h	3600
Load factor			0.5
Resistance between contacts		mΩ	< 25
Connecting terminals		M3.5 (+, -) pozidriv 2 screw with cable clamp (M3 for 3 poles contacts type)	
Terminal for protective conductor		-	
Connecting capacity		1 or 2 x mm ²	0.75 ... 2.5 (0.34... 1.5 for 3 poles contacts type)
Terminal marking		According to EN 50 013	
Mechanical durability		Millions of operations	15 } AP•T { 10...12; 21; 30...34; 38 10 } { 13; 41...48; 51...55; 61...75 >5 } { 14; 35; 36; 39; 91...93; 98

For the complete list of approved products contact our technical department.

IMQ listed values