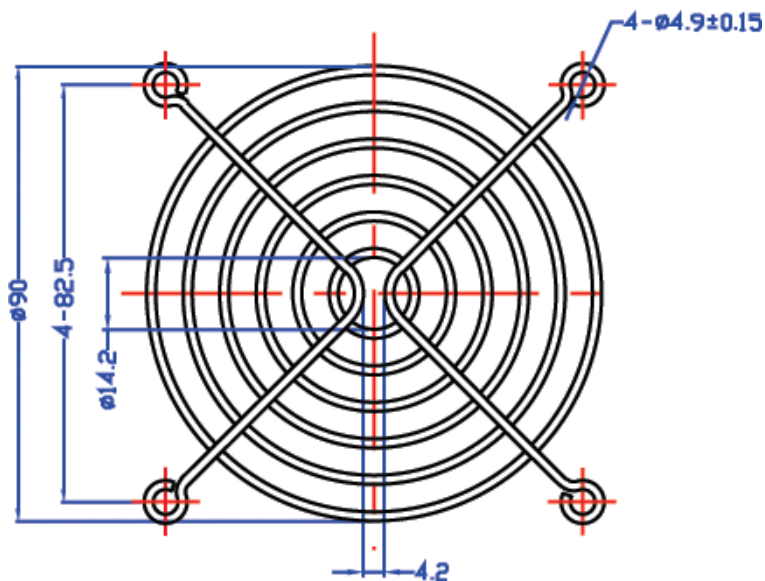
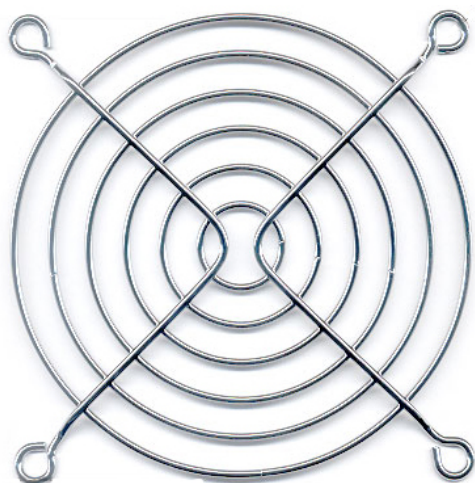


Datasheet

**Part Nos. G92-16/PK,
G92-16B/PK**

*Fan Guard for
92mm Fan*



NOTES:

1. MATERIAL: C1008 BRIGHT BASIC WIRE
2. FINISH: BRIGHT NICKEL CHROME OR BLACK
3. RINGS: 1.6MM DIA / RIBS: 1.6MM DIA
4. WELDS TO WITHSTAND 88LBS PULL FORCE
5. SPACING BETWEEN RINGS: 5.66MM
6. GENERAL TOLERANCE UNLESS NOTED +/-0.5
7. PART MEETS 6.35MM PLUG GAUGE TEST
8. UNIT: MM

RS Order No.	Part Number	Description
7373989	G92-16/PK	10-Pack G92-16, 92mm fan guard, nickel chrome, Boxed
7373982	G92-16B/PK	10-Pack G92-16B, 92mm fan guard, black finish, Boxed