

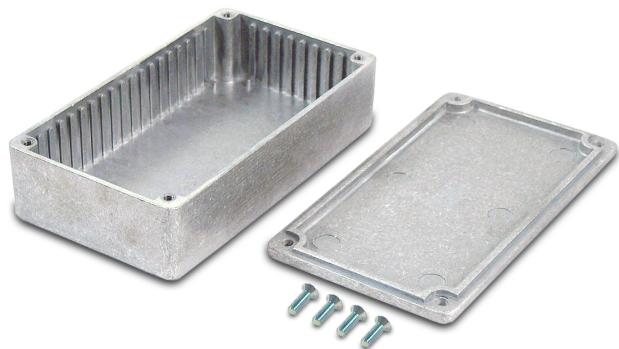
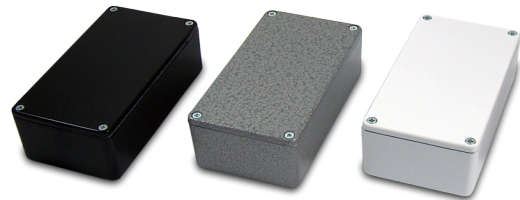
Datasheet

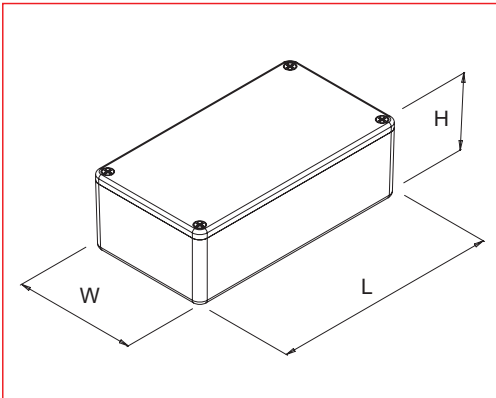
EN

Product overview

Highly durable robust aluminium diecast boxes with RFI shielding properties.

- Diecast aluminium
- Lid mounted by four M3 machine screws
- Temperature resistant up to 260°C (without gasket)
- Highly durable and shock resistant
- Vertical guides for PCB fixing
- Optional neoprene gasket for IP65 seal
- Enclosure screws can be used with the wall mount kit
- 5000 series has been designed to meet the requirements of IP54 or additionally, IP65 with the gasket accessory





SPECIFICATION	
Materials	Lid and base diecast aluminium to ENAC 44200
Standard colours	Black RAL 9004, white RAL 9010, natural, hammertone, red RAL 3020, yellow RAL 1023, blue RAL 5005 and green RAL 6001
Protection class	5000 series has been designed to meet the requirements of IP54 or additionally, IP65 with the gasket accessory
Standard unit includes	Base, lid and x4 zinc plated M3 screw
Options	Wall mounting kit IP65 gasket

NATURAL	RED	BLACK	WHITE	LENGTH	WIDTH	HEIGHT
1610936		1585305		50mm	50mm	31mm
1610937		1585306		101mm	50mm	25mm
1610938	1585308	1585307	1585309	112mm	62mm	31mm
1610939	1585311	1585310		120mm	66mm	40mm
1610940	1585313	1585312		152mm	82mm	50mm
1610941		1585314		192mm	112mm	61mm
1610942		1585315	1585316	121mm	95mm	61mm

YELLOW	LENGTH	WIDTH	HEIGHT
1585317	121mm	95mm	61mm

ACCESSORIES

5000 series IP65 gasket

- Neoprene gasket, 1.5mm thick
- Resistant to acids, gasoline
- Suitable for outdoor applications
- Design to meet IP65



PART NO.	DESCRIPTION
FT094-517	5001-11 gasket
FT094-505	5002-12 gasket
FT094-509	5003-13 gasket
FT094-510	5004-14 gasket
FT094-513	5005-15 gasket
FT094-506	5006-16 gasket

Wall mounting kit

- One type fits all sizes



PART NO.	DESCRIPTION
RT5000-K	Wall mounting kit

