



NO2-4FDW-A

Chassis connector with black chromium plating, 4 solder contacts and 1 LC-Duplex feedthrough socket, waterproof acc. to IP65 ingress protection in mated condition with SCDP-*

The chassis connector acts as a "feed-through" allowing simplified installations by connecting a conventional LC-Duplex on the rear. It is built in the standard D size shell and features an automatic sealing cover for maximum dust and dirt protection and a Push-Pull locking mechanism for safe connection.

Features & Benefits

- Suggested OEM equipment connector due to LC front compatibility
- Shutter with silicone gasket protects optical connection from dust and dirt
- Connection on the front side either by rugged opticalCON or standard LC connector
- IP65 ingress protection in mated condition with SCDP-*
- Designed as feedthrough with automatic sealing shutter
- Accommodates standard LC connectors on the rear for simple installation
- The low cost of the chassis connector makes it a viable alternative to traditional connectors in fixed installations
- Color coding with SCDP-* according to ANSI/TIA-568.3-D Standard:
Multimode - black
Single mode PC - blue
Single mode APC - green

Attention! - Product Update



Improved contacts to allow indoor camera routing applications (pollution degree 1, overvoltage category 1) acc. to IEC 60664 up to 240 V ac.

Technical Information

Product	
Title	NO2-4FDW-A
Gender	female

Electrical	
Contact resistance	< 7 mΩ
Dielectric strength	1,5 kVdc
Insulation resistance	> 2 GΩ (initial)
Rated current per contact	6 A
Rated voltage	< 50 V (1)

Mechanical	
Insertion force	< 45 N
Withdrawal force	< 45 N
Lifetime	> 5000 mating cycles
Locking force	1000 N
Wiresize	
Locking device	Push-Pull
Mounting direction	Front mounting
Chassis shape	D

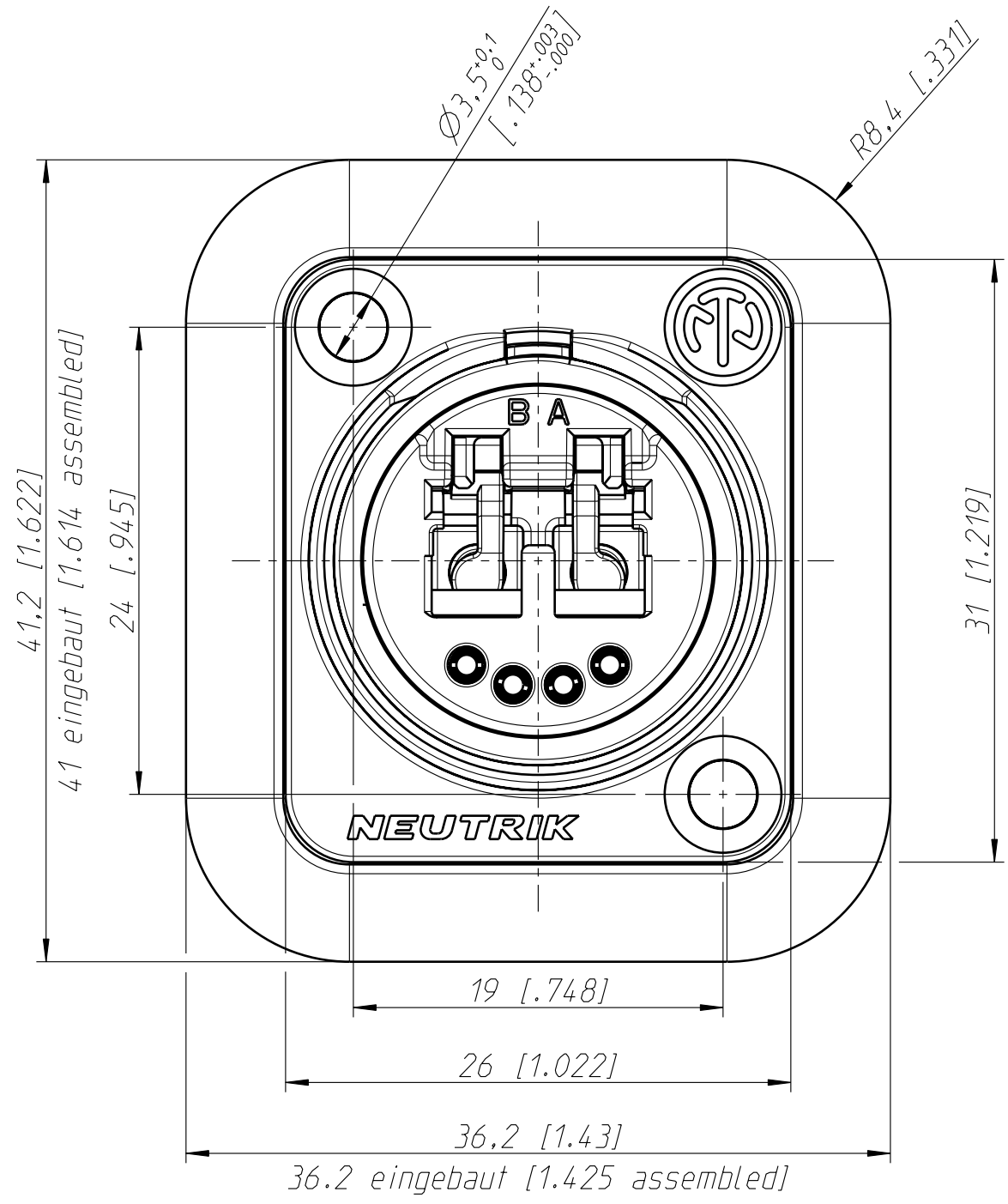
Material	
Contacts	Bronze (CuSn6)
Insert	Polyamide (PA 6, PBT 30 % GR, PBT 50 % GR)
Shell	Zinc diecast (ZnAl4Cu1)
Shell plating	Black chromium
Split sleeve	ceramics

Environmental	
Temperature range	-40 °C to +75 °C

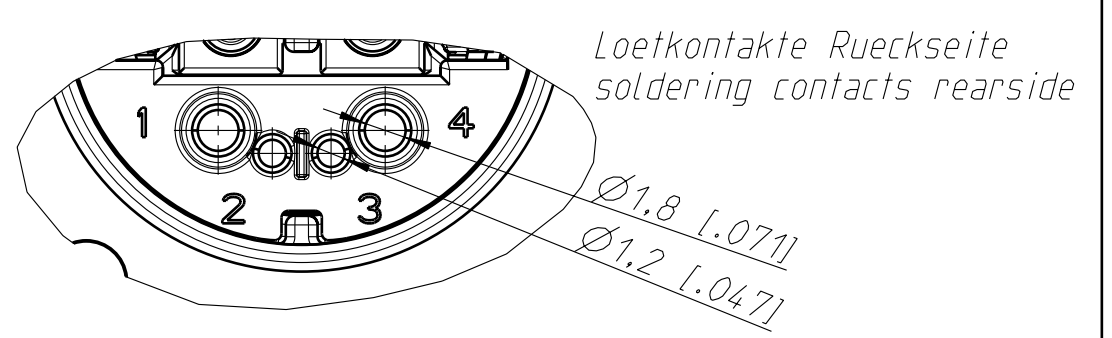
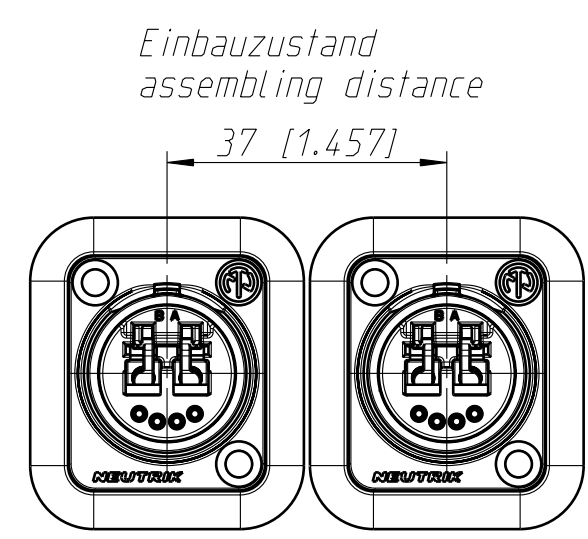
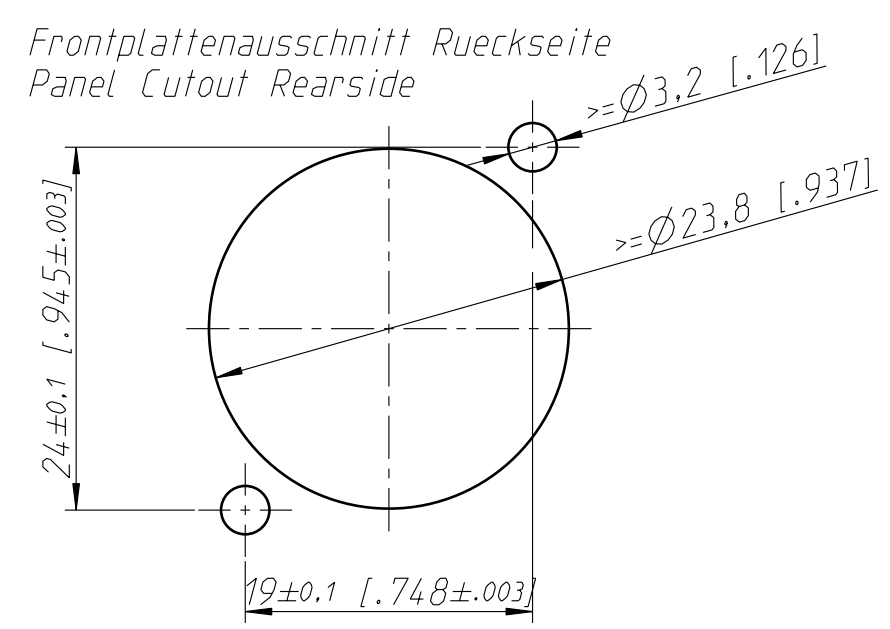
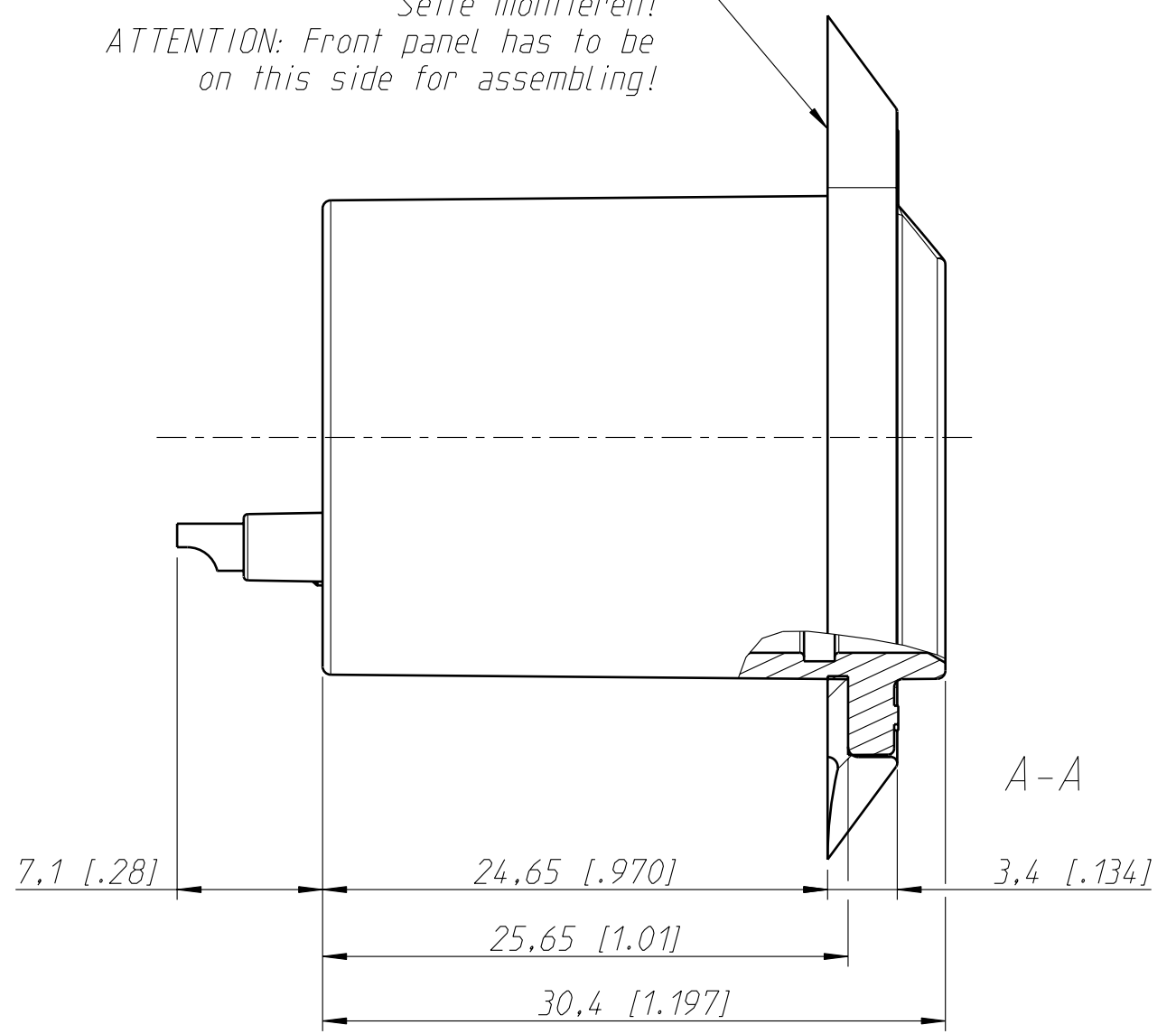
Optical

Optical connector

LC-Duplex Feedthrough



ACHTUNG: Frontplatte auf dieser Seite montieren!
 ATTENTION: Front panel has to be on this side for assembling!



Allgemeintoleranzen ISO 2768-m	Werkstoff KEIN_MAT	Massstab: 3:1 (A3)	Gezeichnet	Datum	Name
			Freigegeben	10.09.07	Bartel
Zeichnung urheberrechtlich geschuetzt (DIN 34) (C)	-	-	Geaendert	28.02.11	Koch
			Aend.-Nr.	-	Aend.-Index C
Benennung opticalCON DUO NO2-4FDW			Ersatz fuer:	Blatt 1 von 1 Bl.	
NEUTRIK AG FL-9494 SCHAAN			Zeichn. Nr.	ST-NO2-4FDW	