

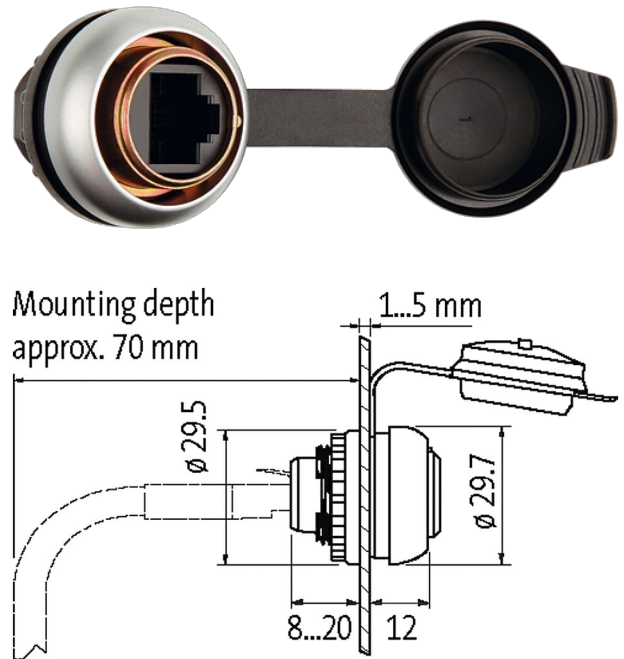
## MSDD INSTALLATION SOCKET RJ45 BU/BU

Pass-through

1 × RJ45, 8-pole metal, CAT5e (female/female)

### [Link to Product](#)

#### Illustration



Product may differ from Image

#### Approvals



#### Technical Data

Operating voltage	24 V AC
Operating current	max. 1.5 A
Specification	SUB-D: (DIN 41652/IEC 60807-1); RJ45: CAT5e (100 MHz - Mbit/s); USB: 2.0/Type 2dB (max. 480 Mbit/s)
Mounting depth mounted	approx. 19 mm

#### General data

Shielded	yes
Protection	IP65
Dimensions H×W×D	29.5×29.5×29 mm
Cut-out	Ø 22.5 mm

#### Commercial data

country of origin	CZ
customs tariff number	85366990
EAN	4048879031189
eClass	27143423
Packaging unit	1