

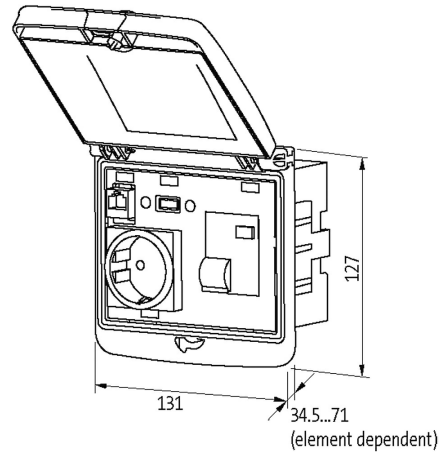
Modlink MSDD set contains:Frame 4000-68524-0000001

Insert 4000-68000-4070000 + 4000-68000-1310000

[Link to Product](#)

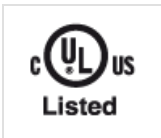
Illustration





Product may differ from Image

Approvals



Frame

suitable for mounting with wall thickness	1...5 mm
Protection	IP65
Housing	Frame: plastic PA black, cap: plastic PBT gray
Temperature range	-30...+70 °C (storage temperature -30...+80 °C)

USB

Operating voltage	48 V AC/DC
Operating voltage (UL Rating)	max. 30 V AC/42.4 V DC
Operating current	1.5 A
Locking of ports	Snap In
Specification	USB: 3.0 (max. 5 Gbit/s)

RJ45

Operating voltage (UL Rating)	max. 30 V AC/42.4 V DC
Operating current (UL Rating)	max. 175 mA
Connection front side	RJ45
Connection rear side	RJ45
Locking of ports	Snap In
Specification	CAT5e, Class D, 100 MHz, (EN 50173-1)

Shielding plate

Connection	Threaded hole M4
Tightening torque	0.9 Nm ±0.1

Fuse

The information in this brochure has been compiled with the utmost care.

Liability for the correctness completeness and topicality of the information is restricted to gross negligence. Version: 12/19

Murrelektronik GmbH | Falkenstraße 3 | 71570 Oppenweiler | Fon +49 (71 91) 47-0 | Fax +49 (71 91) 47-491000 | shop@murrelektronik.com | shop.murrelektronik.com

Operating voltage	250 V AC/32 V DC
-------------------	------------------

Continuous load	3 A
-----------------	-----

USA

Operating voltage	125 V AC
-------------------	----------

Operating current	15 A
-------------------	------

No. of poles	2 + PE
--------------	--------

Connection	Plug-solder connection: 4.8×0.5 mm
------------	------------------------------------

Commercial data

country of origin	CZ
-------------------	----

customs tariff number	85366990
-----------------------	----------

EAN	4048879691888
-----	---------------

eClass	27189234
--------	----------

Packaging unit	1
----------------	---