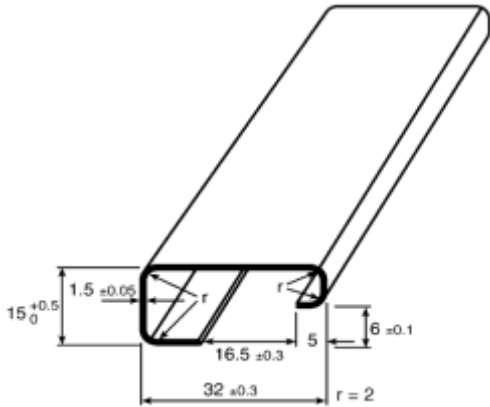


Datasheet

DIN Rail G, TS32 Standard, 1m x 32mm x 15mm

RS Stock number 0467365



Features

TS 32

Plain assymmetric steel rail punched for drilling.

Standards: DIN 46277 CENELEC EN 50.035

Pack quantity: 40m (or 10 x 1m)

Weight: 0.73 kg/m Also available in galvanised ref TS 32 G