

Slip rings

Compact	Low-maintenance	SR060E
----------------	------------------------	---------------



In general slip rings are used to transmit power, signals or data from a stationary to a rotating platform.

The SR060E is a compact, economical slip ring for up to 3 power and 2 signal transmissions.

New innovative contact materials ensure long service life and extremely low-maintenance operation. The round shape with smooth surfaces and high protection level allows easy cleaning.

Compact

- Dimensions 60 x 98 mm.
- Can be used as a pair starting from just 60 mm shaft distance of the sealing rollers.
- Various component configurations for the transmission paths, max. 3 x load and 2 x signal transmission.
- Easily accessible connections.
- Load current up to 20 A.

Low-maintenance

- Maintenance cycles only every 100 million revolutions.
- No contact oil required.
- Easy cleaning – high protection level IP64.

Applications for slip rings

Flowpack and blister packaging machines, robots and handling equipment, rotary tables

Order code for standard versions	SR060E	-XX-	X-	X-	-XX	2-	V100
	Type	a	b	c	d	e	f
a <i>Hollow shaft</i> 20 = ø 20 mm [0.79"] 21 = ø 21 mm [0.83"] 22 = ø 22 mm [0.87"] 24 = ø 24 mm [0.94"] 25 = ø 25 mm [0.98"] (other diameters on request)	b <i>Number of signal / data channels</i> 0 or 2	c <i>Number of load channels</i> 0, 2 or 3	d <i>Max. load current</i> 0 = no load channels 1 = 16 A, 240 V AC/DC 2 = 20 A, 240 V AC/DC	e <i>Contact material signal / data channels</i> 0 = no signal / data channels 3 = silver / precious metal	f <i>Protection</i> 2 = IP64	g <i>Version number (options)</i> V100 = without option > V100 = option on request	

Technical data	
Hollow shaft diameter	up to max. ø 25 mm [0.98"]
Voltage/current loading	
load channels	240 V AC/DC, max. 16 A
signal / data channels	240 V AC/DC, max. 20 A (order option 2) 48 V AC/DC, max. 2 A
Contact resistance	
load channels	≤ 1 Ohm (dynamic) ¹⁾
signal / data channels	≤ 0.1 Ohm (silver / precious metal) ²⁾
Insulation resistance	10 ³ MOhm (at 500 V DC)
Dielectric strength	1000 V eff. (60 sec.)
Speed max.	500 min ⁻¹
Torque	< 0,2 Nm

Service life	typ. 500 million revolutions (at room temperature) depends on installation position
Maintenance cycles	first maintenance after 50 million revolutions, all further maintenance intervals after 100 million revolutions
Maintenance	contact oil not required
Material pairing	
load channels	copper / bronze
signal / data channels	silver / precious metal
Operating temperature	0°C ... +75°C [+32°F ... +167°F]
Protection acc. to EN 60529	IP64

1) Voltage measurement, ambient temperature, DC series connection, ohmic load, min. 4 A test current.

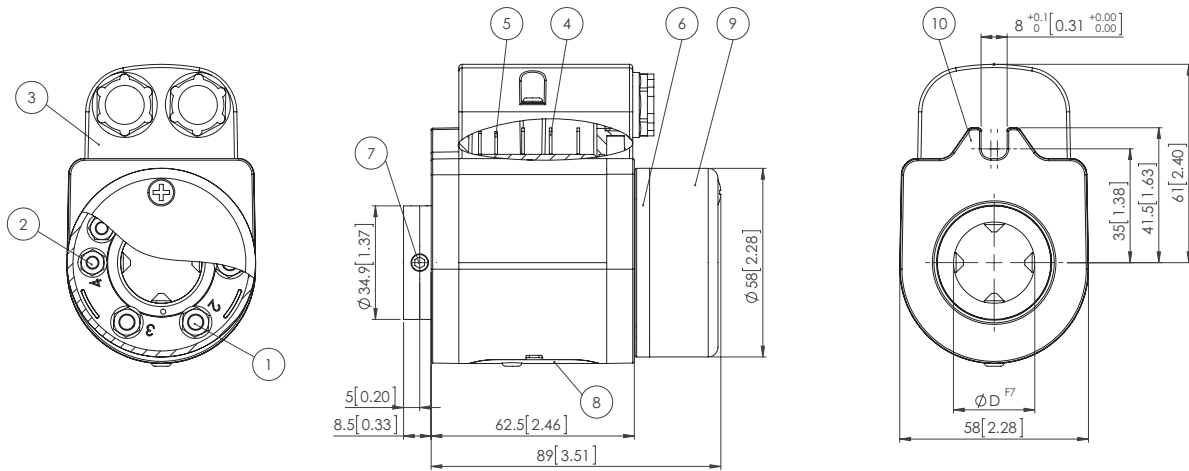
2) 2-wire resistance measurement, ambient temperature, 6.5-digit digital multimeter or similar, values without testing cable.

Slip rings

Compact **Low-maintenance** **SR060E**

Dimensions

Dimensions in mm [inch]



- 1 – Screw terminal M5 for load transmission
- 2 – Screw terminal M4 for signal transmission
- 3 – Protective cover for the stator connections with screwed assembly (only IP64)

- 4 – Flat pin connection for load transmission
- 5 – Flat pin connection for signal transmission
- 6 – Rotating connection ring
- 7 – 4 x socket set screw DIN 914 M6

- 8 – Maintenance window
- 9 – Protective cover for connections
- 10 – Torque stop