

3-6609956-7 ✓ ACTIVE

Corcom | Corcom P

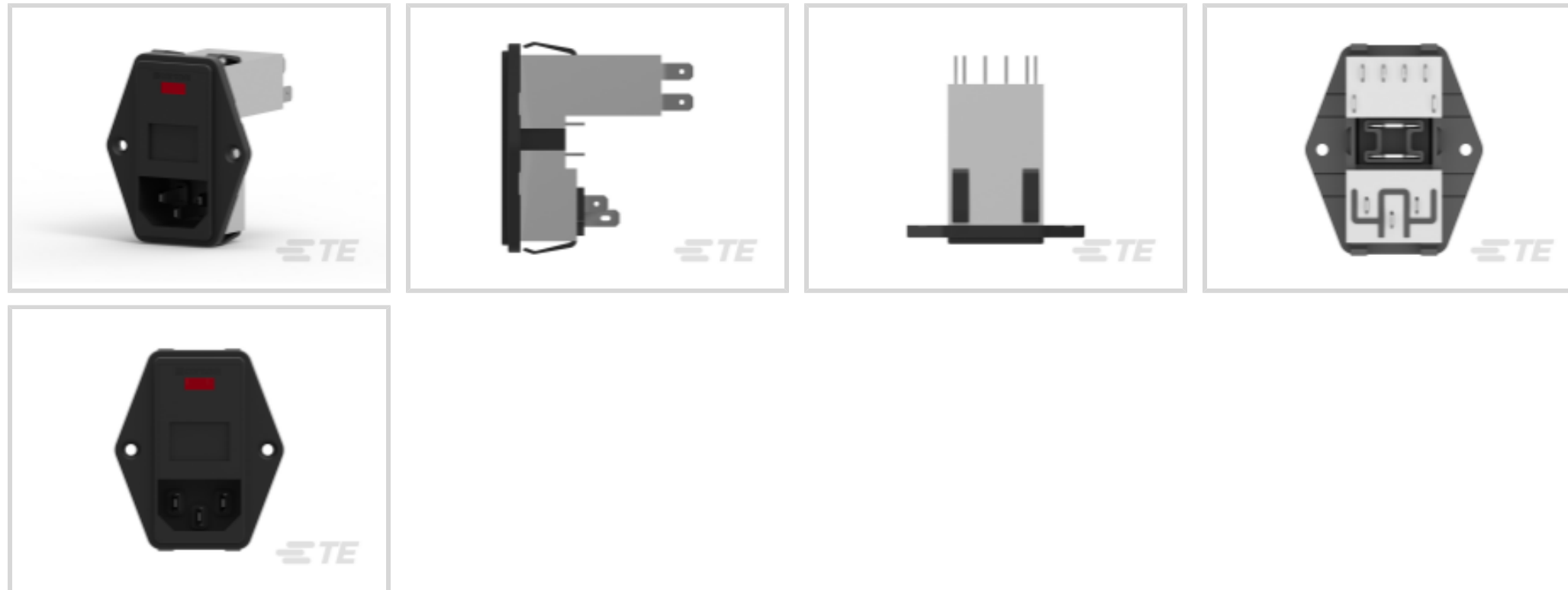
TE Internal #: 3-6609956-7

Corcom P, Multi-Function Inlet Filters, Power Entry (Filtered /Unfiltered), Single, Single AC Input, None, Shield Style None, Vertical

[View on TE.com >](#)



EMI Filters > Multi-Function Inlet Filters > CORCOM P SERIES MULTI-FUNCTION INLET FIL



Filter Type: **Power Entry (Filtered/Unfiltered)**

Voltage Selection: **Single**

Input Voltage Select: **Single AC**

Switch Type: **None**

Shield Style: **None**

[All CORCOM P SERIES MULTI-FUNCTION INLET FIL \(300\)](#)

Features

Product Type Features

Ground Choke Option	No
Level Of Filtering	Inductor & Capacitor
Ground Option	None
Filter Type	Power Entry (Filtered/Unfiltered)
Switch Type	None
Input Type	IEC
Output Type	.187" FASTON
Filtered	No
Type of Connector	IEC 60320-1 C-14
Accessory Type	Fuse Clip

Configuration Features

Extender Options	None
Voltage Selection	Single



Fuse Options	Dual
--------------	------

Electrical Characteristics

Input Voltage Select	Single AC
Leakage Current (Max) (120VAC, 60Hz)	2 μ A
Leakage Current (Max) (250VAC, 50Hz)	5 μ A
Voltage (Max)	115 VAC, 230 VAC

Body Features

Shield Style	None
--------------	------

Mechanical Attachment

Mount Angle	Vertical
Mount Style	Flanged

Dimensions

Panel Thickness Range	.79 – 2 mm [.031 – .079 in]
-----------------------	-----------------------------

Usage Conditions

Operating Temperature Range	-10 – 40 °C
-----------------------------	-------------

Operation/Application

For Use With	P Series
--------------	----------

Product Compliance

[For compliance documentation, visit the product page on TE.com>](#)

EU RoHS Directive 2011/65/EU	Compliant
EU ELV Directive 2000/53/EC	Compliant
China RoHS 2 Directive MIIT Order No 32, 2016	No Restricted Materials Above Threshold
EU REACH Regulation (EC) No. 1907/2006	Current ECHA Candidate List: JUL 2019 (201) Candidate List Declared Against: JUL 2019 (201) Does not contain REACH SVHC
EU REACH Regulation (EC) No. 1907/2006	Current ECHA Candidate List: JUL 2019 (201) Candidate List Declared Against: JUL 2019 (201)
Halogen Content	Not Low Halogen - contains Br or Cl > 900 ppm.
Solder Process Capability	Not applicable for solder process capability



Product Compliance Disclaimer

This information is provided based on reasonable inquiry of our suppliers and represents our current actual knowledge based on the information they provided. This information is subject to change. The part numbers that TE has identified as EU RoHS compliant have a maximum concentration of 0.1% by weight in homogenous materials for lead, hexavalent chromium, mercury, PBB, PBDE, DBP, BBP, DEHP, DIBP, and 0.01% for cadmium, or qualify for an exemption to these limits as defined in the Annexes of Directive 2011/65/EU (RoHS2). Finished electrical and electronic equipment products will be CE marked as required by Directive 2011/65/EU. Components may not be CE marked. Additionally, the part numbers that TE has identified as EU ELV compliant have a maximum concentration of 0.1% by weight in homogenous materials for lead, hexavalent chromium, and mercury, and 0.01% for cadmium, or qualify for an exemption to these limits as defined in the Annexes of Directive 2000/53/EC (ELV). Regarding the REACH Regulations, TE's information on SVHC in articles for this part number is still based on the European Chemical Agency (ECHA) 'Guidance on requirements for substances in articles' (Version: 2, April 2011), applying the 0.1% weight on weight concentration threshold at the finished product level. TE is aware of the European Court of Justice ruling of September 10th, 2015 also known as O5A (Once An Article Always An Article) stating that, in case of 'complex object', the threshold for a SVHC must be applied to both the product as a whole and simultaneously to each of the articles forming part of its composition. TE has evaluated this ruling based on the new ECHA "Guidance on requirements for substances in articles" (June 2017, version 4.0) and will be updating its statements accordingly.

Compatible Parts



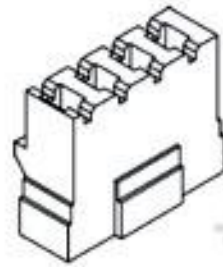
TE Model / Part # 1609142-1
GA400 POWER LINE
 CO=F6946



TE Model / Part # 1609140-3
PA105 J0=F6806



TE Model / Part # 1609140-1
PA100=F6800




TE Model / Part # 1609146-1
PA101 CONNECTOR
 PLU=F6998




TE Model / Part # 1609146-2
PA102 CONNECTOR
 PIN=F6999

Also in the Series | Corcom P



DC Filters(12)



Filter Accessories(4)



Multi-Function Inlet Filters (368)

Customers Also Bought



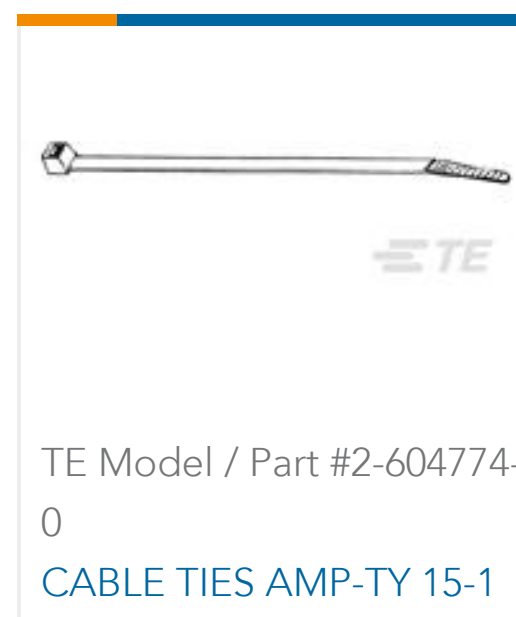
TE Model / Part #5-146134-3
08 MODII HDR DRST
SFMNT B/A



TE Model / Part #
YACT24MA35PAV00100
JAM NUT RECEPTACLE



TE Model / Part #
YDTS26F19-35SNC001
PLUG ASSY



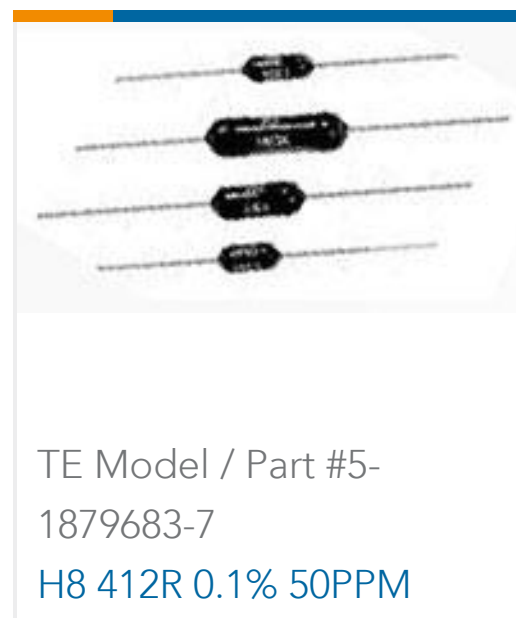
TE Model / Part #2-604774-0
CABLE TIES AMP-TY 15-1
/2" 1000P



TE Model / Part #2-604774-9
CABLE TIE,NATURAL,15-1
/2" 1000



TE Model / Part #534237-9
11 MODII VRT SR CE 100
/115



TE Model / Part #5-1879683-7
H8 412R 0.1% 50PPM

Documents

Product Drawings

[PE000D000=C4951](#)

English

CAD Files

[3D PDF](#)

English

Customer View Model

[ENG_CVM_3-6609956-7_A.3d_igs.zip](#)

English

Customer View Model

[ENG_CVM_3-6609956-7_A.3d_stp.zip](#)

English

Customer View Model

[ENG_CVM_3-6609956-7_A.2d_dxf.zip](#)

English

Datasheets & Catalog Pages

[1654001_CORCOM_PRODUCT_GUIDE](#)

English

[1-1654250-1_CORCOM_EMI_RFI_QRG](#)

English

[Corcom Combined Selector Charts](#)

English