



Connectors > Power Connectors > Power Contacts



Product Type: **Contact**

Operating Voltage: **600 VAC**

Wire Size: **.5 – 2 mm²**

Connector System: **Wire-to-Wire**

Features

Product Type Features

Product Type	Contact
Connector System	Wire-to-Wire
Connector & Contact Terminates To	Wire & Cable

Electrical Characteristics

Operating Voltage	600 VAC
-------------------	---------

Contact Features

Contact Current Rating (Max)	19 A
Contact Type	Socket
Contact Retention Within Housing	With
Contact Base Material	Brass
Contact Mating Area Plating Material	Gold
Contact Mating Area Plating Thickness	.76 μm[30 μin]
Contact Termination Area Plating Material	Gold
Contact Termination Area Plating Thickness	.76 μm[30 μin]
Wire Contact Termination Area Plating Material	Gold
Crimp Area Plating Thickness	.76 μm[30 μin]

Contact Orientation	Straight
Contact Underplating Material	Nickel
Underplate Material Thickness	1.27 μm [50 μin]
Contact Design	Solid

Termination Features

Termination Type	Crimp
------------------	-------

Mechanical Attachment

Contact Retention Type Within Housing	Locking Lance
Connector Mounting Type	Cable Mount (Free-Hanging)
Wire Insulation Support	Without

Dimensions

Wire Size	.5 – 2 mm ²
Mating Pin Diameter	2.13 mm[.084 in]
Accepts Wire Insulation Diameter Range	1.52 – 3.3 mm[.06 – .13 in]

Usage Conditions

Operating Temperature Range	-55 – 105 °C[-67 – 221 °F]
-----------------------------	----------------------------

Operation/Application

Circuit Application	Power
For Multiple Crimp	No

Industry Standards

CSA Rating	Certified
Glow Wire Rating	Standard Part - Not Glow Wire
VDE Tested	Yes
Agency/Standard	CSA, UL
CSA File Number	LR 16455
UL Rating	Recognized
UL File Number	E28476

Packaging Features

Packaging Method	Bag
Packaging Quantity	1000

Other

Wire/Cable Type	Discrete Wire
-----------------	---------------

Wire Type	Stranded
For Use With	Splash Proof Seal and Universal Mate-N-LOK Plug and Cap Housing

Product Compliance

[For compliance documentation, visit the product page on TE.com>](#)

EU RoHS Directive 2011/65/EU	Compliant
EU ELV Directive 2000/53/EC	Compliant
China RoHS 2 Directive MIIT Order No 32, 2016	No Restricted Materials Above Threshold
EU REACH Regulation (EC) No. 1907/2006	Current ECHA Candidate List: JUL 2019 (201) Candidate List Declared Against: JUL 2019 (201) Does not contain REACH SVHC
EU REACH Regulation (EC) No. 1907/2006	Current ECHA Candidate List: JUL 2019 (201) Candidate List Declared Against: JUL 2019 (201)
Halogen Content	Low Halogen - Br, Cl, F, I < 900 ppm per homogenous material. Also BFR/CFR/PVC Free
Solder Process Capability	Not applicable for solder process capability

Product Compliance Disclaimer

This information is provided based on reasonable inquiry of our suppliers and represents our current actual knowledge based on the information they provided. This information is subject to change. The part numbers that TE has identified as EU RoHS compliant have a maximum concentration of 0.1% by weight in homogenous materials for lead, hexavalent chromium, mercury, PBB, PBDE, DBP, BBP, DEHP, DIBP, and 0.01% for cadmium, or qualify for an exemption to these limits as defined in the Annexes of Directive 2011/65/EU (RoHS2). Finished electrical and electronic equipment products will be CE marked as required by Directive 2011/65/EU. Components may not be CE marked. Additionally, the part numbers that TE has identified as EU ELV compliant have a maximum concentration of 0.1% by weight in homogenous materials for lead, hexavalent chromium, and mercury, and 0.01% for cadmium, or qualify for an exemption to these limits as defined in the Annexes of Directive 2000/53/EC (ELV). Regarding the REACH Regulations, TE's information on SVHC in articles for this part number is still based on the European Chemical Agency (ECHA) 'Guidance on requirements for substances in articles' (Version: 2, April 2011), applying the 0.1% weight on weight concentration threshold at the finished product level. TE is aware of the European Court of Justice ruling of September 10th, 2015 also known as O5A (Once An Article Always An Article) stating that, in case of 'complex object', the threshold for a SVHC must be applied to both the product as a whole and simultaneously to each of the articles forming part of its composition. TE has evaluated this ruling based on the new ECHA "Guidance on requirements for substances in articles" (June 2017, version 4.0) and will be updating its statements accordingly.

Compatible Parts



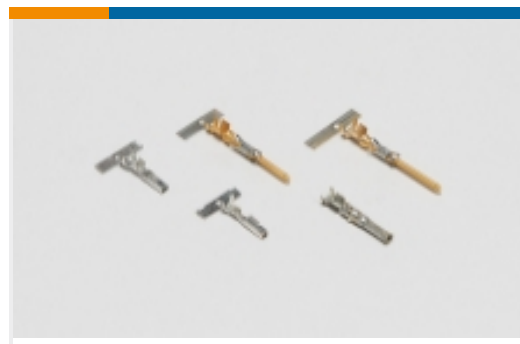
Also in the Series | **Universal MATE-N-LOK**



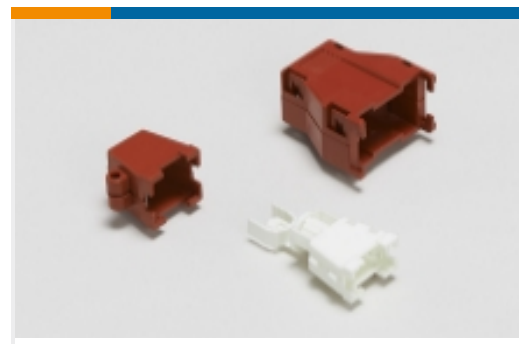
Circular Power Connectors
(2)



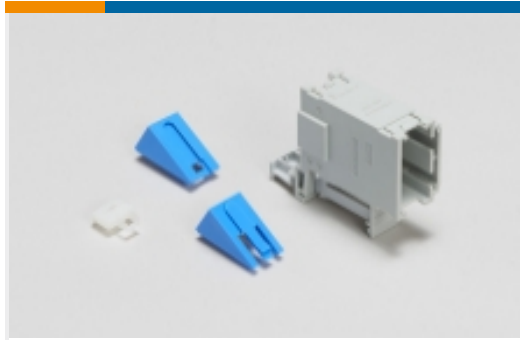
Connector Contacts(11)



Power Contacts(208)



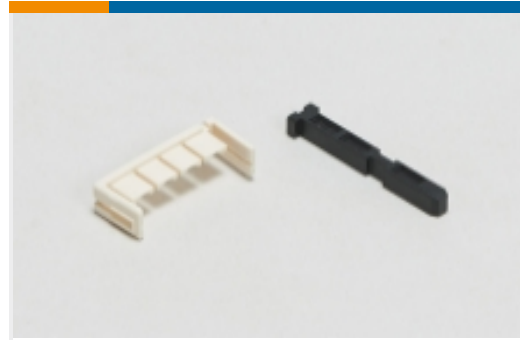
Rectangular Boots & Strain Relief(35)



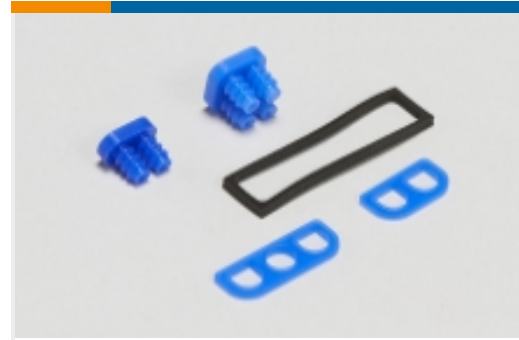
Rectangular Connector Adapters(7)



Rectangular Connector Housings(3)



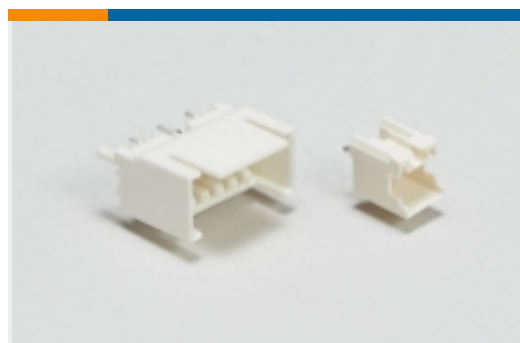
Rectangular Connector Keying Plugs(3)



Rectangular Connector Seals(26)



Rectangular Power Connectors(717)



Wire-to-Board Headers & Receptacles(3)

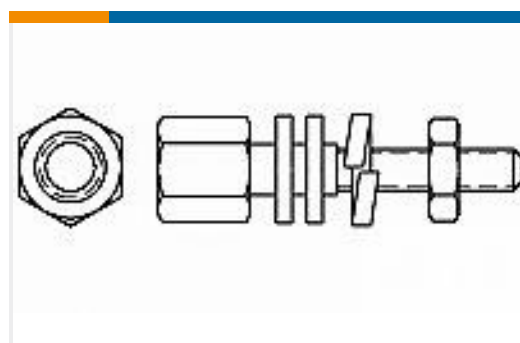
Customers Also Bought



TE Model / Part #5745171-5
AMPL CBL CLMP KIT SZ 1



TE Model / Part #1658683-1
HDP-22,RCPT,SIZE 3,44
POSN



TE Model / Part #5747223-3
AMPLI FEM S'LOCK KIT



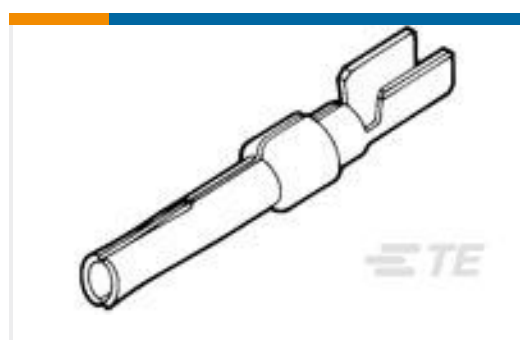
TE Model / Part #747784-8
JACKSCREW KIT,4-40,
BULK



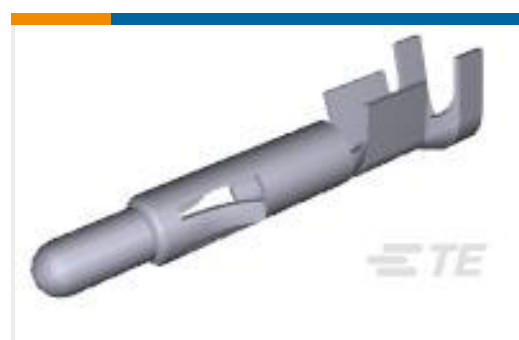
TE Model / Part #350690-2
UMNL PIN 24-18 AUBR L/P



TE Model / Part #350689-2
UMNL SOK 24-18 AUBR L/P



TE Model / Part #745230-4
20 DF SOCKET CONTACT
L.P.



TE Model / Part #350547-2
UMNL PIN 20-14 AUBR L/P



Documents

Product Drawings

CAD Files

3D PDF

English

Customer View Model

[ENG_CVM_350550-2_R.2d_dxf.zip](#)

English

Customer View Model

[ENG_CVM_350550-2_R.3d_igs.zip](#)

English

Customer View Model

[ENG_CVM_350550-2_R.3d_stp.zip](#)

English

Datasheets & Catalog Pages

[SOFT_SHELL_PIN_SOCKET_CONNECTORS_STANDARD_DENSITY](#)

English

Product Specifications

Engineering Report

English

Product Environmental Compliance

TE Material Declaration

English

Instruction Sheets

Instruction Sheet (U.S.)

English

Instruction Sheet (U.S.)

English