

350690-1 ✓ ACTIVE

MATE-N-LOK | Universal MATE-N-LOK

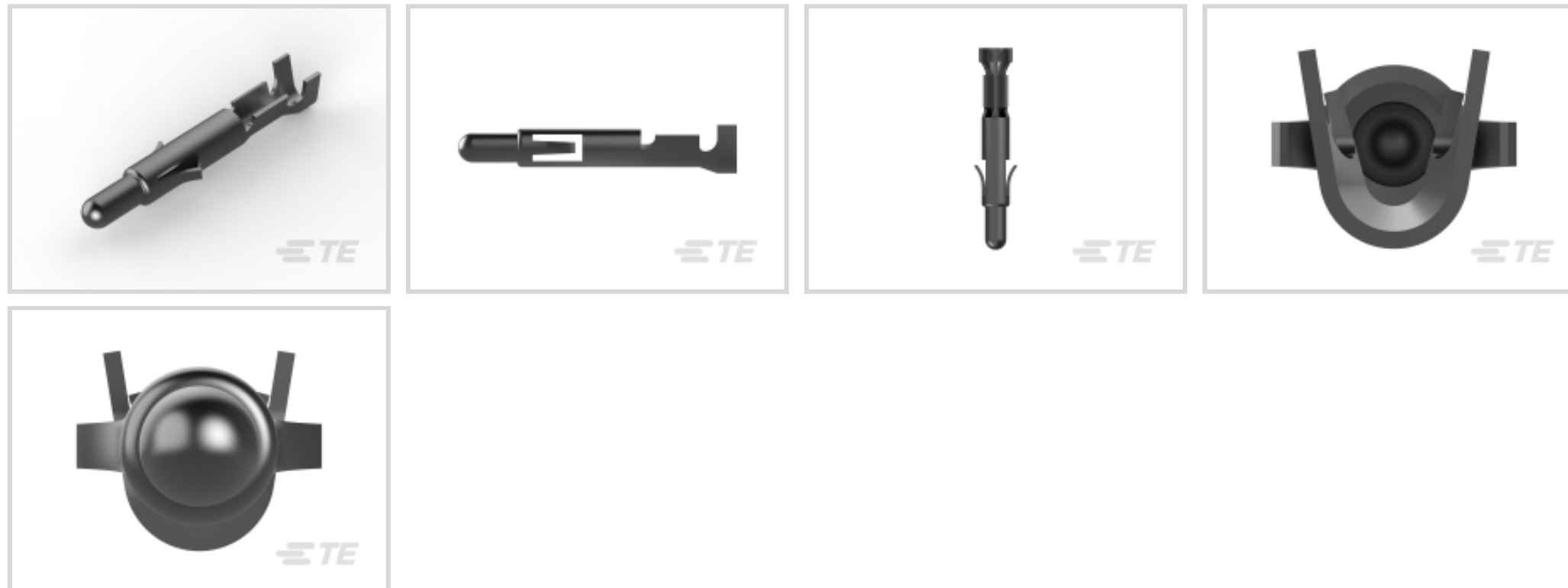
TE Internal #: 350690-1

TE Internal Description: UMNL PIN 24-18 PTPBR L/P

[View on TE.com >](#)



Connectors > Power Connectors > Power Contacts



Product Type: **Contact**

Operating Voltage: **600 VAC**

Wire Size: **.2 – .8 mm<sup>2</sup>**

Connector System: **Wire-to-Wire**

## Features

### Product Type Features

Product Type	Contact
Connector System	Wire-to-Wire
Connector & Contact Terminates To	Wire & Cable

### Electrical Characteristics

Operating Voltage	600 VAC
-------------------	---------

### Contact Features

Contact Current Rating (Max)	19 A
Contact Type	Pin
Contact Retention Within Housing	With
Contact Base Material	Brass
Contact Mating Area Plating Material	Pre-Tin
Contact Termination Area Plating Material	Pre-Tin
Wire Contact Termination Area Plating Material	Pre-Tin
Contact Orientation	Straight
Contact Design	Solid

### Termination Features

Termination Type	Crimp
------------------	-------

### Mechanical Attachment

Contact Retention Type Within Housing	Locking Lance
---------------------------------------	---------------

Connector Mounting Type	Cable Mount (Free-Hanging)
-------------------------	----------------------------

Wire Insulation Support	Without
-------------------------	---------

### Dimensions

Wire Size	.2 – .8 mm <sup>2</sup>
-----------	-------------------------

Mating Pin Diameter	2.13 mm [.084 in]
---------------------	-------------------

Accepts Wire Insulation Diameter Range	1.02 – 2.54 mm [.04 – .1 in]
--	------------------------------

### Usage Conditions

Operating Temperature Range	-55 – 105 °C [-67 – 221 °F]
-----------------------------	-----------------------------

### Operation/Application

Circuit Application	Power
---------------------	-------

For Multiple Crimp	No
--------------------	----

### Industry Standards

CSA Rating	Certified
------------	-----------

Glow Wire Rating	Standard Part - Not Glow Wire
------------------	-------------------------------

VDE Tested	Yes
------------	-----

Agency/Standard	CSA, UL
-----------------	---------

CSA File Number	LR 16455
-----------------	----------

UL Rating	Recognized
-----------	------------

UL File Number	E28476
----------------	--------

### Packaging Features

Packaging Method	Bag
------------------	-----

Packaging Quantity	1000
--------------------	------

### Other

Wire/Cable Type	Discrete Wire
-----------------	---------------

Wire Type	Stranded
-----------	----------

For Use With	Splash Proof Seal and Universal Mate-N-LOK Plug and Cap Housing
--------------	---

### Product Compliance

For compliance documentation, visit the product page on [TE.com](https://www.te.com)>



EU RoHS Directive 2011/65/EU	Compliant
EU ELV Directive 2000/53/EC	Compliant
China RoHS 2 Directive MIIT Order No 32, 2016	No Restricted Materials Above Threshold
EU REACH Regulation (EC) No. 1907/2006	Current ECHA Candidate List: JUL 2019 (201) Candidate List Declared Against: JUL 2019 (201) Does not contain REACH SVHC
EU REACH Regulation (EC) No. 1907/2006	Current ECHA Candidate List: JUL 2019 (201) Candidate List Declared Against: JUL 2019 (201)
Halogen Content	Low Halogen - Br, Cl, F, I < 900 ppm per homogenous material. Also BFR/CFR/PVC Free
Solder Process Capability	Not applicable for solder process capability

Product Compliance Disclaimer

This information is provided based on reasonable inquiry of our suppliers and represents our current actual knowledge based on the information they provided. This information is subject to change. The part numbers that TE has identified as EU RoHS compliant have a maximum concentration of 0.1% by weight in homogenous materials for lead, hexavalent chromium, mercury, PBB, PBDE, DBP, BBP, DEHP, DIBP, and 0.01% for cadmium, or qualify for an exemption to these limits as defined in the Annexes of Directive 2011/65/EU (RoHS2). Finished electrical and electronic equipment products will be CE marked as required by Directive 2011/65/EU. Components may not be CE marked. Additionally, the part numbers that TE has identified as EU ELV compliant have a maximum concentration of 0.1% by weight in homogenous materials for lead, hexavalent chromium, and mercury, and 0.01% for cadmium, or qualify for an exemption to these limits as defined in the Annexes of Directive 2000/53/EC (ELV). Regarding the REACH Regulations, TE's information on SVHC in articles for this part number is still based on the European Chemical Agency (ECHA) 'Guidance on requirements for substances in articles' (Version: 2, April 2011), applying the 0.1% weight on weight concentration threshold at the finished product level. TE is aware of the European Court of Justice ruling of September 10th, 2015 also known as O5A (Once An Article Always An Article) stating that, in case of 'complex object', the threshold for a SVHC must be applied to both the product as a whole and simultaneously to each of the articles forming part of its composition. TE has evaluated this ruling based on the new ECHA "Guidance on requirements for substances in articles" (June 2017, version 4.0) and will be updating its statements accordingly.

### Compatible Parts

TE Model / Part # 91510-1  
CERTICRIMP 2,SAHT  
UMNL24-18

TE Model / Part # 1804030-1  
EXTRACTION TOOL ASSY

TE Model / Part # 455830-1  
INSERTION TOOL

TE Model / Part # 1-480705-2  
06P UNML CAP HSG RED



TE Model / Part # 1-480708-9  
12P UMNL PLUG HSG BLK



TE Model / Part # 350784-1  
15P UMNL CAP HSG



TE Model / Part # 926307-3  
6P UN-MNL AUFN-GEH



TE Model / Part # 1-480704-2  
06P UMNL PLUG HSG RED



TE Model / Part # 926302-1  
10& UNIV.M-N-L.PLUG



TE Model / Part # 1-350777-2  
02P UMNL V0 PLUG HSG RED



TE Model / Part # 350783-1  
12P UMNL CAP HSG



TE Model / Part # 1-350778-9  
02P UMNL V0 CAP HSG BLACK



TE Model / Part # 350735-1  
12P UMNL PLUG HSG



TE Model / Part # 926302-3  
10P UN-MNL STECKGEH



TE Model / Part # 926308-3  
8P UN-MNL AUFN-GEH



TE Model / Part # 350736-1  
15P UMNL PLUG HSG



TE Model / Part # 1-350766-2  
03P UMNL V0 PLUG HSG RED



TE Model / Part # 1-480701-4  
03P UMNL CAP HSG YELL




TE Model / Part # 640585-1  
06P UMNL PLUG HSG V2 NATL




TE Model / Part # 926308-1  
8P UNIV.M-N-L.CAP


Also in the Series | **Universal MATE-N-LOK**



Circular Power Connectors (2)



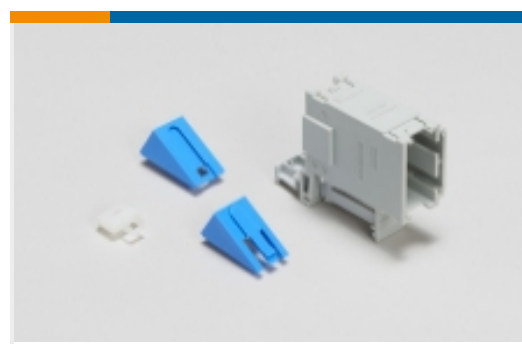
Connector Contacts(11)



Power Contacts(208)



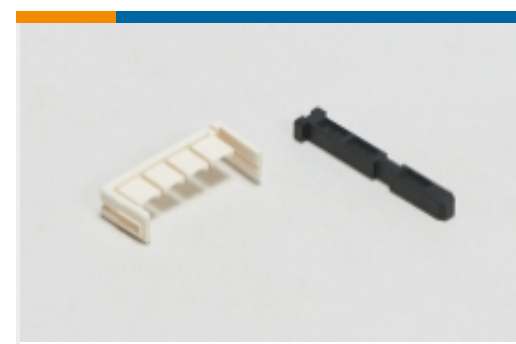
Rectangular Boots & Strain Relief(35)



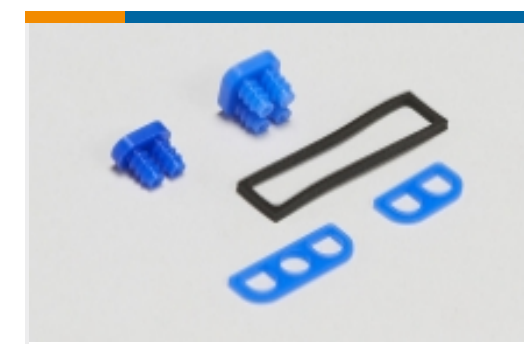
Rectangular Connector  
Adapters(7)



Rectangular Connector  
Housings(3)



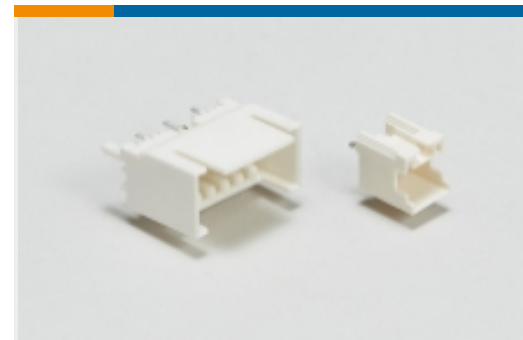
Rectangular Connector  
Keying Plugs(3)



Rectangular Connector  
Seals(26)

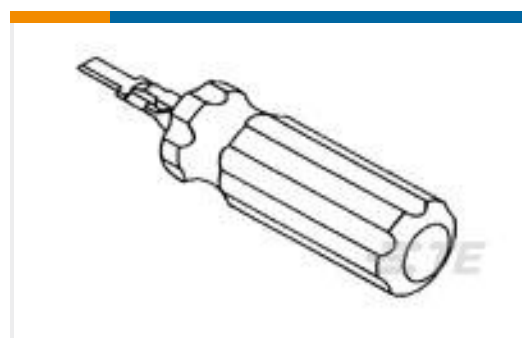


Rectangular Power  
Connectors(717)



Wire-to-Board Headers &  
Receptacles(3)

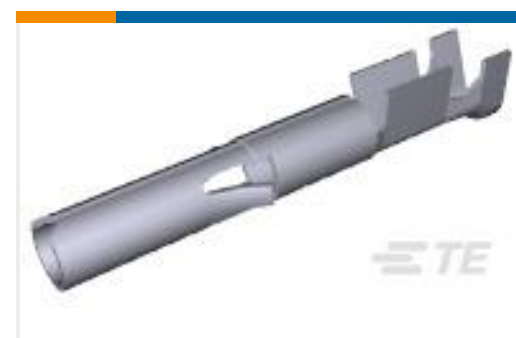
## Customers Also Bought



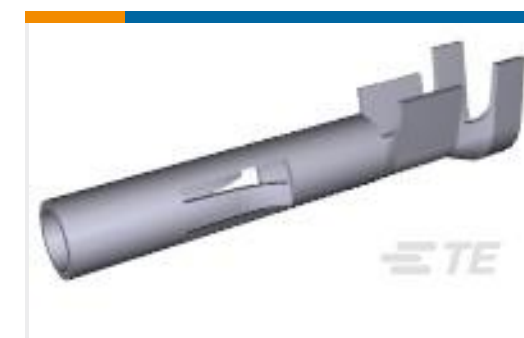
TE Model / Part #1804030-1  
EXTRACTION TOOL ASSY



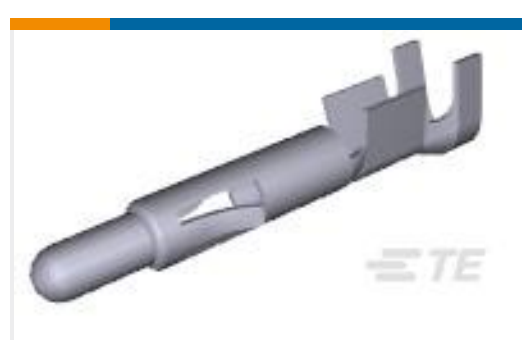
TE Model / Part #205204-9  
CRIMP SNAP PLUG ASSY,  
SIZE 1



TE Model / Part #350689-1  
UMNL SOK 24-18 PTPBR L  
/P



TE Model / Part #350550-1  
UMNL SOK 20-14 PTPBR L  
/P



TE Model / Part #350547-1  
UMNL PIN 20-14 PTPBR L  
/P



TE Model / Part #1-480699-  
0  
02P UMNL CAP HSG NATL



TE Model / Part #1-480698-  
0  
02P UMNL PLUG HSG  
NATL



TE Model / Part #1-480700-  
0  
03P UMNL PLUG HSG  
NATL

## Documents

### Product Drawings

#### CAD Files

Customer View Model

[ENG\\_CVM\\_350690-1\\_N.2d\\_dxf.zip](#)

English

Customer View Model

[ENG\\_CVM\\_350690-1\\_N.3d\\_igs.zip](#)

English



**Customer View Model**

[ENG\\_CVM\\_350690-1\\_N.3d\\_stp.zip](#)

English

[3D PDF](#)

English

---

**Datasheets & Catalog Pages**

[SOFT\\_SHELL\\_PIN\\_SOCKET\\_CONNECTORS\\_STANDARD\\_DENSITY](#)

English

---

**Product Specifications**

[Engineering Report](#)

English

---

**Product Environmental Compliance**

[TE Material Declaration](#)

English

---

**Instruction Sheets**

[Instruction Sheet \(U.S.\)](#)

English