



Power Systems > Power Cable Accessories > Power Cable Breakouts



Product Availability: AMERICAS, ANZPAC, ASIA, EMEA

Voltage Rating: ≤ 1 kV

Technology: Heat Shrink

Product Type: Cable Breakout Boot

Application Diameter (Min) (Body): 18 mm [.7 in]

Features

Product Type Features

Coating Style	Planar, Spiral
Component Design	Heat Shrink
Material System	Crosslinked Polyolefin
Technology	Heat Shrink
Product Type	Cable Breakout Boot
Adhesive Coating	Yes
Shrink Ratio	> 2.5:1
Wall Style (Excluding Adhesive)	Single

Configuration Features

Number of Branches/Legs	4
-------------------------	---

Electrical Characteristics

Voltage Rating	≤ 1 kV
----------------	-------------

Body Features

Color	Black
Flexibility	Semi-Rigid

Mechanical Attachment

Mechanical Reinforcement	No
--------------------------	----

Dimensions

Application Diameter (Min) (Body)	18 mm[.7 in]
Application Diameter (Max) (Body)	32 mm[1.25 in]
Application Diameter (Min) (Leg)	4 mm[.15 in]
Application Diameter (Max) (Leg)	11 mm[.45 in]
Expanded Inside Diameter (Min) (Body)	45 mm[1.77 in]
Expanded Inside Diameter (Min) (Leg)	14 mm[.55 in]
Leg Length	25 mm[.98 in]
Overall Length	97 mm[3.82 in]
Recovered Inside Diameter (Max) (Body)	16.5 mm[.65 in]
Recovered Inside Diameter (Max) (Leg)	3.5 mm[.14 in]
Recovered Wall Thickness (Max) (Body)	2.5 mm[.1 in]
Recovered Wall Thickness (Max) (Leg)	1.9 mm[.07 in]
Body Length	73 mm[2.87 in]
Wall Thickness	Thick/Heavy

Usage Conditions

Flammability	Non-Flame-Retardant
Environmental Resistance	Moisture, Weathering, Rain, Salt Water, Contaminated Water ...
Chemical Resistance	Transformer Oil & Hydrocarbons (Both, Depending on Type, Conditions & Exposure Time)

Operation/Application

Emission Free	No
Thermal Resistance	Applicable for Low Temperatures, Applicable for High Temperatures, Flame-Retardant
Marine-Offshore-Shipbuilding Certified	No
Free of Lead, Cadmium, Heavy Metals	Yes
Non-Toxic & Non-Corrosive Emission	Yes
Low Smoke Emission	Yes
Mechanical Resistance	Against Mechanical Impact
UV-Stabilized	Yes

Industry Standards

CSA Certified	No
UL Rating	No

Product Availability

Minimum Order Quantity	3
Product Availability	AMERICAS, ANZPAC, ASIA, EMEA

Packaging Features

Standard Pack	3
---------------	---

Other

Other Colors Available	No
------------------------	----

Product Compliance

[For compliance documentation, visit the product page on TE.com>](#)

EU RoHS Directive 2011/65/EU	Compliant
EU ELV Directive 2000/53/EC	Compliant
China RoHS 2 Directive MIIT Order No 32, 2016	No Restricted Materials Above Threshold
EU REACH Regulation (EC) No. 1907/2006	Current ECHA Candidate List: JUL 2019 (201) Candidate List Declared Against: JUL 2019 (201) Does not contain REACH SVHC
EU REACH Regulation (EC) No. 1907/2006	Current ECHA Candidate List: JUL 2019 (201) Candidate List Declared Against: JUL 2019 (201)
Halogen Content	Low Halogen - Br, Cl, F, I < 900 ppm per homogenous material. Also BFR/CFR/PVC Free
Solder Process Capability	Not applicable for solder process capability

Product Compliance Disclaimer

This information is provided based on reasonable inquiry of our suppliers and represents our current actual knowledge based on the information they provided. This information is subject to change. The part numbers that TE has identified as EU RoHS compliant have a maximum concentration of 0.1% by weight in homogenous materials for lead, hexavalent chromium, mercury, PBB, PBDE, DBP, BBP, DEHP, DIBP, and 0.01% for cadmium, or qualify for an exemption to these limits as defined in the Annexes of Directive 2011/65/EU (RoHS2). Finished electrical and electronic equipment products will be CE marked as required by Directive 2011/65/EU. Components may not be CE marked. Additionally, the part numbers that TE has identified as EU ELV compliant have a maximum concentration of 0.1% by weight in homogenous materials for lead, hexavalent chromium, and mercury, and 0.01% for cadmium, or qualify for an exemption to these limits as defined in the Annexes of Directive 2000/53/EC (ELV). Regarding the REACH Regulations, TE's information on SVHC in articles for this part number is still based on the European Chemical Agency (ECHA) 'Guidance on requirements for substances in articles' (Version: 2, April 2011), applying the 0.1% weight on weight concentration threshold at the finished product level. TE is aware of the European Court of Justice ruling of September 10th, 2015 also known as O5A (Once An Article Always An Article) stating that, in case of 'complex object', the threshold for a SVHC must be applied to both the product as a whole and simultaneously to each of the articles forming part of its composition. TE has evaluated this ruling based on the new ECHA "Guidance on requirements for substances in articles" (June 2017, version 4.0) and will be updating its statements accordingly.

Also in the Series | Raychem CBR



Power Cable Breakouts(13)

Customers Also Bought



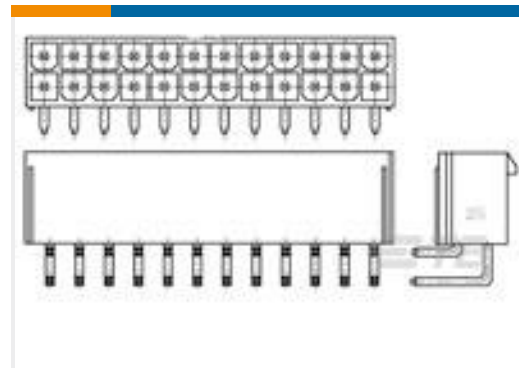
TE Model / Part #EE1129-000
CPGI-RNF-100-1/4-0-96IN



TE Model / Part #775717-000
CBR-4-2-A-(B3)



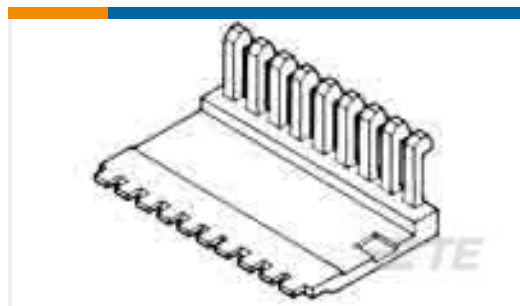
TE Model / Part #4-2213819-9
6X6 ILL TACT SMT 520GF LI BLUE



TE Model / Part #1-1586863-2
12P VAL-U-LOK R/A HDR GW



TE Model / Part #1218444-4
R/A PLG ASSY 37 POS SER 109



TE Model / Part #3-102536-0
64 AMPMODU MT COVER DR .100CL



TE Model / Part #382515-000
44A4121-24-0/9-9



TE Model / Part #58519-1
PRO-CRIMPER ASSEMBLY FSD



TE Model / Part #
YACT26MC35HNV00100
STRAIGHT PLUG



TE Model / Part #
5660094006
SFR-1-1/2-0-SP

Documents

Datasheets & Catalog Pages

[CBR-BREAKOUT-BOOT-CABLE-ACCESSORIES](#)

English

Instruction Sheets

[Instruction Sheet \(U.S.\)](#)



English