



DEUTSCH | DEUTSCH Common Contact

TE Internal #: 1062-20-0244

TE Internal Description: SOC, SF, SIZE 20, 16-22AWG, AU

DEUTSCH STAMPED & FORMED CONTACTS

[View on TE.com >](#)

Terminals & Splices > Automotive, Truck, Bus, & Off-Road Terminals > DEUTSCH STAMPED & FORMED CONTACTS



Terminal & Splice Type: **Socket**

Mating Pin Diameter: **1 mm [.039 in]**

Terminal Transmits: **0 – 24 A (Low Power)**

Wire Size: **.5 – 1.5 mm²**

[All DEUTSCH STAMPED & FORMED CONTACTS \(45\)](#)

Features

Product Type Features

Sealable	No
Wire Type	Copper

Contact Features

Typical Current Rating	7.5 A
Crimp Type	F-Crimp
Terminal & Splice Type	Socket
Mating Pin Diameter	1 mm [.039 in]
Interface Plating	Gold (Au)
Contact Termination Area Plating Material	Gold (Au)

Termination Features

Termination Method	Crimp
--------------------	-------

Dimensions

Wire Size	.5 – 1.5 mm ²
Wire Size Search	.35 mm ² , .4 mm ² , .5 mm ² , .6 mm ² , .75 mm ² , .85 mm ² , 1 mm ² , 1.25 mm ² , 1.3 mm ²
Wire Insulation Diameter	1.3 – 2.16 mm [.051 – .085 in]

Usage Conditions

Operating Temperature Range	-55 – 125 °C [-67 – 257 °F]
-----------------------------	-----------------------------

Packaging Features

Packaging Method	Reel
Packaging Quantity	4000

Other

Customer Preferred Contact	No
Terminal Transmits	0 – 24 A (Low Power)

Product Compliance

[For compliance documentation, visit the product page on TE.com>](#)

EU RoHS Directive 2011/65/EU	Compliant
EU ELV Directive 2000/53/EC	Compliant
China RoHS 2 Directive MIIT Order No 32, 2016	No Restricted Materials Above Threshold
EU REACH Regulation (EC) No. 1907/2006	Current ECHA Candidate List: JUL 2019 (201) Candidate List Declared Against: JUN 2018 (191) Does not contain REACH SVHC
EU REACH Regulation (EC) No. 1907/2006	Current ECHA Candidate List: JUL 2019 (201) Candidate List Declared Against: JUN 2018 (191)
Halogen Content	Low Halogen - Br, Cl, F, I < 900 ppm per homogenous material. Also BFR/CFR/PVC Free
Solder Process Capability	Not reviewed for solder process capability

Product Compliance Disclaimer

This information is provided based on reasonable inquiry of our suppliers and represents our current actual knowledge based on the information they provided. This information is subject to change. The part numbers that TE has identified as EU RoHS compliant have a maximum concentration of 0.1% by weight in homogenous materials for lead, hexavalent chromium, mercury, PBB, PBDE, DBP, BBP, DEHP, DIBP, and 0.01% for cadmium, or qualify for an exemption to these limits as defined in the Annexes of Directive 2011/65/EU (RoHS2). Finished electrical and electronic equipment products will be CE marked as required by Directive 2011/65/EU. Components may not be CE marked. Additionally, the part numbers that TE has identified as EU ELV compliant have a maximum concentration of 0.1% by weight in homogenous materials for lead, hexavalent chromium, and mercury, and 0.01% for cadmium, or qualify for an exemption to these limits as defined in the Annexes of Directive 2000/53/EC (ELV). Regarding the REACH Regulations, TE's information on SVHC in articles for this part number is still based on the European Chemical Agency (ECHA) 'Guidance on requirements for substances in articles' (Version: 2, April 2011), applying the 0.1% weight on weight concentration threshold at the finished product level. TE is aware of the European Court of Justice ruling of September 10th, 2015 also known as O5A (Once An Article Always An Article) stating that, in case of 'complex object', the threshold for a SVHC must be applied to both the product as a whole and simultaneously to each of the articles forming part of its composition. TE has evaluated this ruling based on the new ECHA "Guidance on requirements for substances in articles" (June 2017, version 4.0) and will be updating its statements accordingly.

Compatible Parts



TE Model / Part # CAT-H3930-CH8172
DEUTSCH HD30
HOUSINGS



TE Model / Part # CAT-H396-CH8172
DEUTSCH HDP20
HOUSINGS



TE Model / Part # CAT-D799-CH8172
DEUTSCH DRC
HOUSINGS



TE Model / Part # CAT-D485-CH8172
DEUTSCH DTM
HOUSINGS



TE Model / Part # CAT-D781-CH8172
DEUTSCH DRB HOUSINGS



TE Model / Part # DTT-20-02
CRIMP TOOL



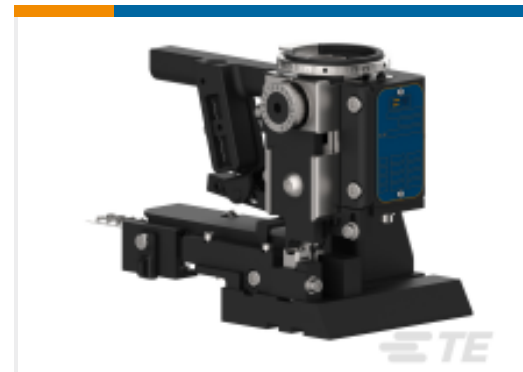
TE Model / Part # DRCP28-86SA
PLG, 86P, BLK, 12/20, A



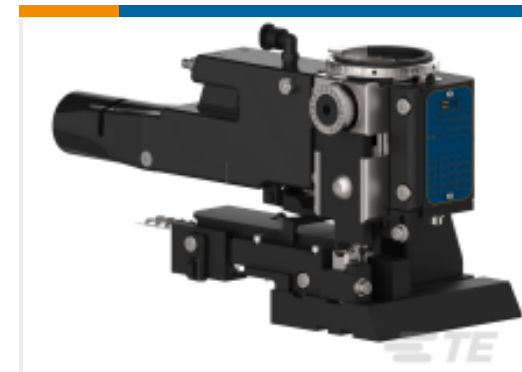
TE Model / Part # CAT-D48-SFT273
DEUTSCH STAMPED &
FORMED CONTACTS



TE Model / Part # 2266120-1
OCEAN_2.0_APPLICATOR-S-069F052O



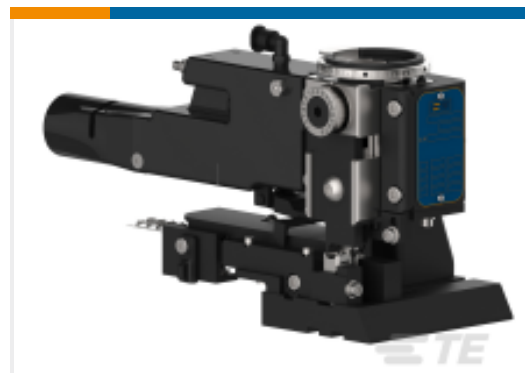
TE Model / Part # 2-2266119-1
OCEAN_2.0_APPLICATOR-S-069F068O



TE Model / Part # 2-2266119-2
OCEAN_2.0_APPLICATOR-S-069F068O



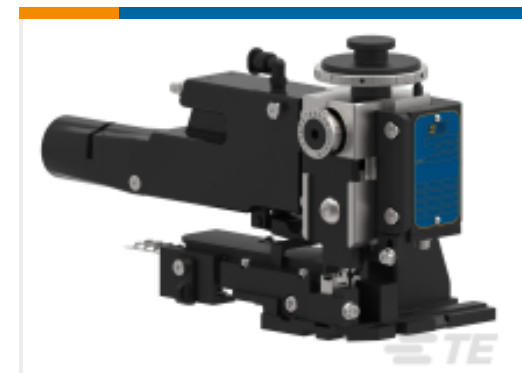
TE Model / Part # 2-2266120-1
OCEAN_2.0_APPLICATOR-S-069F052O



TE Model / Part # 2-2266120-2
OCEAN_2.0_APPLICATOR-S-069F052OA



TE Model / Part # 2266119-1
OCEAN_2.0_APPLICATOR-S-069F068O



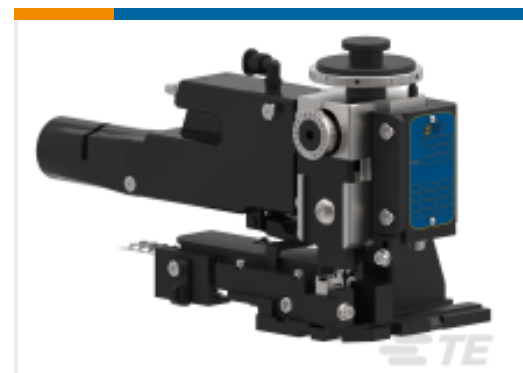
TE Model / Part # 2266119-2
OCEAN_2.0_APPLICATOR-S-069F068O



TE Model / Part # 2266120-2
OCEAN_2.0_APPLICATOR-S-069F052OA



TE Model / Part # 5-2266119-1
OCEAN_2.0_APPLICATOR-S-069F068O



TE Model / Part # 5-2266119-2
OCEAN_2.0_APPLICATOR-S-069F068O



TE Model / Part # 5-2266120-1
OCEAN_2.0_APPLICATOR-S-069F052O



TE Model / Part # 5-2266120-2
OCEAN_2.0_APPLICATOR-S-069F052OA

Also in the Series | **DEUTSCH Common Contact**



Automotive, Truck, Bus, & Off-Road Terminals(89)

Documents

Product Drawings

[SOC, SF, SIZE 20, 16-22AWG, AU](#)

English

CAD Files

[3D PDF](#)

3D

Customer View Model

[ENG_CVM_CVM_1062-20-0244_D.2d_dxf.zip](#)

English

Customer View Model

[ENG_CVM_CVM_1062-20-0244_D.3d_igs.zip](#)

English

Customer View Model

[ENG_CVM_CVM_1062-20-0244_D.3d_stp.zip](#)

English

Datasheets & Catalog Pages

[CONNECTOR SELECTOR](#)

English

Product Specifications

[Application Specification](#)

English

Product Environmental Compliance

[TE Material Declaration](#)

English