



ENGLISH

Datasheet

RS Article:1835708

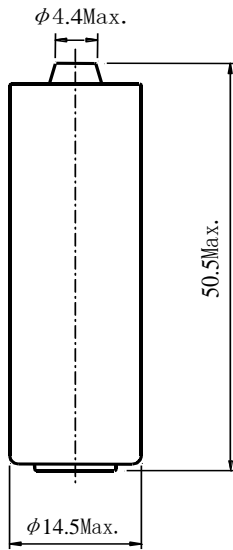
## RS PRO Lithium Thionyl Chloride Battery



## ► MODEL NO.: ER14505

### ■ SPECIFICATION: ( $23 \pm 2^\circ\text{C}$ )

Nominal capacity (2mA~2V):	2.4 A h
Rated voltage:	3.6 V
Max constant current of discharge:	100 mA
Max discharge current (pulse):	200mA
Weight:	22 g
Operating temperature range:	-55~85°C



S: Standard termination

#### Notes:

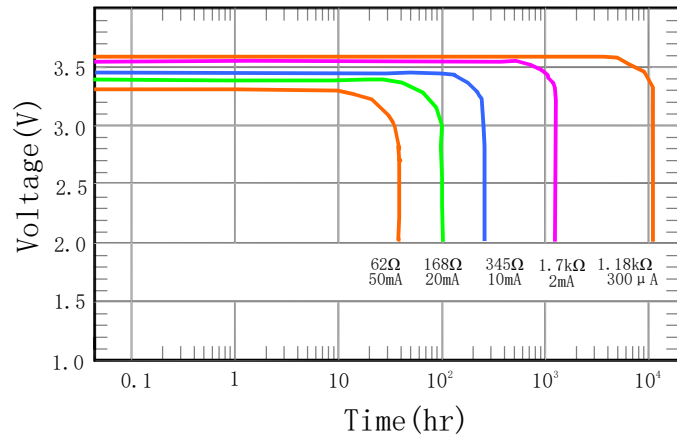
Dimension: mm  
Special terminations can be Made as requested.

#### Warning

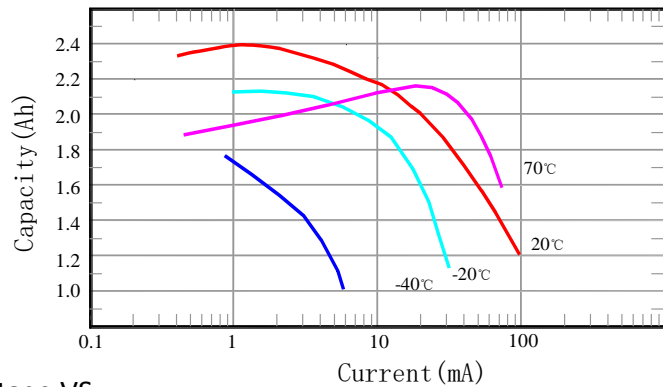
- Fire, explosion, and burn hazard.
- Do not recharge, short circuit, over discharge, crush, disassemble, heat above 100 incinerate.
- Do not use the battery beyond permitted temperature.
- Do not place in a packet.

### ■ Discharge characteristics at $23 \pm 2^\circ\text{C}$

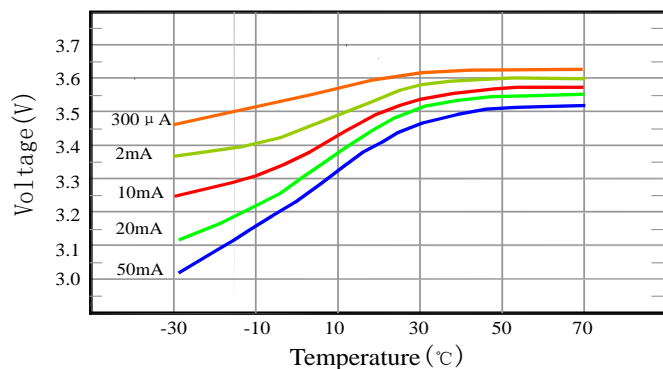
UL



### ■ Capacity VS. Current



### ■ Voltage VS.



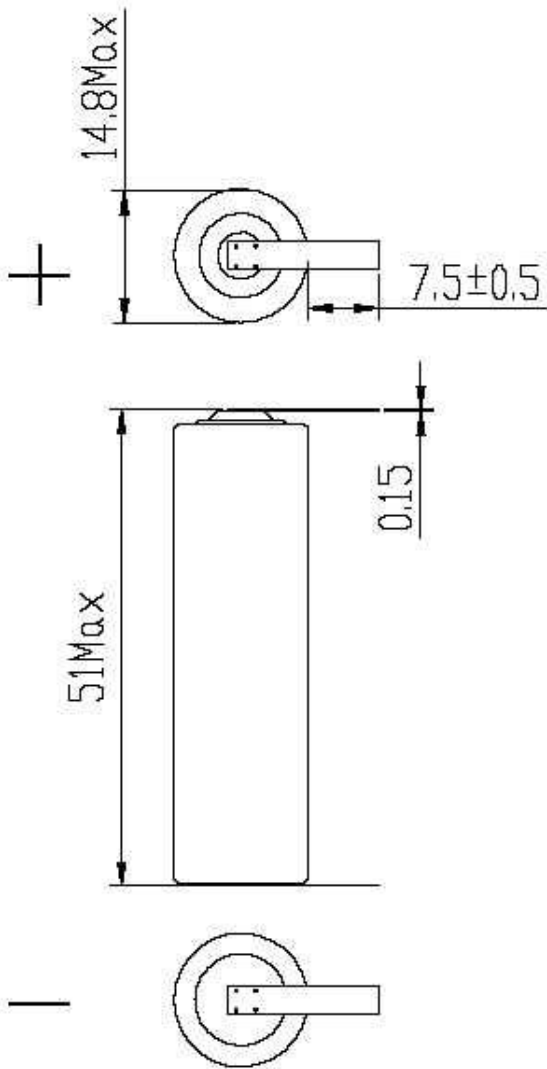
#### Benefits:

- High Energy density
- High Voltage stable during most of applications lifetime
- Wide range of operating temperature (-55°C +85°C)
- Long storage life
- Low self-discharge rate 1% per year at 20°C
- Long Shelf life due to its full-sealing structure: It can be stored for more than 15 years.

#### Main application

- Intelligent Instrument and meter
- Memory and standby power
- Alarms and security devices
- Automotive electronics
- Electronic toll collection
- Military devices

Pack Drawing



ER14505 183-5709