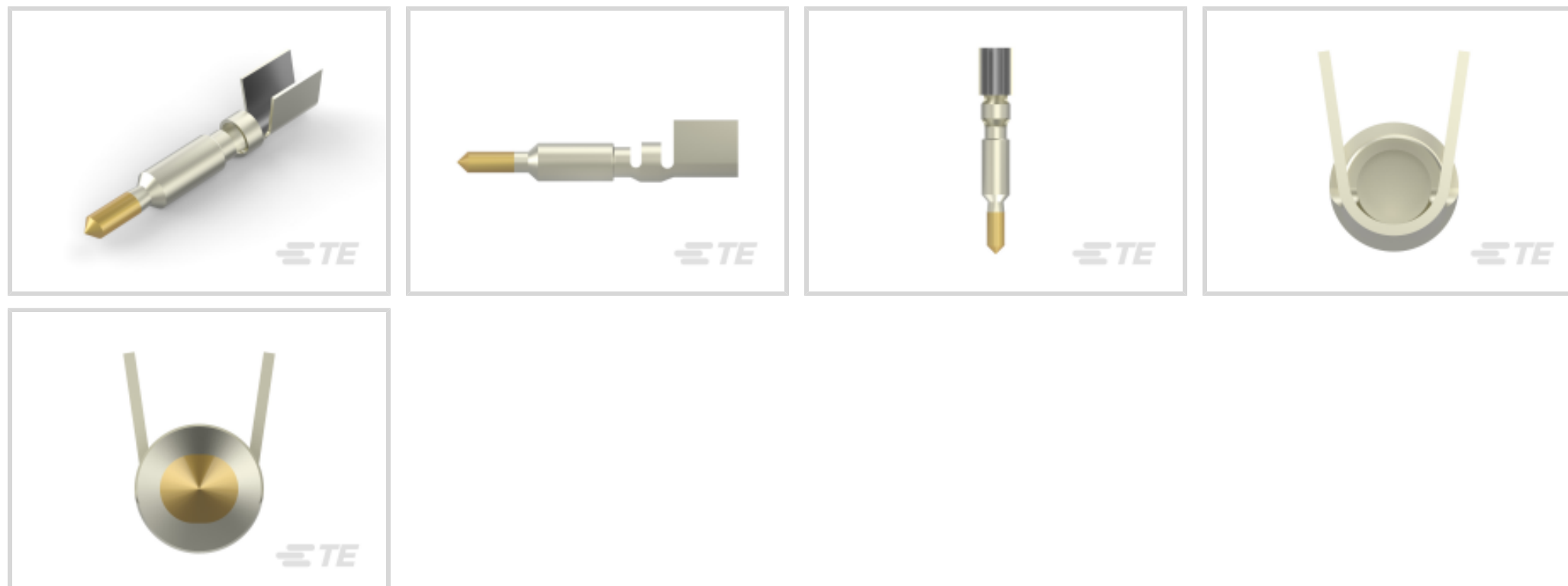




Connectors > Power Connectors > Power Contacts



Product Type: **Contact**

Operating Voltage: **600 VAC**

Wire Size: **3 – 6 mm²**

Connector System: **Wire-to-Wire**

Features

Product Type Features

Product Type	Contact
Connector System	Wire-to-Wire
Connector & Contact Terminates To	Wire & Cable

Electrical Characteristics

Operating Voltage	600 VAC
-------------------	---------

Contact Features

Contact Current Rating (Max)	7 A
Contact Type	Pin
Contact Retention Within Housing	Without
Contact Base Material	Phosphor Bronze
Contact Mating Area Plating Material	Gold
Contact Mating Area Plating Thickness	.76 μm[30 μin]
Contact Termination Area Plating Material	Tin
Contact Termination Area Plating Thickness	1.27 μm[50 μin]
Wire Contact Termination Area Plating Material	Tin
Crimp Area Plating Thickness	1.27 μm[50 μin]



Contact Orientation	Straight
Contact Underplating Material	Nickel
Underplate Material Thickness	1.27 μm [50 μin]

Termination Features

Termination Type	Crimp
------------------	-------

Mechanical Attachment

Connector Mounting Type	Cable Mount (Free-Hanging)
Wire Insulation Support	Without

Dimensions

Wire Size	3 – 6 mm^2
Mating Pin Diameter	2.18 mm [.086 in]
Accepts Wire Insulation Diameter Range	5.08 mm [.2 in]

Usage Conditions

Operating Temperature Range	-55 – 120 $^{\circ}\text{C}$ [-67 – 248 $^{\circ}\text{F}$]
-----------------------------	--

Operation/Application

Circuit Application	Power
For Multiple Crimp	No

Industry Standards

CSA Rating	Certified
Glow Wire Rating	Standard Part - Not Glow Wire
VDE Tested	Yes
Agency/Standard	CSA, UL
CSA File Number	LR 7189
UL Rating	Recognized
UL File Number	E28476

Packaging Features

Packaging Method	Bag
Packaging Quantity	1000

Other

Wire/Cable Type	Discrete Wire
Wire Type	Stranded
For Use With	Standard Universal MATE-N-LOK(Socket)



Product Compliance

[For compliance documentation, visit the product page on TE.com>](#)

EU RoHS Directive 2011/65/EU	Compliant
EU ELV Directive 2000/53/EC	Compliant
China RoHS 2 Directive MIIT Order No 32, 2016	No Restricted Materials Above Threshold
EU REACH Regulation (EC) No. 1907/2006	Current ECHA Candidate List: JUL 2019 (201) Candidate List Declared Against: JUL 2019 (201) Does not contain REACH SVHC
EU REACH Regulation (EC) No. 1907/2006	Current ECHA Candidate List: JUL 2019 (201) Candidate List Declared Against: JUL 2019 (201)
Halogen Content	Low Halogen - Br, Cl, F, I < 900 ppm per homogenous material. Also BFR/CFR/PVC Free
Solder Process Capability	Not applicable for solder process capability

Product Compliance Disclaimer

This information is provided based on reasonable inquiry of our suppliers and represents our current actual knowledge based on the information they provided. This information is subject to change. The part numbers that TE has identified as EU RoHS compliant have a maximum concentration of 0.1% by weight in homogenous materials for lead, hexavalent chromium, mercury, PBB, PBDE, DBP, BBP, DEHP, DIBP, and 0.01% for cadmium, or qualify for an exemption to these limits as defined in the Annexes of Directive 2011/65/EU (RoHS2). Finished electrical and electronic equipment products will be CE marked as required by Directive 2011/65/EU. Components may not be CE marked. Additionally, the part numbers that TE has identified as EU ELV compliant have a maximum concentration of 0.1% by weight in homogenous materials for lead, hexavalent chromium, and mercury, and 0.01% for cadmium, or qualify for an exemption to these limits as defined in the Annexes of Directive 2000/53/EC (ELV). Regarding the REACH Regulations, TE's information on SVHC in articles for this part number is still based on the European Chemical Agency (ECHA) 'Guidance on requirements for substances in articles' (Version: 2, April 2011), applying the 0.1% weight on weight concentration threshold at the finished product level. TE is aware of the European Court of Justice ruling of September 10th, 2015 also known as O5A (Once An Article Always An Article) stating that, in case of 'complex object', the threshold for a SVHC must be applied to both the product as a whole and simultaneously to each of the articles forming part of its composition. TE has evaluated this ruling based on the new ECHA "Guidance on requirements for substances in articles" (June 2017, version 4.0) and will be updating its statements accordingly.

Compatible Parts



TE Model / Part # 539972-1
EXTRACTION TOOL



TE Model / Part # 455830-1
INSERTION TOOL



TE Model / Part # 770022-1
12P UMNLII IN-LNE PLUG
HSG KIT



TE Model / Part # 770019-1
04P UMNLII IN-LNE PLUG
HSG KIT



TE Model / Part # 770028-1
09P UMNLII IN-LINE CAP
HSG KIT



TE Model / Part # 770016-1
05P UMNLII IN-LNE PLUG
HSG KIT



TE Model / Part # 770026-1
04P UMNLII IN-LINE CAP
HSG KIT



TE Model / Part # 770024-1
02P UMNLII IN-LINE CAP
HSG KIT



TE Model / Part # 770029-1
12P UMNLII IN-LINE CAP
HSG KIT



TE Model / Part # 770021-1
09P UMNLII IN-LNE PLUG
HSG KIT



TE Model / Part # 770030-1
15P UMNLII IN-LINE CAP
HSG KIT



TE Model / Part # 770018-1
03P UMNLII IN-LNE PLUG
HSG KIT



TE Model / Part # 770027-1
06P UMNLII IN-LINE CAP
HSG KIT



TE Model / Part # 770025-1
03P UMNLII IN-LINE CAP
HSG KIT



TE Model / Part # 770017-1
02P UMNLII IN-LNE PLUG
HSG KIT



TE Model / Part # 770020-1
06P UMNLII IN-LNE PLUG
HSG KIT



TE Model / Part # 770023-1
15P UMNLII IN-LNE PLUG
HSG KIT



TE Model / Part # 58380-1
DIE W/O 69710-1 12 F
IS9433



TE Model / Part # 1579001-3
DIE UMNL 4-5MM2



TE Model / Part # 58530-1
AMP PRO-CRIMPER
HAND TOOL II

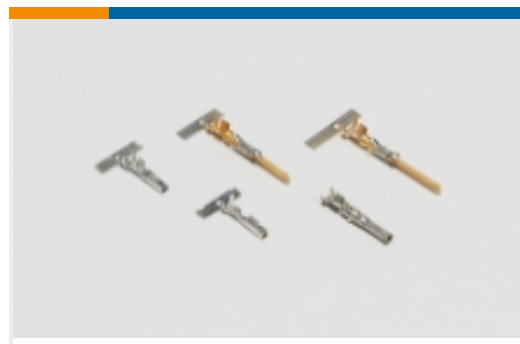
Also in the Series | [Universal MATE-N-LOK](#)



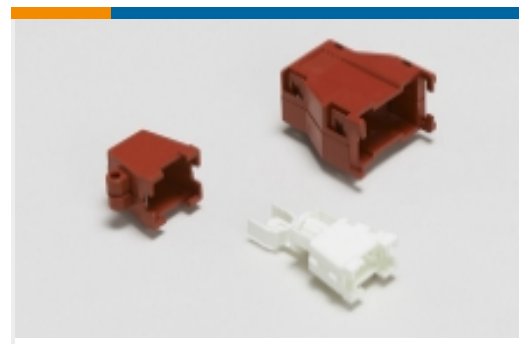
Circular Power Connectors
(2)



Connector Contacts(11)



Power Contacts(208)



Rectangular Boots & Strain Relief(35)



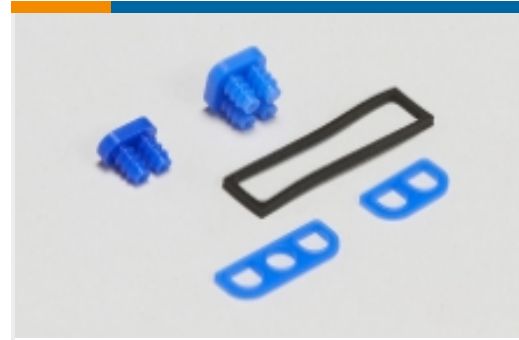
Rectangular Connector Adapters(7)



Rectangular Connector Housings(3)



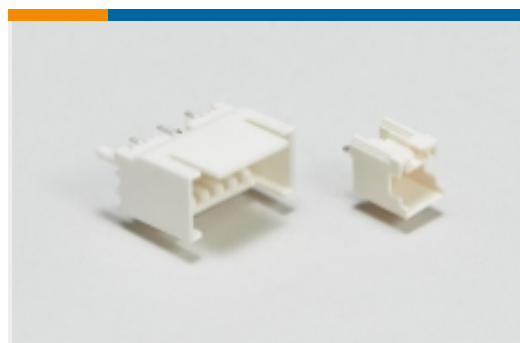
Rectangular Connector Keying Plugs(3)



Rectangular Connector Seals(26)



Rectangular Power Connectors(717)

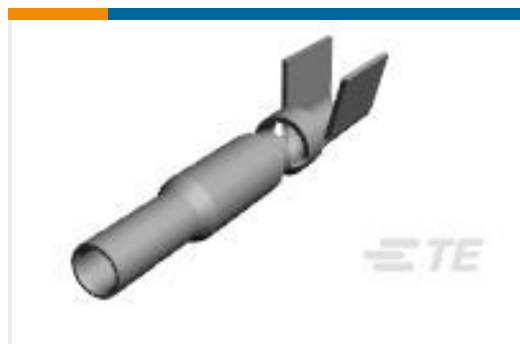


Wire-to-Board Headers & Receptacles(3)

Customers Also Bought



TE Model / Part #1-770250-0
UMNL II PIN SN/AUNI/BR LP20-14



TE Model / Part #1-770247-0
UMNL II SOK SN/AUNI /PHBZ LP



TE Model / Part #1-770248-0
UMNL II PIN SN/AUNI/BR LP



TE Model / Part #3-641191-3
03P MTA100 CONN ASSY WHT LF



TE Model / Part #2-5745174-7
CABLE CLAMP KIT,SZ 4



TE Model / Part #211769-5
17-9 CPC RECEPT REV SEX



TE Model / Part #213499-1
PLUG HSG,8 POWER METRIMATE



TE Model / Part #1-51692-6
N SERIES PLUG RG 217



Documents

Product Drawings

[UMNL II PIN AUNIPHBZ LP 12-10](#)

English

CAD Files

[3D PDF](#)

3D

Customer View Model

[ENG_CVM_CVM_1-770246-0_F.2d_dxf.zip](#)

English

Customer View Model

[ENG_CVM_CVM_1-770246-0_F.3d_igs.zip](#)

English

Customer View Model

[ENG_CVM_CVM_1-770246-0_F.3d_stp.zip](#)

English

Datasheets & Catalog Pages

[SOFT_SHELL_PIN_SOCKET_CONNECTORS_STANDARD_DENSITY](#)

English

Product Specifications

[Application Specification](#)

English