



Terminals & Splices > Crimp Wire Pins, Tabs & Ferrules



Terminal & Splice Type: **Tab**

Terminal Type: **Blade**

Tab Width: 4.59 mm [ .180387 in ]

Tab Thickness: .83 mm [ .033 in ]

Wire Insulation Diameter (Max): 4.29 mm [ .169 in ]

### Features

#### Product Type Features

|                   |                    |
|-------------------|--------------------|
| Shape Description | WIRE PIN-005       |
| Barrel Type       | Closed Barrel      |
| Wire/Cable Type   | Regular Wire       |
| Sealable          | No                 |
| Insulated         | Yes                |
| Support Style     | Insulation Support |

#### Body Features

|                            |        |
|----------------------------|--------|
| Sleeve Material            | Copper |
| Sleeve Plating Material    | Tin    |
| Insulation Sleeve Material | Nylon  |
| Double Wire                | No     |
| Insulation Material        | Nylon  |
| Insulation Color           | Black  |
| Plating Material           | Tin    |

#### Contact Features

|                        |                      |
|------------------------|----------------------|
| Terminal Length        | 16.51 mm[.648843 in] |
| Terminal & Splice Type | Tab                  |
| Terminal Type          | Blade                |
| Tab Thickness          | .83 mm[.033 in]      |
| Terminal Orientation   | Straight             |

### Termination Features

|                 |         |
|-----------------|---------|
| Bullet Terminal | Without |
|-----------------|---------|

### Mechanical Attachment

|                         |      |
|-------------------------|------|
| Wire Insulation Support | With |
|-------------------------|------|

### Dimensions

|  |                               |
|--|-------------------------------|
| DIN Wire Size                          | 1 – 2.5 mm <sup>2</sup>       |
| Tab Width                              | 4.59 mm[.180387 in]           |
| Wire Insulation Diameter (Max)         | 4.29 mm[.169 in]              |
| Accepts Wire Insulation Diameter Range | 2.92 – 4.31 mm[.115 – .17 in] |
| Wire Size                              | 2050 – 5180 CMA               |
| Barrel Inside Diameter                 | 4.39 mm[.172527 in]           |
| Material Thickness                     | .83 mm[.0326 in]              |
| Overall Length                         | 27.4 mm[1.079 in]             |

### Usage Conditions

|                             |                |
|-----------------------------|----------------|
| Operating Temperature Range | 105 °C[221 °F] |
|-----------------------------|----------------|

### Operation/Application

|            |    |
|------------|----|
| Heavy Duty | No |
|------------|----|

### Packaging Features

|                    |        |
|--------------------|--------|
| Packaging Quantity | 1000   |
| Packaging Method   | Carton |

### Other

|              |              |
|--------------|--------------|
| Comment      | Lipped Blade |
| Barrel Color | Black        |

### Product Compliance

[For compliance documentation, visit the product page on TE.com>](#)

|   |  |
|---|--|
| EU RoHS Directive 2011/65/EU                  | Compliant  |
| EU ELV Directive 2000/53/EC                   | Compliant  |
| China RoHS 2 Directive MIIT Order No 32, 2016 | No Restricted Materials Above Threshold  |
| EU REACH Regulation (EC) No. 1907/2006        | Current ECHA Candidate List: JUL 2019 (201)<br>Candidate List Declared Against: JUN 2016 (169) |

Does not contain REACH SVHC

EU REACH Regulation (EC) No. 1907/2006

Current ECHA Candidate List: JUL 2019 (201)

Candidate List Declared Against: JUN 2016 (169)

Halogen Content

Not Yet Reviewed for halogen content

Solder Process Capability

Not applicable for solder process capability

Product Compliance Disclaimer

This information is provided based on reasonable inquiry of our suppliers and represents our current actual knowledge based on the information they provided. This information is subject to change. The part numbers that TE has identified as EU RoHS compliant have a maximum concentration of 0.1% by weight in homogenous materials for lead, hexavalent chromium, mercury, PBB, PBDE, DBP, BBP, DEHP, DIBP, and 0.01% for cadmium, or qualify for an exemption to these limits as defined in the Annexes of Directive 2011/65/EU (RoHS2). Finished electrical and electronic equipment products will be CE marked as required by Directive 2011/65/EU. Components may not be CE marked. Additionally, the part numbers that TE has identified as EU ELV compliant have a maximum concentration of 0.1% by weight in homogenous materials for lead, hexavalent chromium, and mercury, and 0.01% for cadmium, or qualify for an exemption to these limits as defined in the Annexes of Directive 2000/53/EC (ELV). Regarding the REACH Regulations, TE's information on SVHC in articles for this part number is still based on the European Chemical Agency (ECHA) 'Guidance on requirements for substances in articles' (Version: 2, April 2011), applying the 0.1% weight on weight concentration threshold at the finished product level. TE is aware of the European Court of Justice ruling of September 10th, 2015 also known as O5A (Once An Article Always An Article) stating that, in case of 'complex object', the threshold for a SVHC must be applied to both the product as a whole and simultaneously to each of the articles forming part of its composition. TE has evaluated this ruling based on the new ECHA "Guidance on requirements for substances in articles" (June 2017, version 4.0) and will be updating its statements accordingly.

### Compatible Parts




TE Model / Part # 59824-1  
TETRA-CRIMP HT ASSY



TE Model / Part # 58433-3  
PRO CR ASSY, RBY IS9252



TE Model / Part # 59250  
T-HD HT, PIDG 22-14



TE Model / Part # 47387  
DAHT PIDG 16-14 ASSY



TE Model / Part # 58423-1  
DIE, RBY IS9252



TE Model / Part # 539691-2  
ERGO DIE R.B.Y



TE Model / Part # 2063030-1  
SDE DIESET, RBY, UL



TE Model / Part # 47807-1  
DIE PIDG 69100 16-14

### Also in the Series | PIDG



Compression Connectors  
(17)



Crimp Terminal Housings  
(1)



Crimp Wire Pins, Tabs &  
Ferrules(41)



Knife Disconnects(11)



PCB Terminals(9)



Portable Crimp Tools(1)



Quick Disconnects(53)



Rings & Spades(862)



Special Purpose Terminals  
(1)



Splices(48)

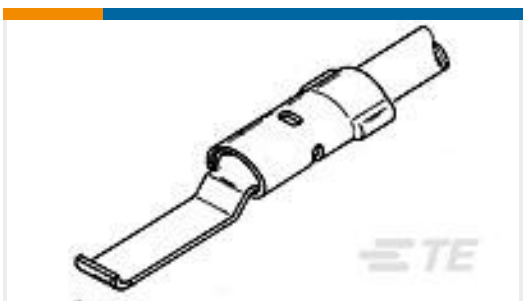
### Customers Also Bought



TE Model / Part #4-  
1393104-9  
KRPA-11DN-110=KRPA



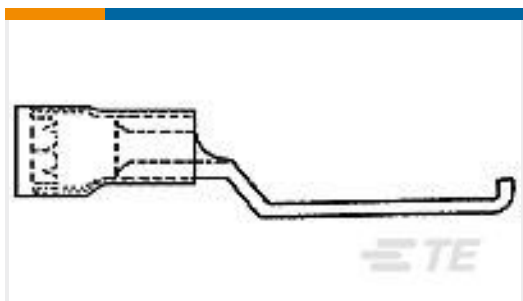
TE Model / Part #4-  
2027183-3  
KUEP-11D15-125=RELAY,  
3A,2C,AGCDO,QC.187,



TE Model / Part #151467  
22-16 PIDG LIPPED BLADE  
EXP.1



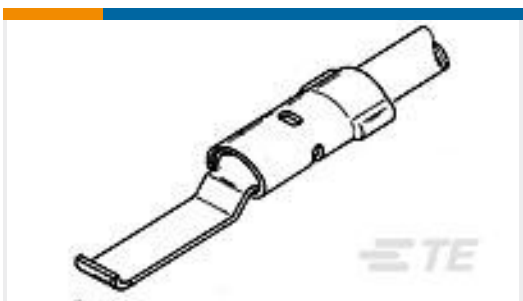
TE Model / Part #342062  
16-14 H.D.R/T 5MM STUD  
BLACK



TE Model / Part #154724  
16-14 PIDG BLADE EXP .  
165VINYL



TE Model / Part #4-  
1393104-6  
KRPA-11DG-48=KRPA



TE Model / Part #151471  
12-10 PIDG LIP'D BLADE  
6.45-

### Documents



Product Drawings

16-14 PIDG LIP'D BLADE BLACK E

English