

330003 ✓ ACTIVE

TERMI-FOIL | TERMI-FOIL

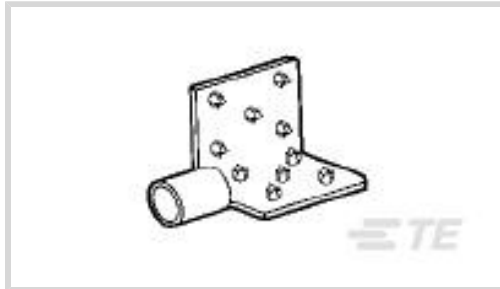
TE Internal #: 330003

TE Internal Description: TERMINAL,TERMI-FOIL 12-10

[View on TE.com >](#)



Terminals & Splices > Foil Terminals



Terminal Type: **Barrel**

Body Type: **Type 1**

Foil Thickness (Max): **.76 mm [.03 in]**

Slotted: **No**

Plating Material: **Copper, Tin**

Features

Configuration Features

Slotted	No
---------	----

Body Features

Face	Double
Body Type	Type 1
Plating Material	Copper, Tin

Contact Features

Terminal Type	Barrel
---------------	--------

Termination Features

Foil Thickness (Max)	.76 mm [.03 in]
----------------------	-----------------

Dimensions

Barrel Wire Size	3 – 6 mm ²
------------------	-----------------------

Packaging Features

Packaging Quantity	500
Packaging Method	Box

Other

Comment	For heavy duty, use tool 68064.
---------	---------------------------------

Product Compliance

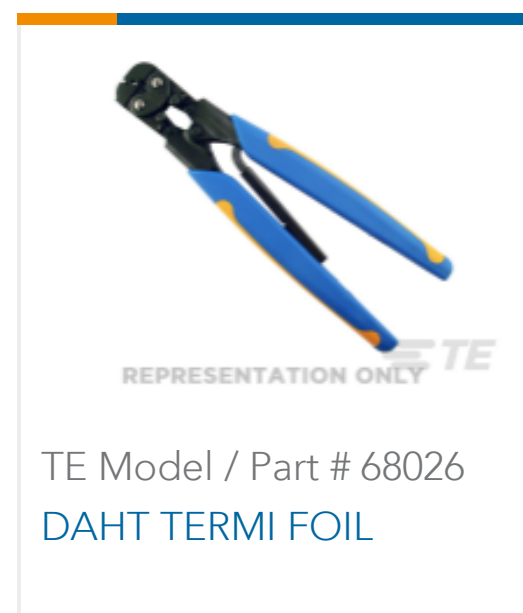
[For compliance documentation, visit the product page on TE.com>](#)

EU RoHS Directive 2011/65/EU	Compliant
EU ELV Directive 2000/53/EC	Compliant
China RoHS 2 Directive MIIT Order No 32, 2016	No Restricted Materials Above Threshold
EU REACH Regulation (EC) No. 1907/2006	Current ECHA Candidate List: JUL 2019 (201) Candidate List Declared Against: JUL 2019 (201) Does not contain REACH SVHC
EU REACH Regulation (EC) No. 1907/2006	Current ECHA Candidate List: JUL 2019 (201) Candidate List Declared Against: JUL 2019 (201)
Halogen Content	Low Halogen - Br, Cl, F, I < 900 ppm per homogenous material. Also BFR/CFR/PVC Free
Solder Process Capability	Not applicable for solder process capability

Product Compliance Disclaimer

This information is provided based on reasonable inquiry of our suppliers and represents our current actual knowledge based on the information they provided. This information is subject to change. The part numbers that TE has identified as EU RoHS compliant have a maximum concentration of 0.1% by weight in homogenous materials for lead, hexavalent chromium, mercury, PBB, PBDE, DBP, BBP, DEHP, DIBP, and 0.01% for cadmium, or qualify for an exemption to these limits as defined in the Annexes of Directive 2011/65/EU (RoHS2). Finished electrical and electronic equipment products will be CE marked as required by Directive 2011/65/EU. Components may not be CE marked. Additionally, the part numbers that TE has identified as EU ELV compliant have a maximum concentration of 0.1% by weight in homogenous materials for lead, hexavalent chromium, and mercury, and 0.01% for cadmium, or qualify for an exemption to these limits as defined in the Annexes of Directive 2000/53/EC (ELV). Regarding the REACH Regulations, TE's information on SVHC in articles for this part number is still based on the European Chemical Agency (ECHA) 'Guidance on requirements for substances in articles' (Version: 2, April 2011), applying the 0.1% weight on weight concentration threshold at the finished product level. TE is aware of the European Court of Justice ruling of September 10th, 2015 also known as O5A (Once An Article Always An Article) stating that, in case of 'complex object', the threshold for a SVHC must be applied to both the product as a whole and simultaneously to each of the articles forming part of its composition. TE has evaluated this ruling based on the new ECHA "Guidance on requirements for substances in articles" (June 2017, version 4.0) and will be updating its statements accordingly.

Compatible Parts



Also in the Series | [TERMI-FOIL](#)

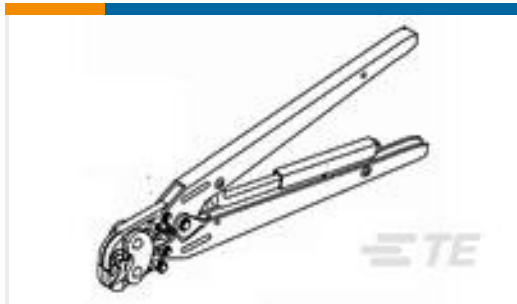
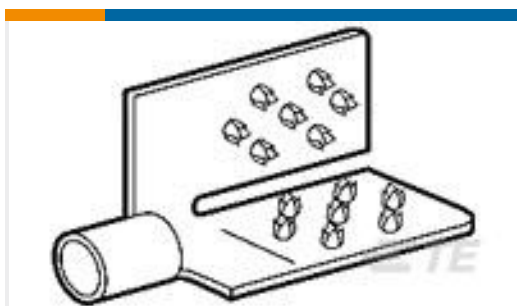


Foil Terminals(8)



Splices(2)

Customers Also Bought

TE Model / Part #68026
DAHT TERMI FOILTE Model / Part #2-329254-4
TERMINAL,TERMI-FOIL 12-10TE Model / Part #330005
TERMINAL,TERMI-FOIL 12-10TE Model / Part #CR5856-000
SL-500-120V-F-01(B1)TE Model / Part #52195
TERMINAL,TERMI-FOIL 16-14TE Model / Part #6-1624108-8
3640 0402 15nH 2% 1K RLTE Model / Part #317515-000
SGRS-2-1000TE Model / Part #4-1624108-4
3640 0402 2.1nH +/-0.2nH 1K RLTE Model / Part #599047-000
SGRS-3-1000

Documents

Product Drawings

[TERMINAL,TERMI-FOIL 12-10](#)

English

CAD Files

Customer View Model

[ENG_CVM_330003_E.3d_igs.zip](#)

English

Customer View Model



[ENG_CVM_330003_E.3d_stp.zip](#)

English

Customer View Model

[ENG_CVM_330003_E.2d_dxf.zip](#)

English

3D PDF

English