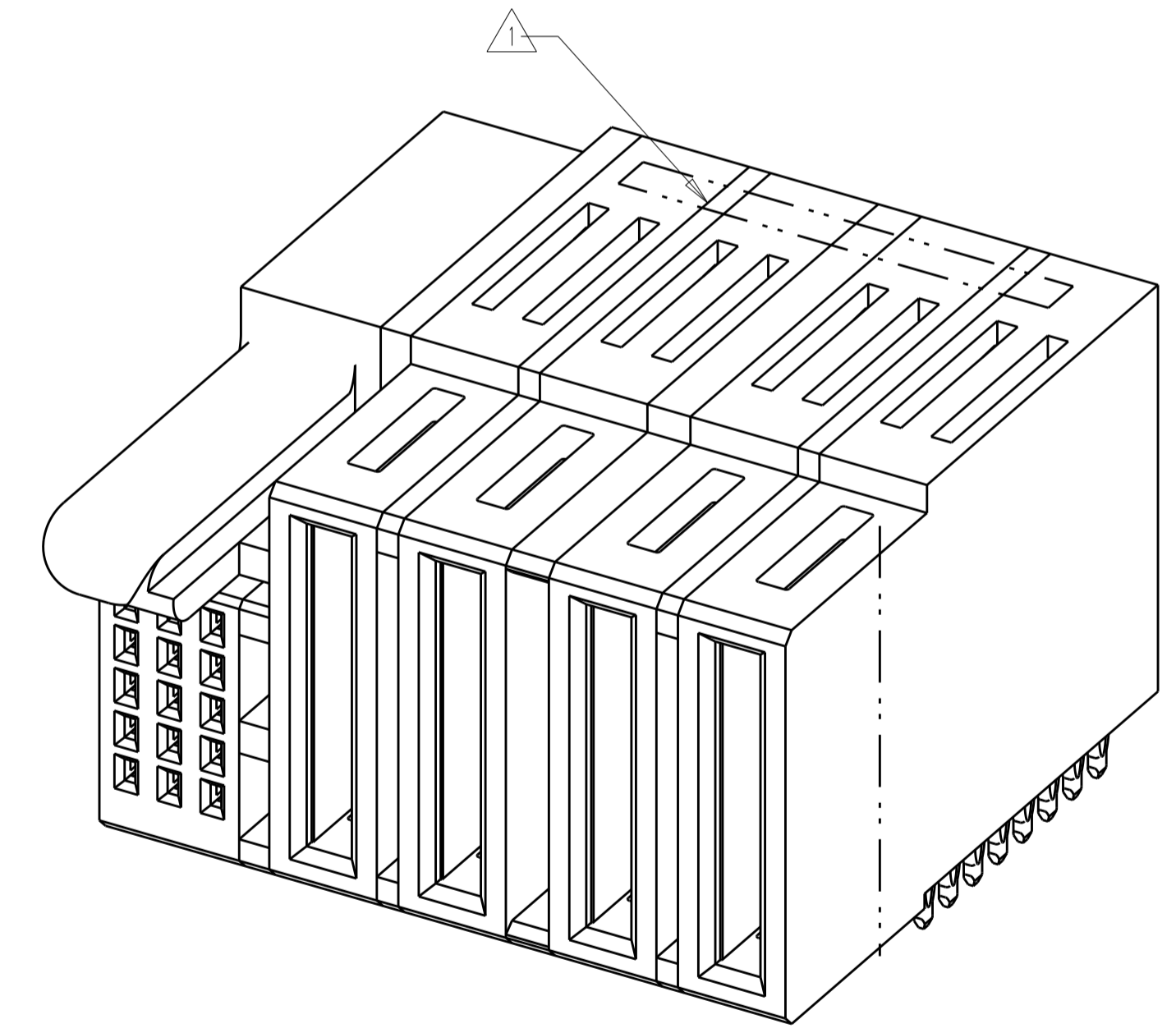
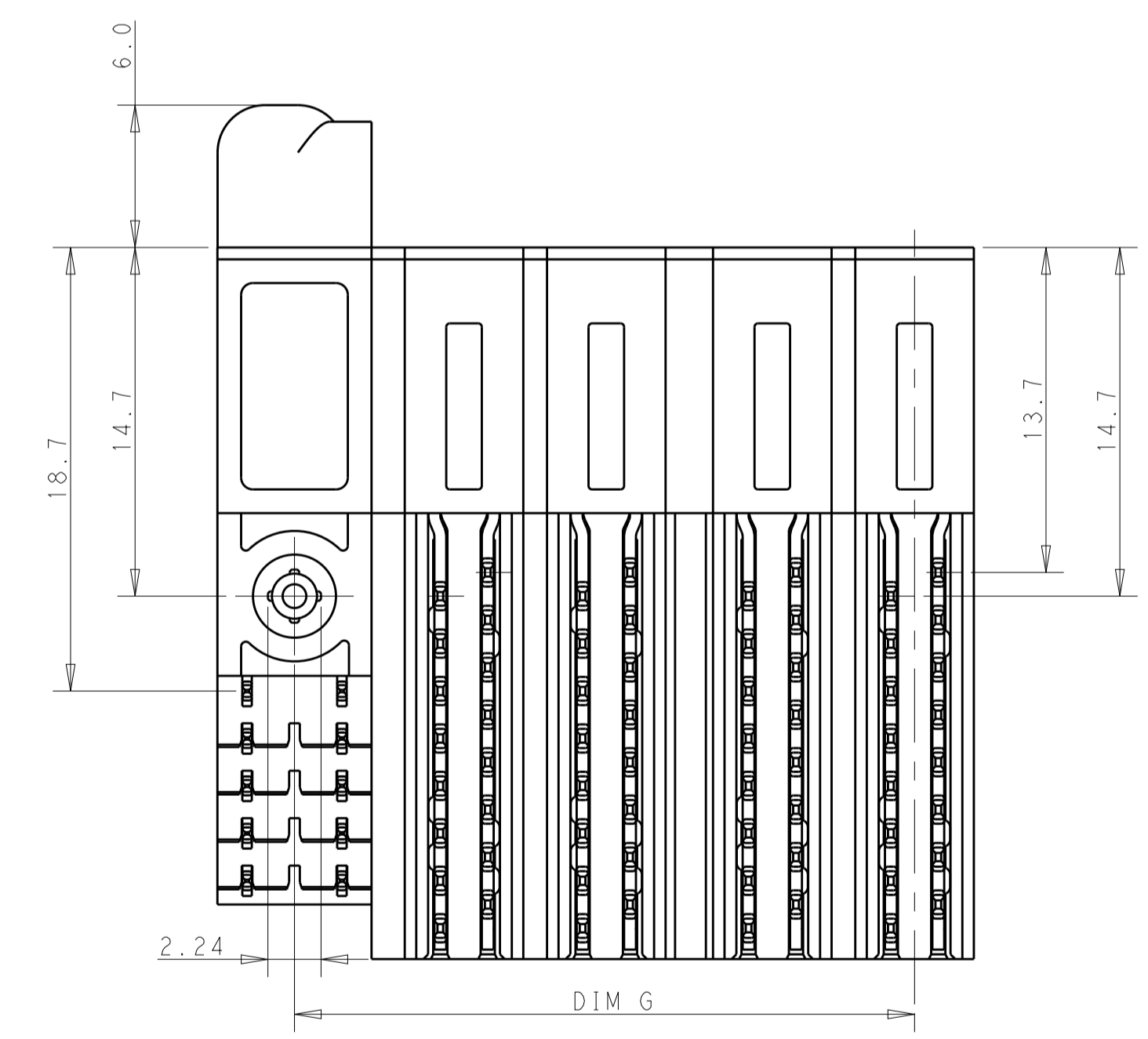
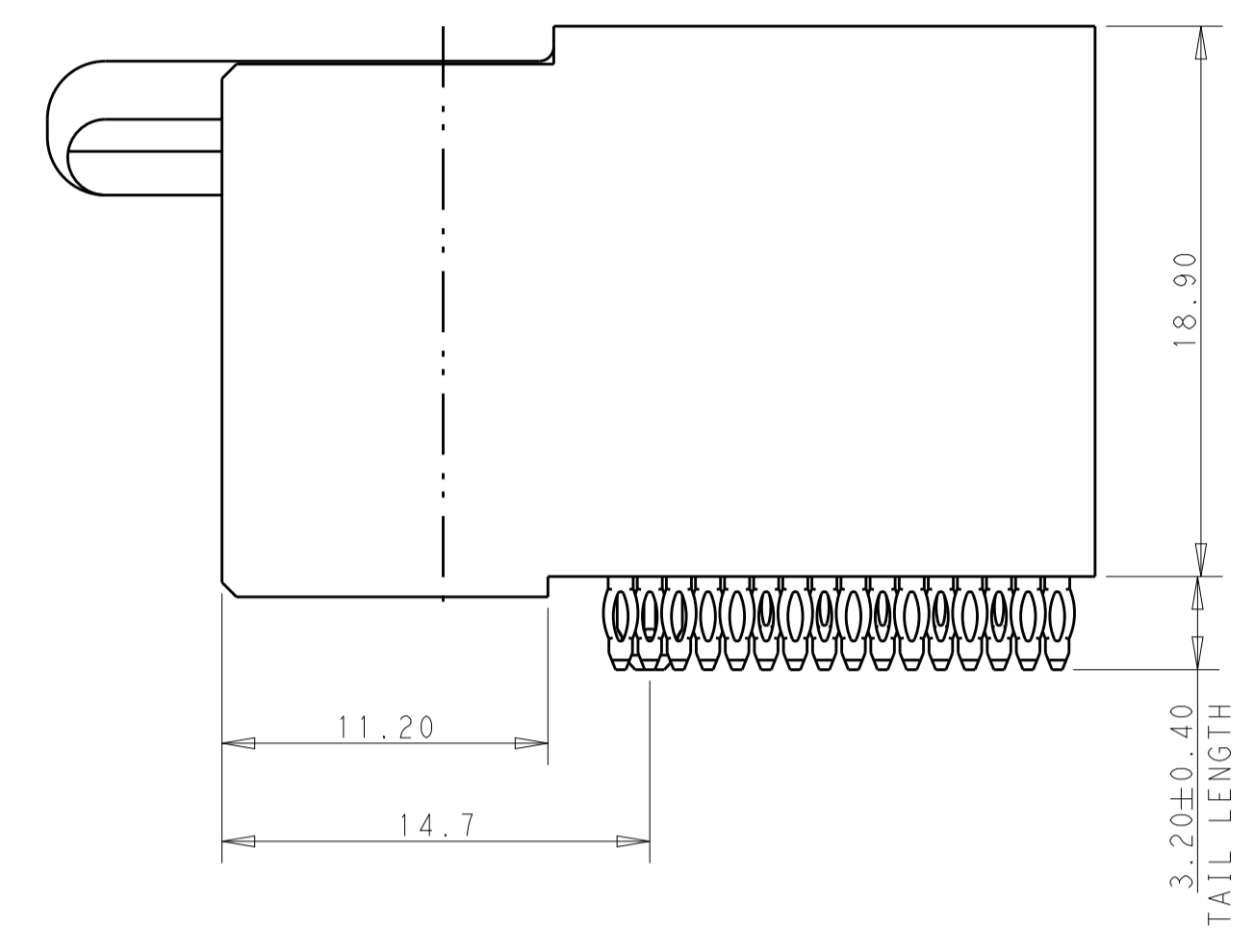
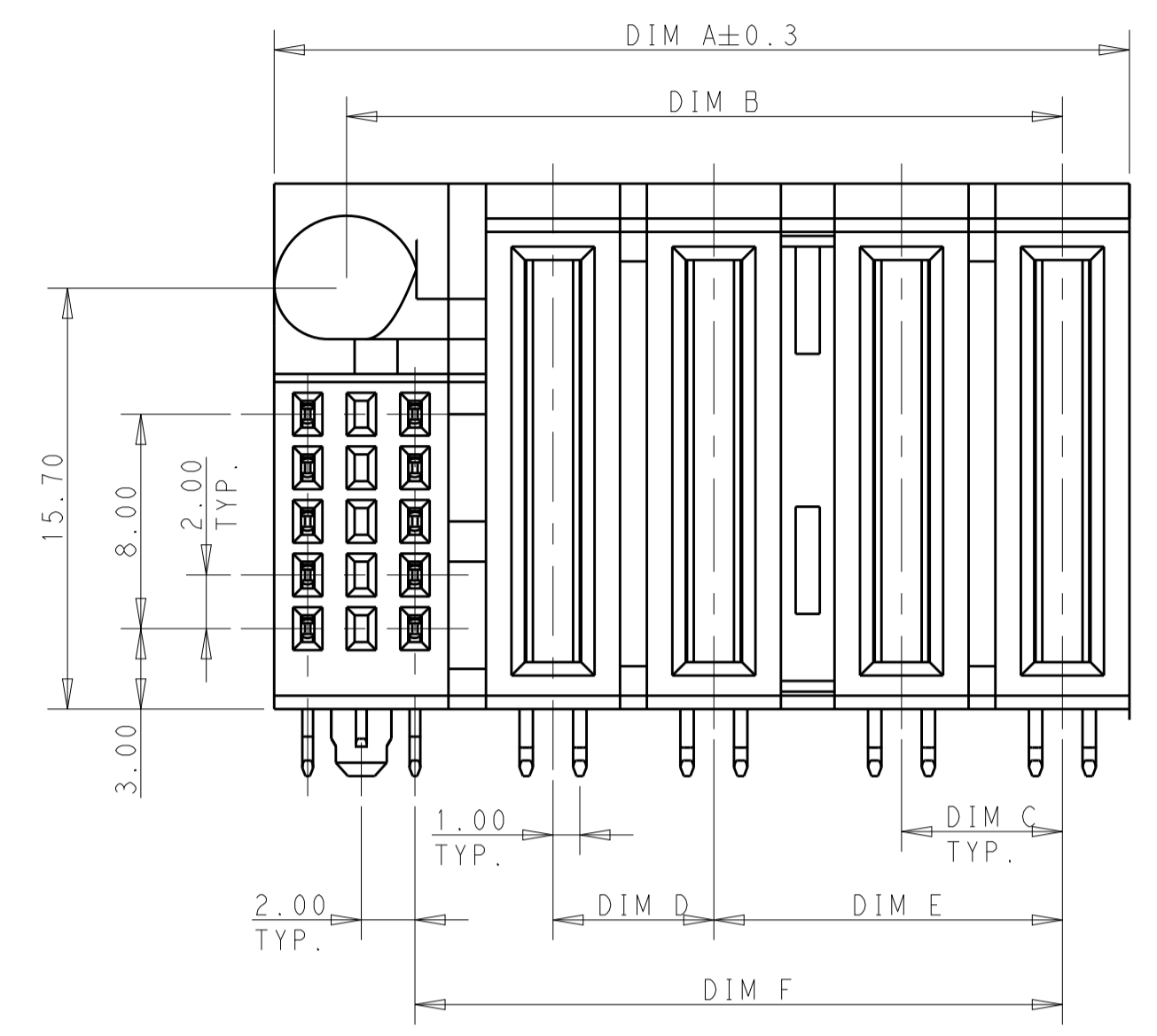


REVISIONS					
P.	LTN	DESCRIPTION	DATE	DWN	APVD
A1	ECR-16-006244		11MAY2016	TZ	SZ



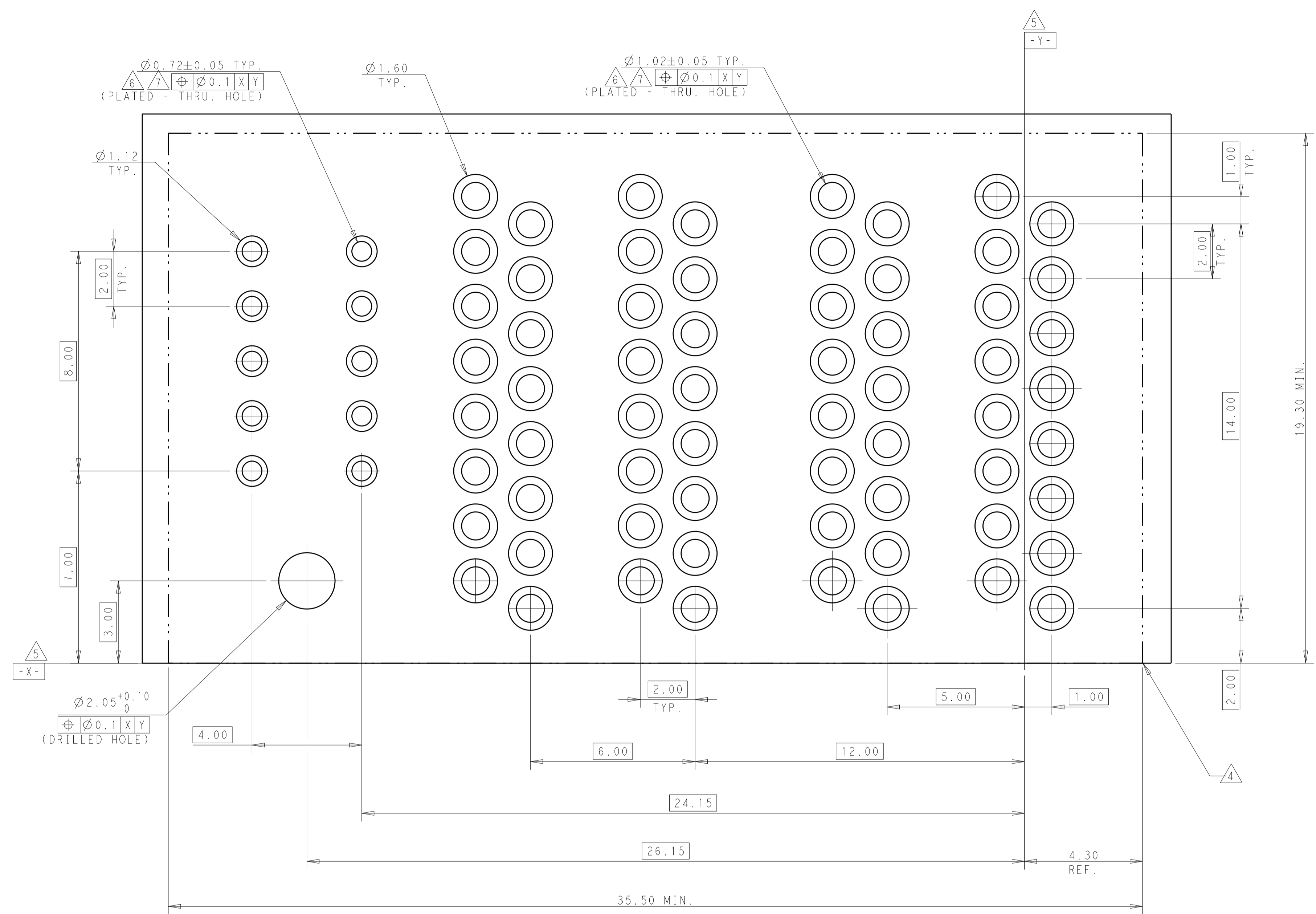
NOTES, UNLESS OTHERWISE SPECIFIED:  
 1. "TE", PART NUMBER AND DATE CODE TO BE MARKED IN AREA SHOWN.  
 2. MATERIAL:  
 HOUSING - GLASS FILLED HIGH TEMP THERMO PLASTIC, COLOR: BLACK, UL94 V-0.  
 SIGNAL CONTACT - HIGH CONDUCTIVITY COPPER ALLOY.  
 POWER CONTACT - HIGH CONDUCTIVITY COPPER ALLOY.  
 3. CONTACT PLATING:  
 MATING AREA - NOBLE METAL OVERALL NICKEL  
 TAIL SIDE AREA - MATTE TIN OVERALL NICKEL.  
 4. MECHANICAL CONNECTOR KEEP OUT ZONE.  
 5. DATUM AND BASIC DIMENSIONS ESTABLISHED BY CUSTOMER.  
 6. PCB - ALL HOLE DIAMETERS ARE FINISHED HOLE SIZES.  
 7. PCB HOLE:  
 POWER - 1.15±0.025 MM DRILLED HOLES SIZE PLATING WITH 0.0076 MM MIN.  
 Sn OVER 0.025-0.076 MM Cu PLATING TO ACHIEVE A 1.02 MM DIA. HOLE.  
 SIGNAL - 0.835±0.025 MM DRILLED HOLES SIZE PLATING WITH 0.0076 MM MIN.  
 Sn OVER 0.025-0.076 MM Cu PLATING TO ACHIEVE A 0.72 MM DIA. HOLE.

DIM H.	DIM G.	DIM F.	DIM E.	DIM D.	DIM C.	DIM B.	DIM A.	DESCRIPTION	PART NUMBER
22.50	28.15	26.15	-	-	6.00	28.70	33.90	4VP+20S	2204406-6
-	59.15	-	-	-	5.00	59.70	64.90	10S+1P+2P+2P+2P+2P	2204406-5
-	12.15	10.15	-	-	5.00	12.70	17.90	2P+15S	2204406-3
-	26.15	24.15	13.00	6.00	6.00	26.70	31.90	2VP+2VP+10S	2204406-1

THIS DRAWING IS A CONTROLLED DOCUMENT.		DWN: THOMAS ZHAO 13NOV2014	TE Connectivity CUSTOMER DRAWING R/A REC. WITH SINGLE GUIDE MULTI-BEAM HD
DIMENSIONS: mm		CHK: SUNY ZHAO 13NOV2014	
TOLERANCES UNLESS OTHERWISE SPECIFIED:		APVD: SUNY ZHAO 13NOV2014	NAME: CUSTOMER DRAWING
0 PLC ±0.4		PRODUCT SPEC	SIZE: A1
1 PLC ±0.4		APPLICATION SPEC	CAGE CODE: -
2 PLC ±0.25		WEIGHT: -	SCALE: 4:1
3 PLC ±0.15		RESTRICTED TO: -	SHEET 1 OF 4
4 PLC ±		CUSTOMER DRAWING	REV: A1
ANGLES: ±			
FINISH: -			

REVISIONS				
P.	LTM	DESCRIPTION	DATE	APVD
-	-	SEE SHEET 1	-	-



PART NUMBER	ROWS	SIGNAL		POWER			
		2	1	P4	P3	P2	P1
2204406-1	E	SRI	SRI	PR	PR	PR	PR
	D	SRI	SRI	PR	PR	PR	PR
	C	SRI	SRI	PR	PR	PR	PR
	B	SRI	SRI	PR	PR	PR	PR
	A	SRI	SRI	PR	PR	PR	PR
2VP+2VP+10S							

POWER CONTACT PRESS FIT	PR
SIGNAL CONTACT PRESS FIT	SR1
HP/SIGNAL WITH SINGAL GUIDE	HOUSING
DESCRIPTION	CODE

THIS DRAWING IS A CONTROLLED DOCUMENT.

DIMENSIONS: mm  
 TOLERANCES UNLESS OTHERWISE SPECIFIED:  
 0 PLC ±0.4  
 1 PLC ±0.4  
 2 PLC ±0.25  
 3 PLC ±0.15  
 4 PLC ±0.15  
 ANGLES ±0.5°

MATERIAL: -  
 FINISH: -

DWN: THOMAS\_ZHAO 13NOV2014  
 CHK: SUNY\_ZHAO 13NOV2014  
 APVD: SUNY\_ZHAO 13NOV2014

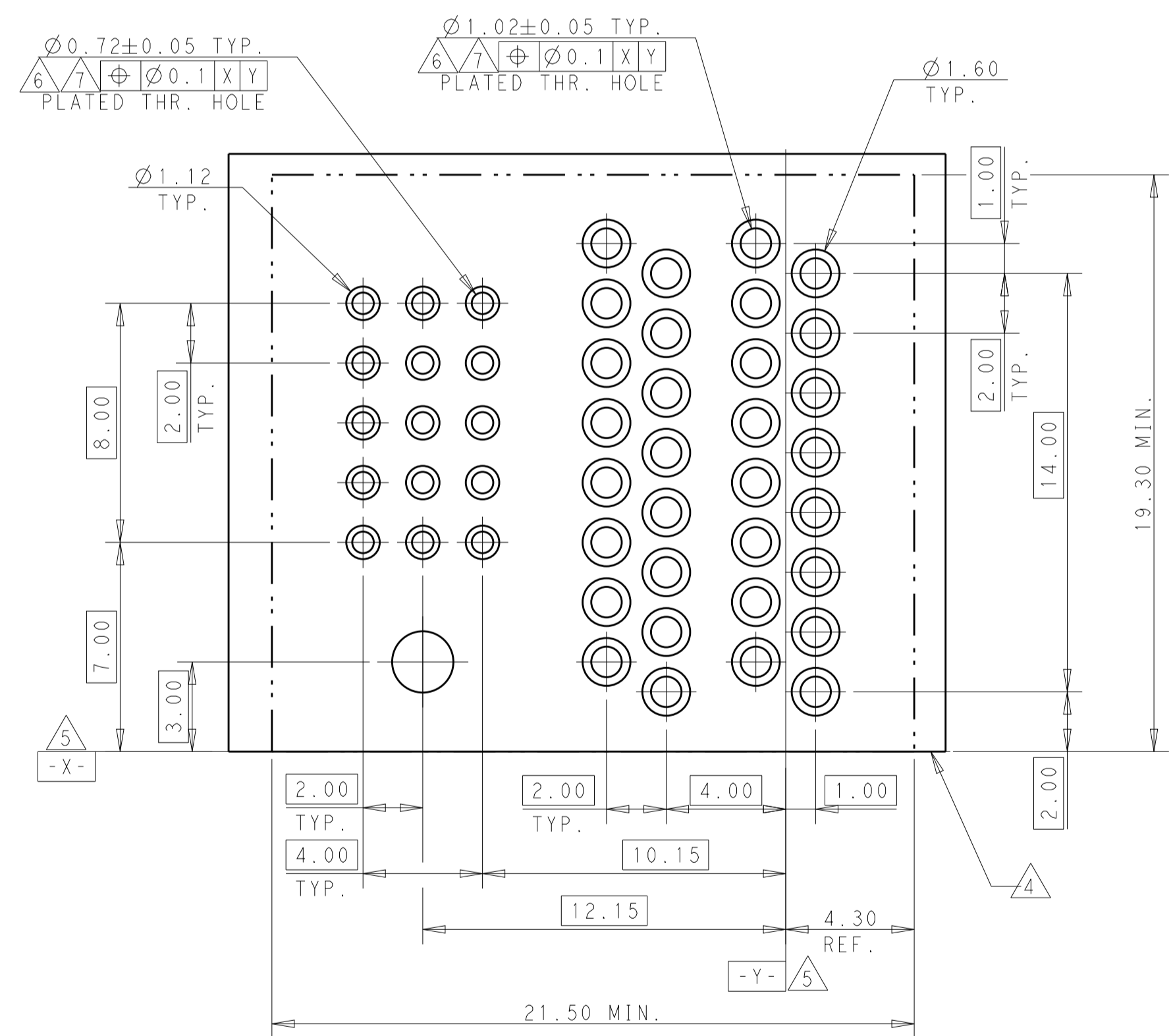
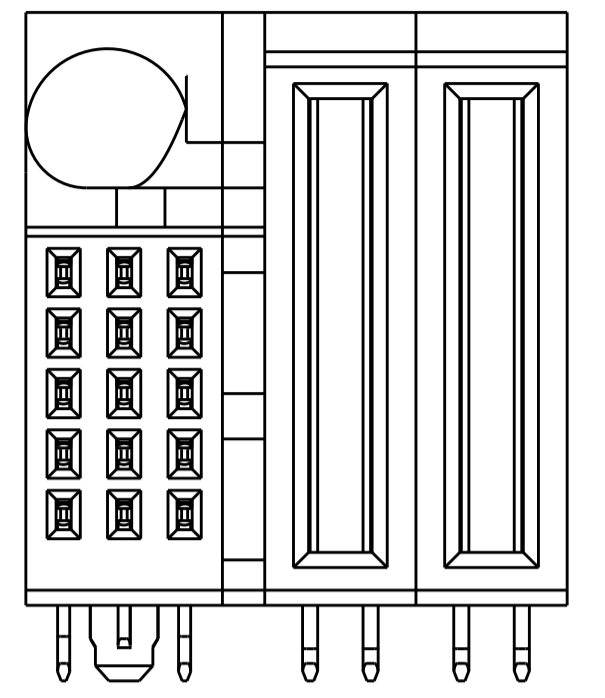
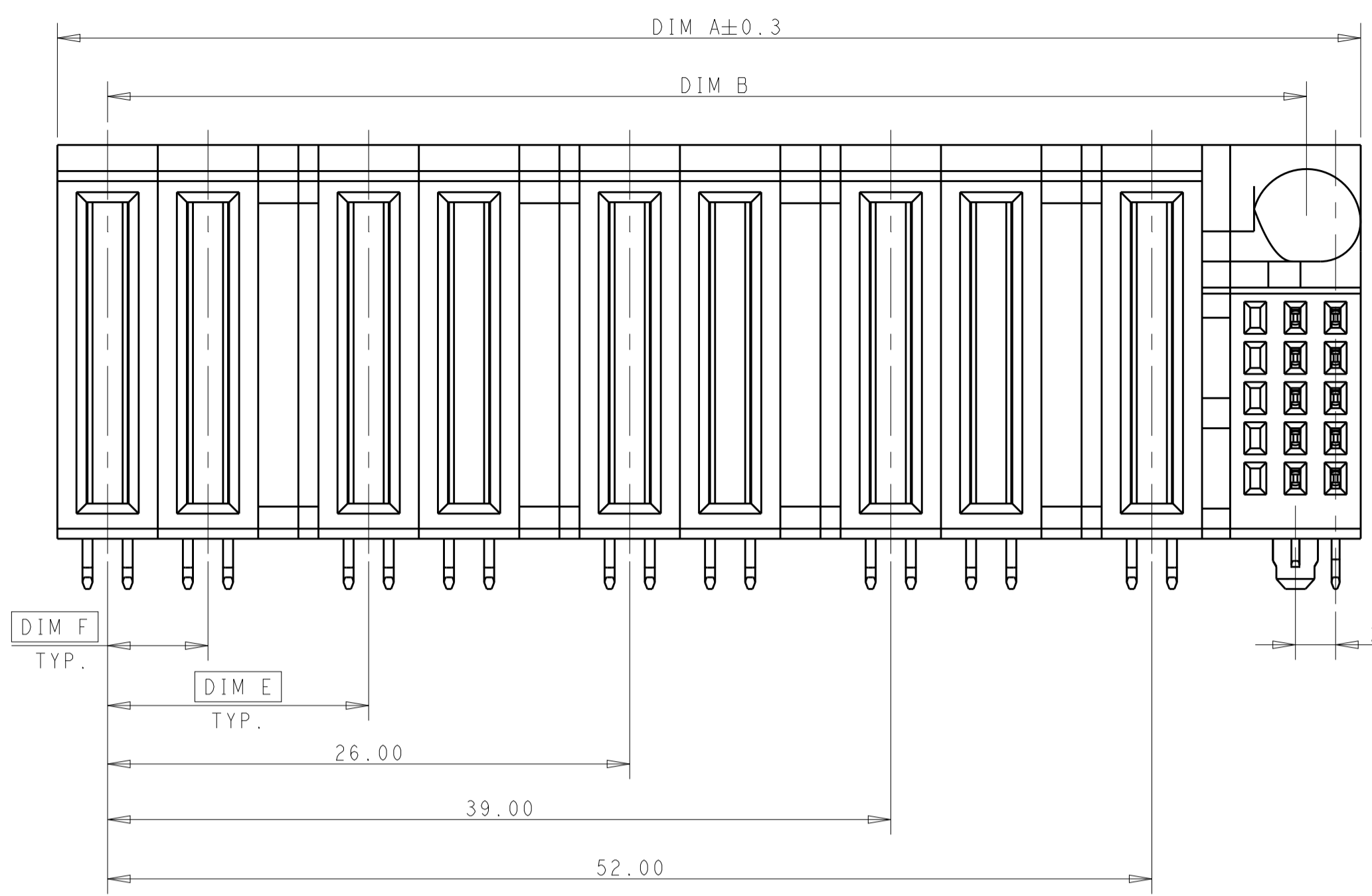
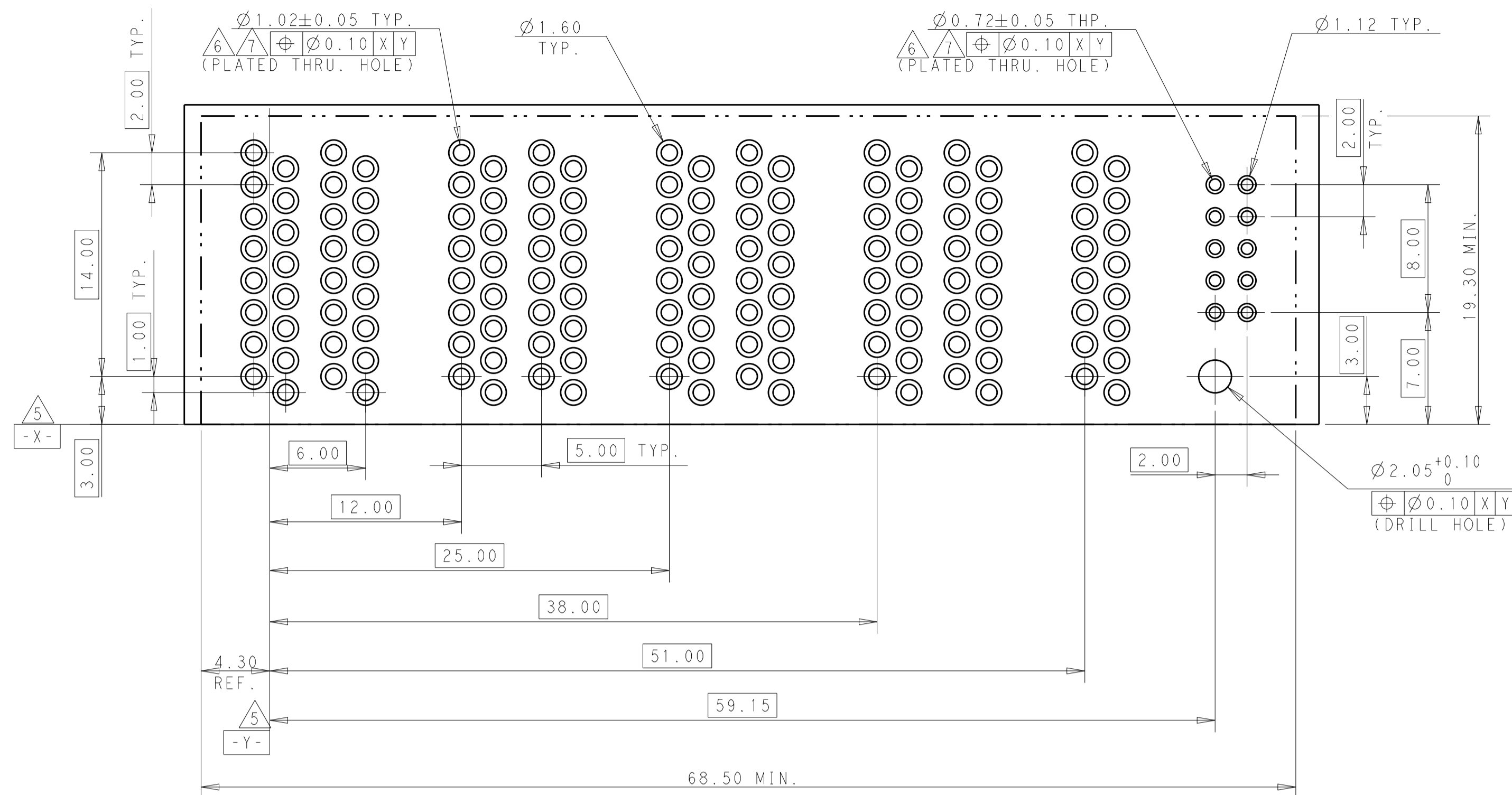
NAME: CUSTOMER DRAWING  
 R/A REC. WITH SINGLE GUIDE  
 MULTI-BEAM HD

SIZE: A1  
 CAGE CODE: -  
 DRAWING NO: 2204406  
 WEIGHT: -  
 RESTRICTED TO: -

SCALE: 4:1  
 SHEET: 2 OF 4  
 REV: A1

**STE** TE Connectivity

REVISIONS				
P.	LTN.	DESCRIPTION	DATE	APPV.
-	-	SEE SHEET 1	-	-



PART NUMBER	POWER									SIGNAL	
	P9	P8	P7	P6	P5	P4	P3	P2	P1	2	1
2204406-5	PR	PR	PR	PR	PR	PR	PR	PR	PR		
10S+1P+2P+2P+2P+2P											

PART NUMBER	ROWS	SIGNAL			POWER	
		3	2	1	P2	P1
2204406-3	E	SR	SR	SR		
	D	SR	SR	SR	PR	PR
	C	SR	SR	SR		
	B	SR	SR	SR		
	A	SR	SR	SR		
2P+15S						

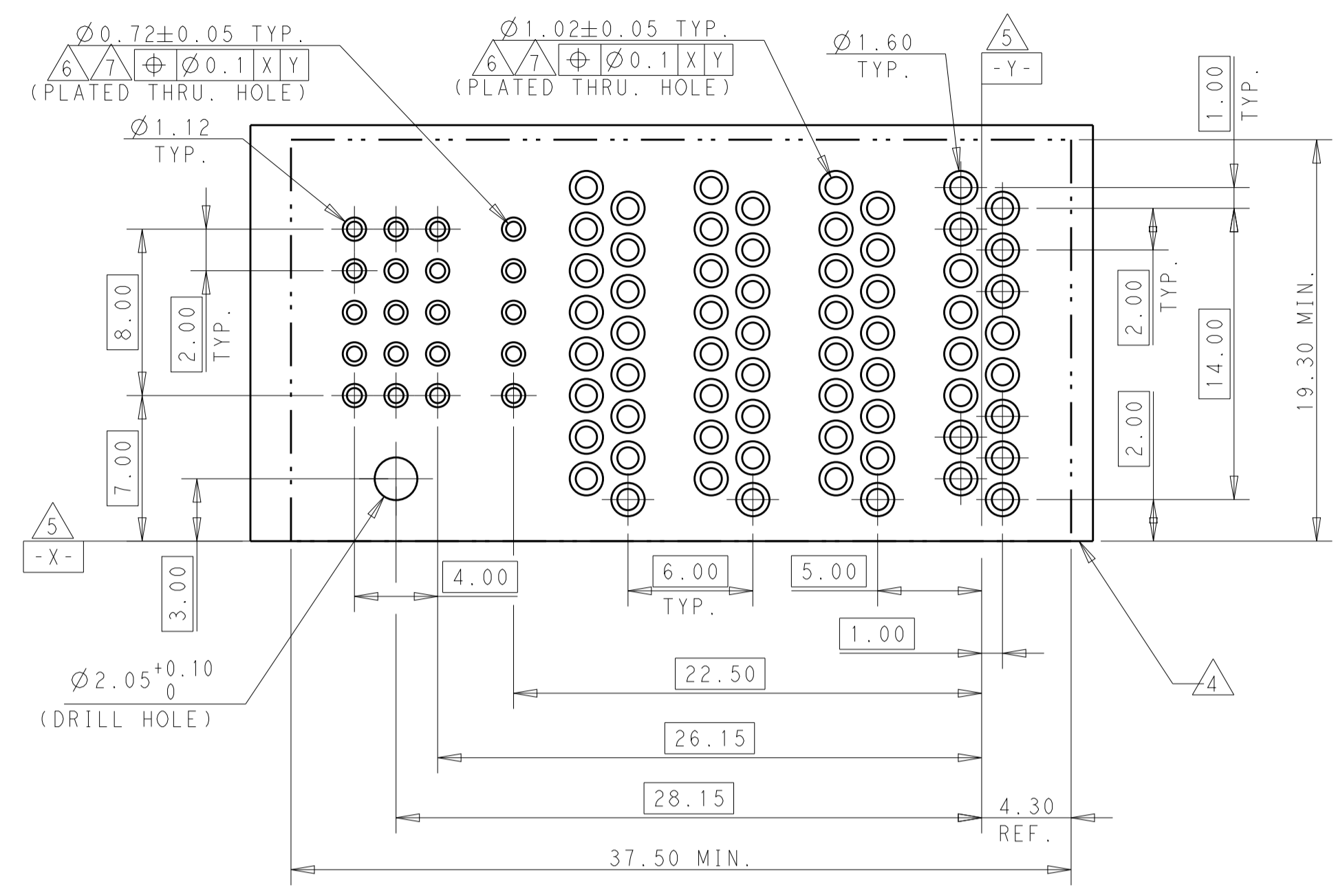
THIS DRAWING IS A CONTROLLED DOCUMENT. DWN THOMAS\_ZHAO 13NOV2014  
 CHK SUNY\_ZHAO 13NOV2014  
 APVD SUNY\_ZHAO 13NOV2014

STE TE Connectivity

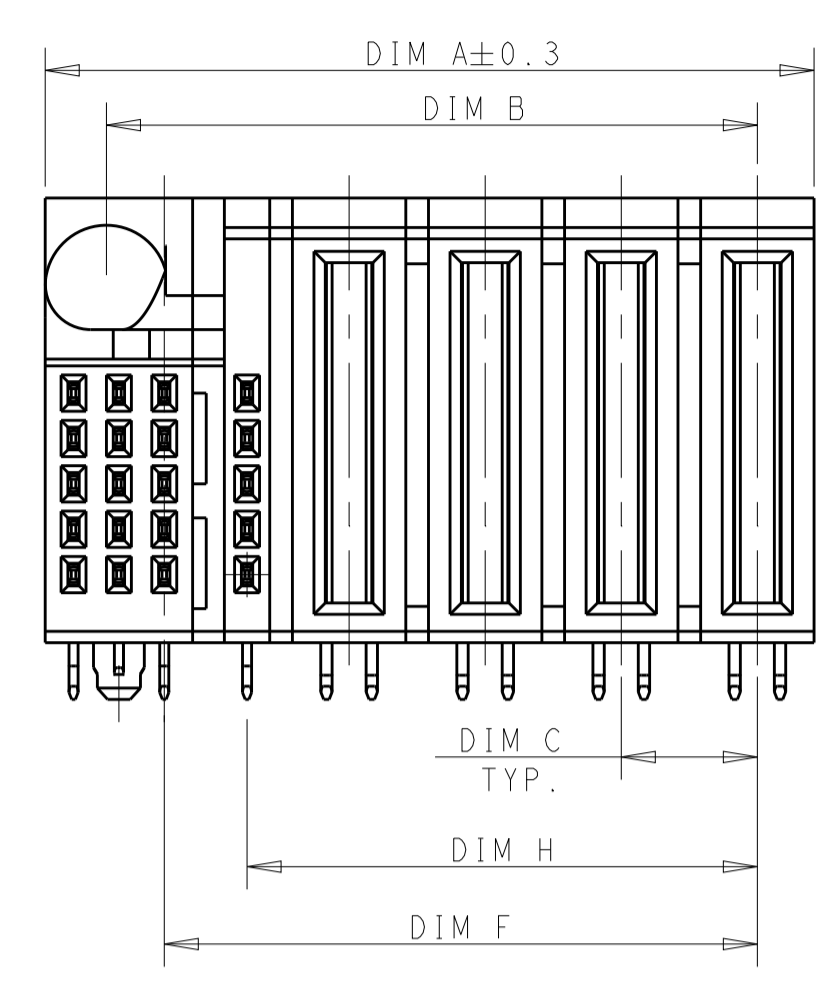
CUSTOMER DRAWING  
 R/A REC. WITH SINGLE GUIDE  
 MULTI-BEAM HD

SCALE 4:1 SHEET 3 OF 4 REV A1

REVISIONS				
P.	LTR.	DESCRIPTION	DATE	APVD.
-	-	SEE SHEET 1	-	-



PCB LAYOUT FOR PART NUMBER: 2204406-6



PART NUMBER	ROWS	SIGNAL				POWER			
		4	3	2	1	P4	P3	P2	P1
2204406-6	E	SR	SR	SR	SR	PR	PR	PR	PR
	D	SR	SR	SR	SR	PR	PR	PR	PR
	C	SR	SR	SR	SR	PR	PR	PR	PR
	B	SR	SR	SR	SR	PR	PR	PR	PR
	A	SR	SR	SR	SR	PR	PR	PR	PR

4VP+20S

THIS DRAWING IS A CONTROLLED DOCUMENT.		DWN THOMAS_ZHAO 13NOV2014 CHK SUNY_ZHAO 13NOV2014 APVD SUNY_ZHAO 13NOV2014	TE Connectivity
DIMENSIONS: mm 	TOLERANCES UNLESS OTHERWISE SPECIFIED: 0 PLC ± 1 PLC ±0.4 2 PLC ±0.25 3 PLC ±0.15 4 PLC ± ANGLES ±	NAME CUSTOMER DRAWING R/A REC. WITH SINGLE GUIDE MULTI-BEAM HD PRODUCT SPEC APPLICATION SPEC	
MATERIAL	FINISH	WEIGHT CUSTOMER DRAWING	SIZE A1 CAGE CODE DRAWING NO. C=2204406 RESTRICTED TO SCALE 4:1 SHEET 4 OF 4 REV A1