

Datasheet

Sub-Miniature Pushbutton Switch



IP 67
ACCORDING TO
EN 60529:1991+A1:2001
IEC 60529:2001



Package Contain:

- 1x Nut
- 1x Locking Washer
- 1x Splash Proof O-Ring

Specifications:

SWITCH TYPE:	PUSHBUTTON
POLES/THROWS:	SPST
SWITCH FUNCTIONS:	OFF-MOM

ELECTRICAL CHARACTERISTICS

CONTACT RATING:	500mA 48VAC-200mA 50VDC-200mA 250VAC
ELECTRICAL LIFE:	500,000 make-and-break cycles at full load
CONTACT RESISTANCE:	50m-ohms max.
INSULATION RESISTANCE:	1G Ω min. at 500VDC
DIELECTRICAL STRENGTH:	1500VAC rms
OPERATING TEMPERATURE:	-30°C to +85°C



Specifications:

RELAIBILITY PERFORMANCE

MECHANICAL LIFE:	Without load, 1,000,000 cycles min
OPERATING FORCE:	2N~5N max
TORQUE:	1.5 Nm max. (applied to nut.)
IP PROTECTION CLASS:	IP67(Upper side:Protected against the effects of temporary immersion in water.)
SOLDERING HEAT RESISTANCE:	Max soldering temperature @ 260±5°C, immersion time 5±1sec
COLD TEST:	Stored at temperature -30(+/-3)°C for 96 hours, shall result no changes to switch's electrical performance
HOT TEST:	Stored at temperature +85(+/-3)°C for 96 hours, shall result no changes to switch's electrical performance
HUMIDITY TEST:	Stored at temperature 40(+/-2)°C with relative humidity 90%~95% for 96 hours, shall result no changes to switch's electrical performance

MATERIAL CHARACTERISTICS

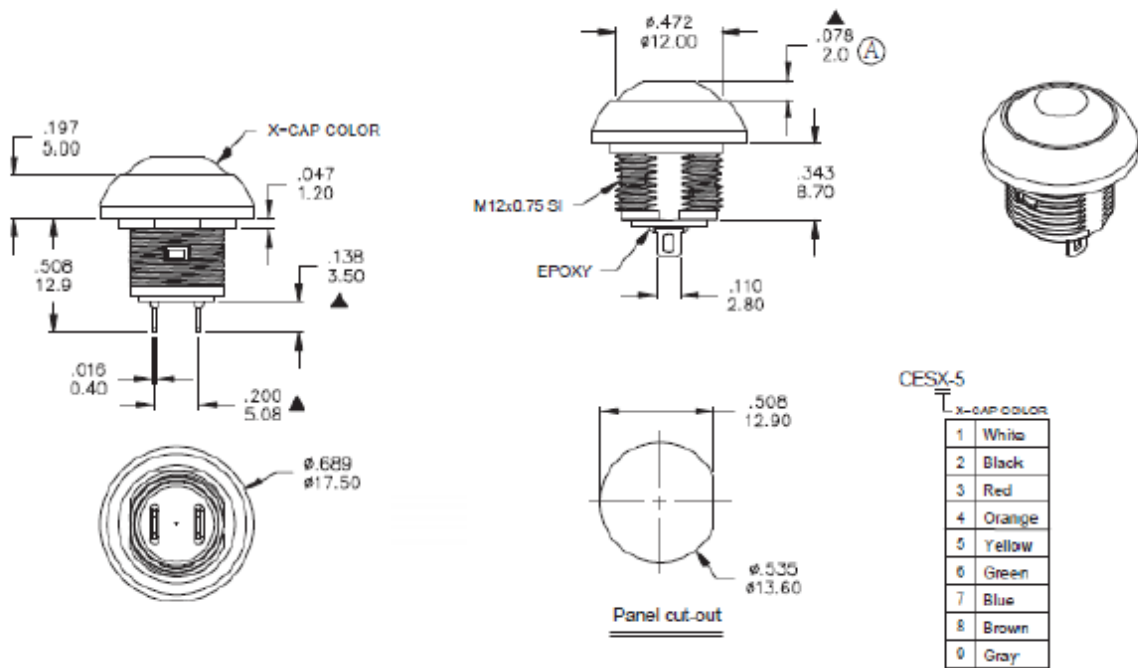
CASE:	DAP
CAP BUSHING:	Polyamide 6/6
CONTACT TERMINAL:	Gold over silver plated

SOLDERING & CLEANING RECOMMENDATION

HAND SOLDERING:	Max. temperature @ 350Celsius degree with continuous soldering time @ 5sec. max.
CLEANING PROCESS:	Noted, the switch is "not totally sealed" so it is important not to immerse/spray or clean unsealed areas of the switch during flux removal. Improper cleaning could cause switch deficiencies such as intermittence or open contact failures

RS P/N

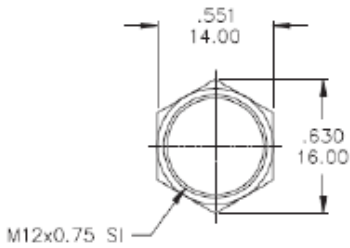
Single Pole off / Momentary Square Black Chrome	8919839
Single Pole off / Momentary Square Red Chrome	8919832
Single Pole off / Momentary Square Blue Chrome	8919836
Single Pole off / Momentary Square White Chrome	8919845
Single Pole off / Momentary Square Green Chrome	8919848



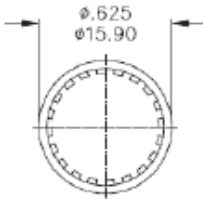
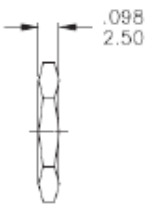
Model No.	POS.1	POS.2
PAGE	OFF	MOM
Term. Conn.	OPEN	SHORT
SCHEMATIC		

SWITCH FUNCTION

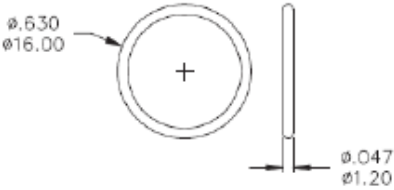
HARDWARE



MNU-PA03



MNU-1M09



FCP- A253

	PART NO.	PART NAME	QTY
1	MNU-PA03	M12 X 0.75 NUTS	1
2	MNU-1M09	LOCKING WASHER	1
3	FCP-A253	O-RING	1