

ST

Foot switch



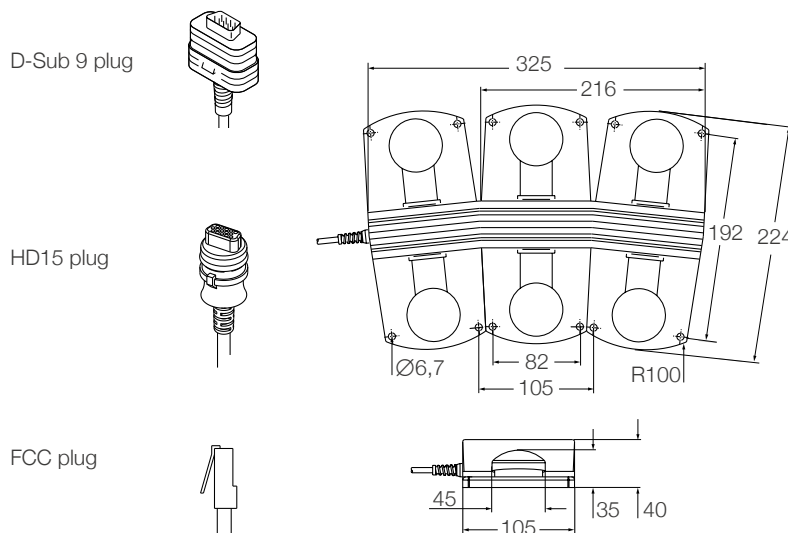
Benefits

- Easy and precise
- Ergonomic design
- Different plug options

Technical data

	Unit	ST
Max. operating channels	n°	3
Operating power	V DC/mA	12/50
Type of protection	IP	x5
Color	–	Blue/anthracite

Dimensional drawing



Suitable pillars, linear actuators and control units

	Pillars		Linear Actuators	Control units								
	TFG 50/90	TXG 4/5/8/9 ¹⁾	MAX 7	SCU 1	SCU 5	SCU 9	VCU 5	VCU 8	VCU 9	BCU 5	BCU 8	MCU
STJ	●			●	●	●	●	●	●	●	●	
STF		●	●									●

¹⁾ Only with FCC plug

Accessories

Description	Designation	Order number
Rubber feet (100 pcs.)	ZBE-135310	0102879
Sticker arrow up	ZKL-135309-0001	0124871
Sticker arrow down	ZKL-135309-0002	0124870

Ordering key

Type _____

Product group: _____
 Classic, D-Sub9 or FCC plug
 Standard, single-fault safety, HD15 plug

Number of channels: _____
 One (1) channel
 Two (2) channels
 Three (3) channels

Cable / connecting plug: _____
 Coiled cable 1,3-2,5 m / D-sub plug
 Coiled cable 1,3-2,5 m / HD15 plug
 Straight cable 2,5 m / D-sub plug
 Straight cable 2,5 m / FCC plug (only for STF01 and STF02)
 Straight cable 2,5 m / HD15 plug

Color: _____
 Anthracite
 Blue

Option: _____
 None
 Mounted with rubber feet

Symbols: _____
 Arrow up/down (on each pair of buttons), 1–3 channels
 Arrow up/down, M/1, 2/3 (3 memory buttons) only for STJ03

F
 J
 1
 2
 3
 LU
 LW
 0U
 0V
 0W
 1
 4
 000
 MAY
 X1
 37