

61

KRE

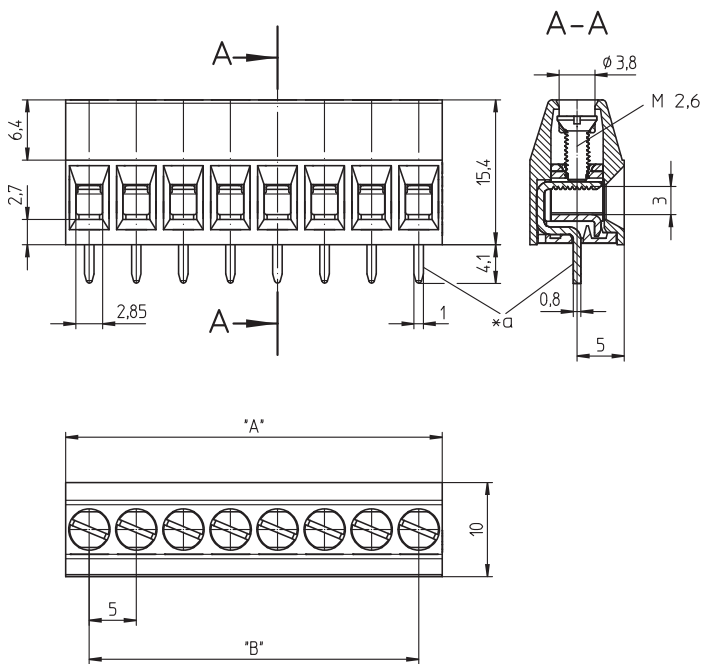
Screw terminal blocks, pitch 3.5/5.0/10.0 mm



Screw terminal block, with lift clamp with protection against misplacing, upright version, consecutive placement without loss of pitch
contact pitch 5.0 mm

Approvals:





*a solder pin for printed circuit board bore hole \varnothing 1.3 mm

Environmental conditions

Temperature range	-25 °C/+125 °C ¹
¹ upper limit temperature (insulating body) RTI (electrical) of the UL Yellow Card	

Materials

Insulating body	PA, V-2 according to UL94
Clamp	steel, zinc-plated and chromated
Wire protector	CuZn, pre-nickel and tin-plated
Screw	steel, zinc-plated and chromated

Mechanical data

Screw size	M2.6
Tightening torque screw	0.4 Nm

Connectable conductors for screw clamp

Section stranded wire	0.2–4.0 mm ² (VDE) AWG 22–14 (UL, CSA)
Section stranded wire with ferrule	0.2–2.5 mm ² (VDE) AWG 22–14 (UL, CSA)
Section solid wire	0.2–4.0 mm ² (VDE) AWG 22–12 (UL)/AWG 22–14 (CSA)
Stripping length	7.0 ± 0.5 mm

Electrical data (at T_{amb} 20 °C)

Rated current	16 A (T _{amb} 100 °C, VDE), 15 A (UL)
Rated voltage	250 V AC ¹
Material group	I (IEC)/0 (UL) (CTI ≥ 600) ¹
Creepage distance	4.0 mm
Clearance	2.62 mm
Insulation resistance	> 1 G Ω

¹ according to IEC 60664/DIN EN 60664, CTI UL classification according to ANSI/UL 746A

Designation	Pole Number	PU (Pieces)	MDQ (Pieces)	Dimensions	
				A (mm)	B (mm)
KRE 02	2	200	1000	10	5
KRE 03	3	200	1000	15	10
KRE 04	4	200	1000	20	15
KRE 05	5	200	1000	25	20
KRE 06	6	200	1000	30	25
KRE 07	7	200	1000	35	30
KRE 08	8	200	1000	40	35
KRE 09	9	200	1000	45	40
KRE 10	10	100	1000	50	45
KRE 12	12	200	1000	60	50
KRE 18	18	100	1000	90	85

Packaging:

in bulk, in a cardboard box