

# High sensitivity, filtered accelerometer

## 799M

### SPECIFICATIONS

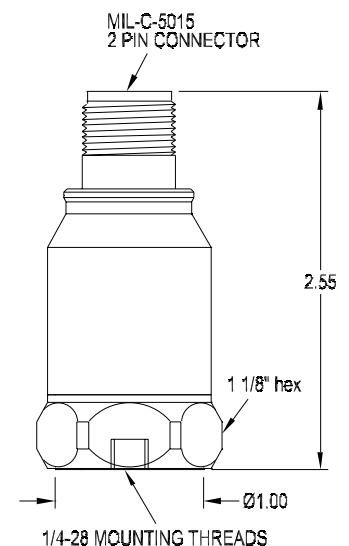
<b>Sensitivity, <math>\pm 5\%</math>, 25°C</b>		1 V/g
<b>Acceleration range</b>		5 g peak
<b>Amplitude nonlinearity</b>		1%
<b>Frequency response:</b>	$\pm 5\%$	0.6 - 1,200 Hz
	$\pm 10\%$	0.4 - 1,600 Hz
	$\pm 3$ dB	0.2 - 2,500 Hz
<b>Resonance frequency</b>		18 kHz
<b>Transverse sensitivity, max</b>		5% of axial
<b>Temperature response:</b>	-50°C	-7%
	+80°C	+5%
<b>Power requirement:</b>		
Voltage source		15 - 30 VDC
Current regulating diode		2 - 10 mA
<b>Electrical noise, equiv. g:</b>		
Spectral	0.1 Hz	15 $\mu$ g
	1 Hz	3 $\mu$ g/ $\sqrt{\text{Hz}}$
	10 Hz	1 $\mu$ g/ $\sqrt{\text{Hz}}$
	100 Hz	1 $\mu$ g/ $\sqrt{\text{Hz}}$
<b>Output impedance, max</b>		400 $\Omega$
<b>Bias output voltage</b>		8.0 VDC
<b>Grounding</b>		case isolated, internally shielded
<b>Temperature range</b>		-50° to +80°C
<b>Vibration limit</b>		250 g peak
<b>Shock limit</b>		5,000 g peak
<b>Electromagnetic sensitivity, equiv. g</b>		150 $\mu$ g/gauss
<b>Sealing</b>		hermetic
<b>Base strain sensitivity, max</b>		0.0005 g/ $\mu$ strain
<b>Sensing element design</b>		PZT, shear
<b>Weight</b>		205 grams
<b>Case material</b>		316L stainless steel
<b>Mounting</b>		1/4-28 tapped hole
<b>Output connector</b>		2 pin, MIL-5015 style
<b>Mating connector</b>		R6 type
<b>Recommended cabling</b>		J9T2A

Accessories supplied: SF6 mounting stud (metric mounting available; calibration data (level 3))



### Key features

- High sensitivity, ultra low noise
- Manufactured in ISO 9001 facility



Note: Due to continuous process improvement, specifications are subject to change without notice.  
This document is cleared for public release.

Connections	
Function	Connector pin
power/signal	A
common	B
ground	shell