

# Switchable junction boxes

## VLS series

VLS enclosures handle up to 48 inputs of standard IEPE sensors. The variety of configuration options allows users to choose exactly what's needed for any application. VLS models feature a data ready LED indicating that sensor BOV levels have stabilized, minimizing data collection time and helping ensure reliability. For online monitoring, optional terminal strip connectors are available.

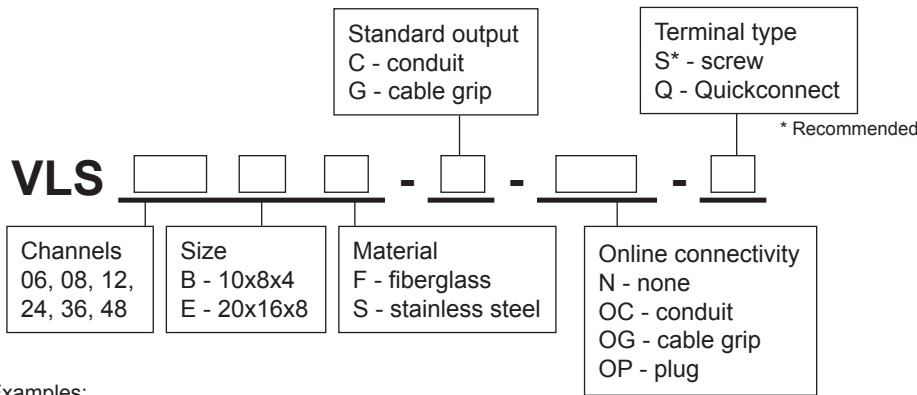


Standard size: 1-12 channels



Expandable size: 12-48 channels

### Ordering guide



Examples:

**VLS06BF-C-OG-S:** 6 channel switchbox, fiberglass 10x8x4 enclosure with screw terminals and conduit outputs, online connectivity with cable grip output

**VLS24ES-G-OP-Q:** 24 channel switchbox, stainless steel 20x16x8 enclosure with Quickconnect terminals and cable grip outputs, online connectivity with plugged hole output

### Key features

- Data ready light for efficient data collection
- Customizable - tailored to your application
- Up to 48 channels and up to 4 boards
- Base or expandable size
- NEMA 4/4X ratings
- Manufactured in an approved ISO 9001 facility

### Certifications



Note: Due to continuous process improvement, specifications are subject to change without notice. This document is cleared for public release.

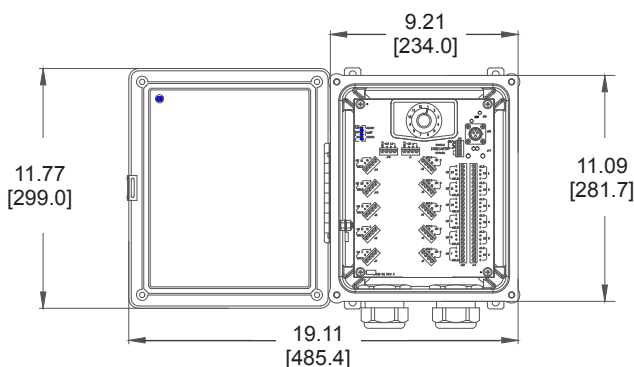
# Switchable junction boxes

## VLS series

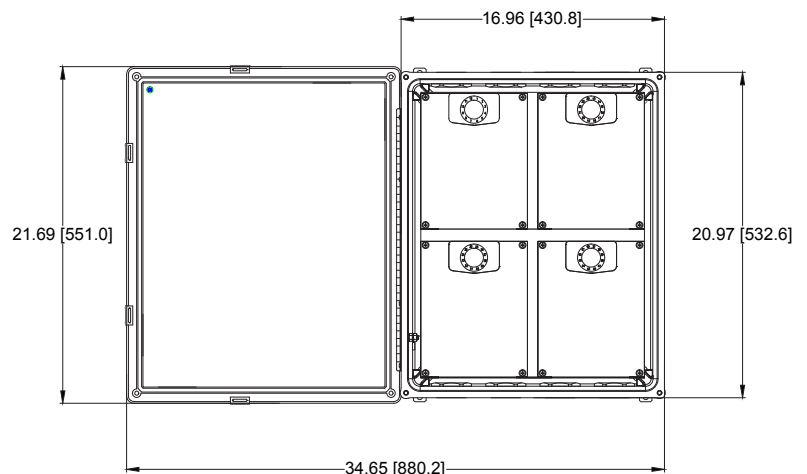
### SPECIFICATIONS

<b>Channels, user-selected</b>	6, 8, 12, 24, 36, 48
<b>Output connectors</b>	BNC and 2 pin MIL-5015
<b>Material, user-selected</b>	fiberglass or stainless steel
<b>Dimensions</b>	10 x 8 x 4 in. (6-12 channels, non-expandable) 20 x 16 x 8 in. (12-48 channels, expandable)
<b>Hinge</b>	stainless steel continuous weld
<b>Latch</b>	stainless steel butterfly knob
<b>Input/output fittings, user-selected</b>	cable grips or conduit
<b>Terminal block connectors</b>	3 positions per channel
<b>Online connectors (optional)</b>	24 multi-pin, removable
<b>Rating:</b>	<b>fiberglass</b> NEMA 4X/IP66 <b>stainless steel</b> NEMA 4/IP66
<b>Mounting</b>	4 stainless steel feet (fiberglass models include configurable feet)
<b>Sensor support</b>	IEPE
<b>Data setting time, variable, indicated by data ready LED</b>	green: stable BOV yellow: BOV stabilizing red: error detected
<b>Channel selector</b>	12 position dial switch, differential switching
<b>Accessories supplied:</b> Transducer location log; mounting feet; grounding lug; cable grip plugs (if applicable)	

Standard model (6-12 channels)



Expandable model (12-48 channels)



Note: Due to continuous process improvement, specifications are subject to change without notice. This document is cleared for public release.