

- > **Port size: 1/4" to 3/8" (PTF/ISO G)**
- > **Excelon® Plus design allows in-line installation or modular installation with other Excelon® Plus products**
- > **5 or 40 micron particle and high efficiency water removal (> 95%)**
- > **Double safety lock bowl**
- > **Push to lock adjusting knob with built in tamper resistant feature**
- > **Metal bowl with prismatic liquid level indicator lens**
- > **Light weight Polycarbonate bowl with guard**
- > **Easy to read flush mounted integrated pressure gauge**



Technical features

Medium:

Compressed air only

Maximum supply pressure:

Polycarbonate bowl:
145 psi (10 bar)
Metal bowl: 246 psi (17 bar)

Outlet pressure ranges:

4 to 145 psi (0.3 to 10 bar),
4 to 58 psi (0.3 to 4 bar),
2 to 246 psi (0.7 to 17 bar)

Filter element:

5 µm & 40 µm

Port size:

G1/4, G3/8, 1/4 PTF, 3/8 PTF

Gauge:

Integrated as standard
Gauge port 1/8 as option

Diaphragm Type:

Relieving

Flow:

79 scfm (37 dm³/s) at port size 1/4",
79 scfm (37 dm³/s) at port size 3/8",
inlet pressure 145 psi (10 bar),
operating pressure 91 psi (6.3 bar)
and a Δp: 7.25 psi (0.5 bar) drop
from set. Filter element: 40 µm

Drain:

Manual or automatic

Automatic drain operating conditions (float operated):

Bowl pressure required to close drain: > 5 psi (0.35 bar)
Bowl pressure required to open drain: ≤ 2.9 psi (0.2 bar)
Minimum air flow required to close drain: 2 scfm (1 dm³/s)

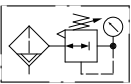
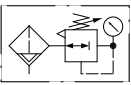
Ambient/Media temperature:

Polycarbonate bowl:
+14 to +140°F (-10 to +60°C)
Metal bowl:
-4 to +149°F (-20 to +65°C)
Air supply must be dry enough
to avoid ice formation at
temperatures below +35°F (+2°C).

Materials:

Body: Die cast aluminum
Body covers: ABS
Bonnet: Acetal/ Aluminum
Valve: PP
Bowl: Transparent PC with
PP guard or die cast zinc
Liquid level indicator lens
(metal bowl): PA
Filter element: sintered PP
Bowl 'o'- ring: Chloroprene
Elastomers: NBR

Technical data B82G

Symbol	Port Size (PTF)	Drain	Pressure range psi (bar)	Filter element (µm)	Bowl	Weight lb (kg)	Model *1
	1/4	Auto	4 to 145 (0.3 to 10)	40	Guarded polycarbonate	0.6 (0.3)	B82G-2AK-AP3-RMG
	3/8	Auto	4 to 145 (0.3 to 10)	40	Guarded polycarbonate	0.6 (0.3)	B82G-3AK-AP3-RMG
	1/4	Auto	4 to 145 (0.3 to 10)	40	Metal with level indicator	1.1 (0.5)	B82G-2AK-AD3-RMG
	3/8	Auto	4 to 145 (0.3 to 10)	40	Metal with level indicator	1.1 (0.5)	B82G-3AK-AD3-RMG
	1/4	Manual	4 to 145 (0.3 to 10)	40	Guarded polycarbonate	0.6 (0.3)	B82G-2AK-QP3-RMG
	3/8	Manual	4 to 145 (0.3 to 10)	40	Guarded polycarbonate	0.6 (0.3)	B82G-3AK-QP3-RMG
	1/4	Manual	4 to 145 (0.3 to 10)	40	Metal with level indicator	1.1 (0.5)	B82G-2AK-QD3-RMG
	3/8	Manual	4 to 145 (0.3 to 10)	40	Metal with level indicator	1.1 (0.5)	B82G-3AK-QD3-RMG

*1) All models shown here are supplied with integrated gauge applicable for flow direction left to right.

With flow direction right to left please use the online configurator www.imi-precision.com/air-preparation-configurator or contact IMI Norgren

Option selector *1)

B82G-★ ★ ★ - ★ ★ ★ - R ★ ★

Port size	Substitute
1/4"	2
3/8"	3
Thread form	Substitute
PTF	A
ISO G parallel	G
Adjustment	Substitute
Knob	K
T-bar	T*2)
Drain	Substitute
Manual	Q
Auto drain	A
Bowl	Substitute
Metal with liquid indicator	D*2)
Transparent with guard	P

Gauge	Substitute
With integrated gauge	G
Without integrated gauge but with gauge port 1/8"	N
Pressure range *3)	Substitute
4 to 58 psi (0.3 to 4 bar)	F
4 to 145 psi (0.3 to 10 bar)	M
10 to 246 psi (0.7 to 17 bar)	S*2)
Element	Substitute
40 µm	3
5 µm	1

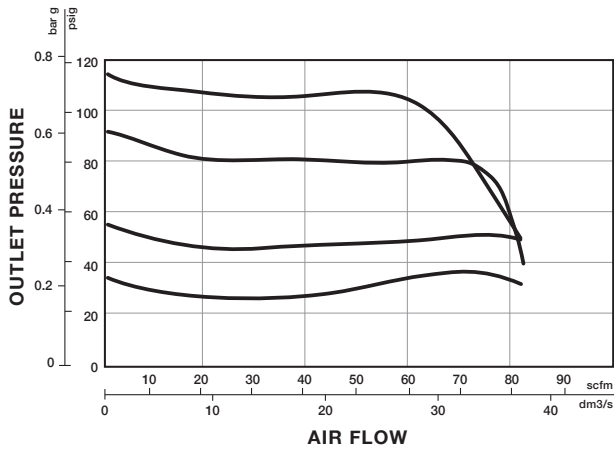
*1) All models shown here are applicable for flow direction left to right. With flow direction right to left please use the online configurator www.imi-precision.com/air-preparation-configurator or contact IMI Norgren

*2) Units with 246 psi (17 bar) outlet pressure range are available only with the T-bar adjustment and metal bowl; therefore substitute T at the 7th position, D at the 9th position, and S at the 12th position. T-bar handle only available with 17 bar option.

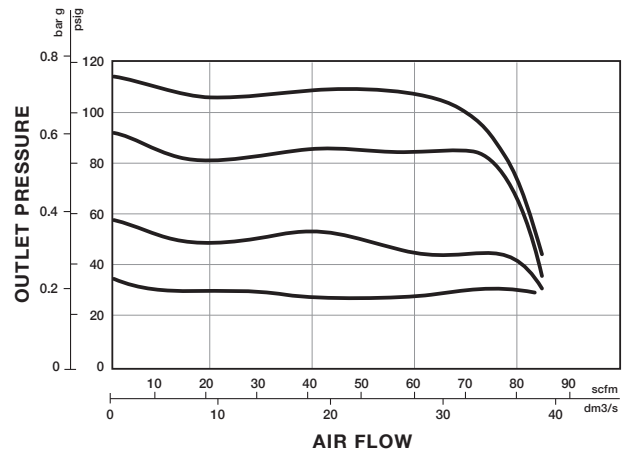
*3) Outlet pressure can be adjusted to pressures in excess of, and less than, those specified. Do not use these units to control pressures outside of the specified ranges.

Flow characteristics

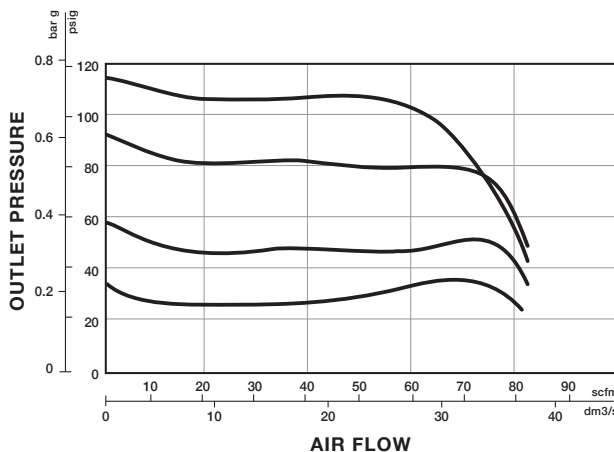
Inlet pressure: 145 psi (10 bar)
Range: 4 to 145 psi (0.3 to 10 bar)
Port size: 1/4", 5 µm element



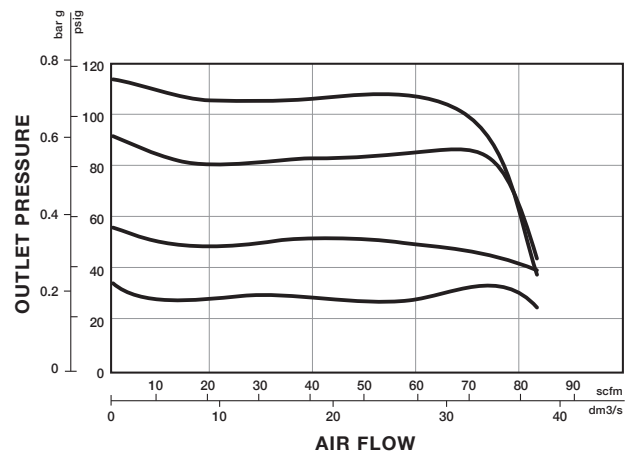
Inlet pressure: 145 psi (10 bar)
Range: 4 to 145 psi (0.3 to 10 bar)
Port size: 3/8", 5 µm element



Inlet pressure: 145 psi (10 bar)
Range: 4 to 145 psi (0.3 to 10 bar)
Port size: 1/4", 40 µm element



Inlet pressure: 145 psi (10 bar)
Range: 4 to 145 psi (0.3 to 10 bar)
Port size: 3/8", 40 µm element



Accessories

Quikclamp® <p>page 3 820014-51KIT</p>	Quikclamp® with bracket assembled <p>page 3 820014-52KIT</p>	Neck mounting bracket and panel nut <p>page 4 820068-51KIT</p>	Panel mounting nut <p>page 4 820048-89KIT</p>	Mounting bracket <p>page 4 820024-50KIT</p>
Integrated gauge 10 bar gauge <p>820073-01KIT</p>	Integrated gauge 20 bar gauge <p>820073-02KIT</p>	Integrated gauge 6 bar gauge <p>820073-03KIT</p>	Gauge adaptor kit 1/8 PTF <p>820100-01KIT</p>	Gauge adaptor kit R 1/8 <p>820100-02KIT</p>
Pressure sensing block 1/4 PTF <p>page 4 820016-50KIT</p>	Pressure sensing block G1/4 <p>page 4 820016-51KIT</p>	Padlock <p>840055-01KIT</p>	Lockout device <p>840055-02KIT</p>	Digital pressure switch 51D (-14 to 145 psi) <p>page 5 0860811000000000</p>
Full flow porting block 3/8 PTF <p>page 4 820028-50KIT</p>	Full flow porting block G3/8 <p>page 4 820028-53KIT</p>	Pressure switch interface block (18D pressure switch) G1/4 <p>page 5 0523109000000000</p>	Pneumatic pressure switch 18D (7 to 120 psi) <p>page 5 0881300000000000</p>	Service Kit <p>R82 / B82 Elastomer kit FRLB82-Kit</p>
Port Adaptors 1/4 PTF <p>page 5 820015-02KIT</p>	Port Adaptors 3/8 PTF <p>page 5 820015-03KIT</p>	Port Adaptors G1/4 <p>page 5 820015-08KIT</p>	Port Adaptors G3/8 <p>page 5 820015-09KIT</p>	

Gauges (For regulators with gauge port instead of integrated port)

Center back connection, white face

Pressure range					
(psi)	(bar)*3	(MPa)	ø	Thread size	Model
0 to 84	0 to 6	0 to 0.6	2"	R1/8	18-015-012
0 to 145	0 to 10	0 to 1	2"	R1/8	18-015-013
0 to 362	0 to 25	0 to 2.5	2"	R1/8	18-015-014

*3) primary scale

Gauges

Center back connection, black face

Pressure range					
(psi) *3	(bar)	(MPa)	ø	Thread size	Model
0 to 60	0 to 4	0 to 0.4	2"	1/8" NPT	18-015-202
0 to 160	0 to 11	0 to 1.1	2"	1/8" NPT	18-015-204
0 to 300	0 to 20	0 to 2.1	2"	1/8" NPT	18-015-205

*3) primary scale

Maintenance/Service

**Auto drain kit with
metal Nut - Inch**



6000-61KIT

**Auto drain kit with
metal Nut - Metric**



6000-60KIT

**R82 / B82
Elastomer Kit**



FRLB82-KIT

**Filter cartridges
5 micron**



820038-50KIT

**Filter cartridges
40 micron**



820038-51KIT

**Filter Bowl
(Guarded Poly bowl with
auto drain 6 mm PIF)**



820025-51KIT

**Filter Bowl
(Guarded Poly bowl
with manual drain)**



820025-50KIT

**Filter Bowl
(Metal with S/Glass
& auto drain, 6 mm PIF)**



820003-51KIT

**Filter Bowl
(Metal with S/Glass
& manual drain)**



820003-50KIT

**Filter Bowl
(Guarded Poly bowl
with auto drain, 1/4 PIF)**



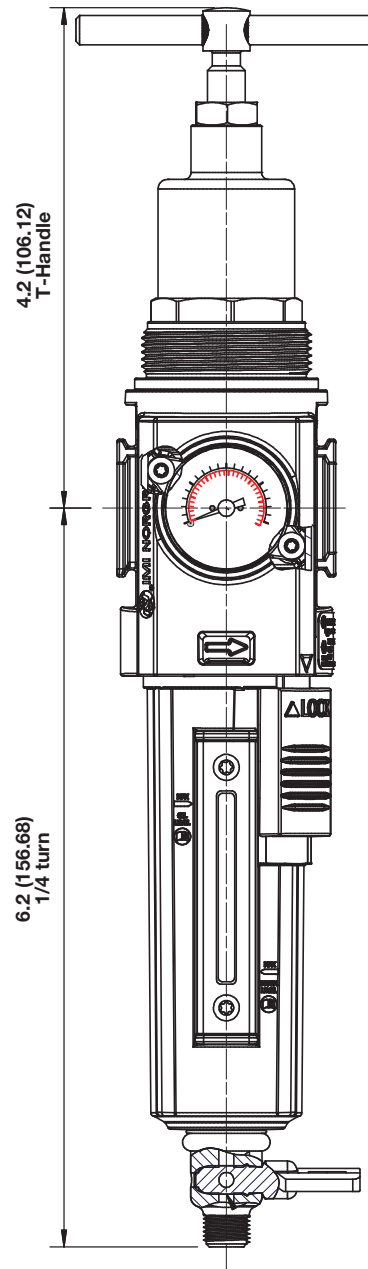
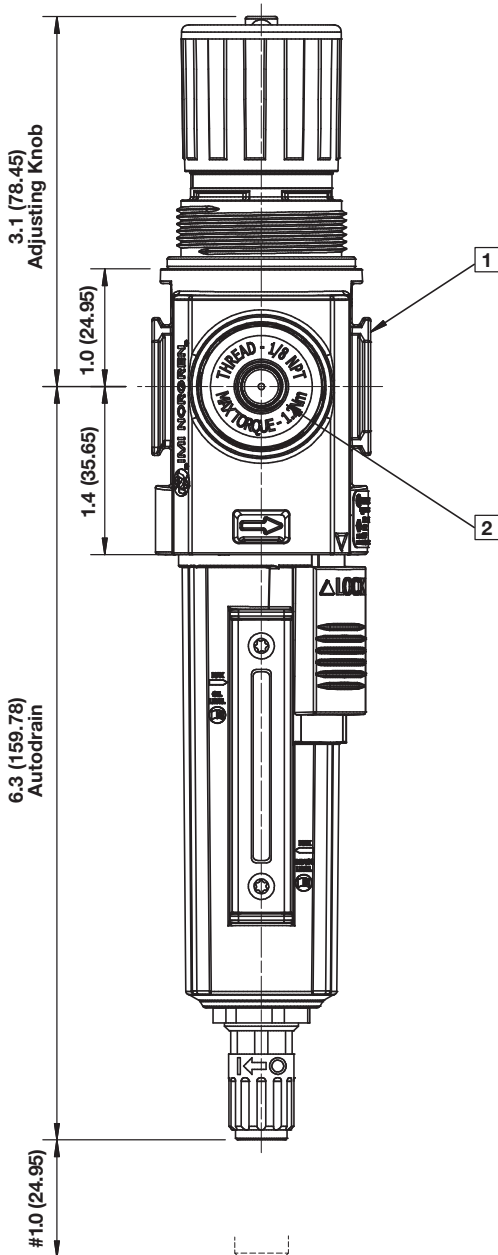
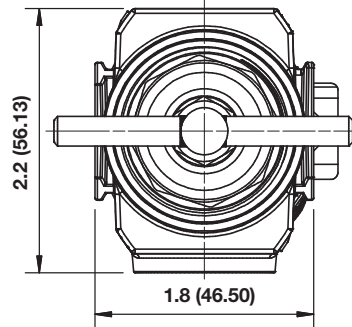
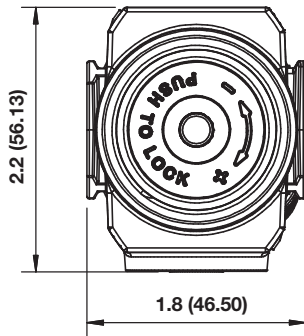
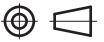
820025-53KIT

**Filter Bowl
(Metal with S/Glass
& auto drain, 1/4 PIF)**



820003-56KIT

Dimensions

 Dimensions in inches (mm)
 Projection/Third angle


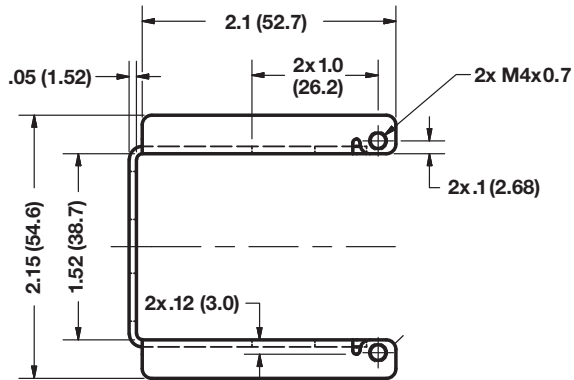
Minimum clearance for bowl removal

- 1 Main ports 1/4", 3/8" (ISO G/PTF)
- 2 Gauge port Rc 1/8 for ISO G and 1/8 PTF for PTF main ports

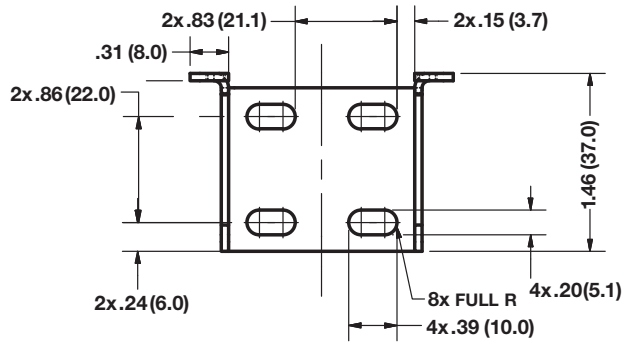
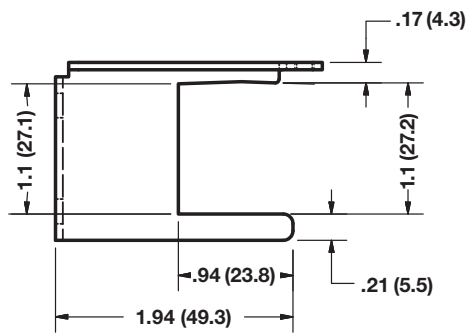
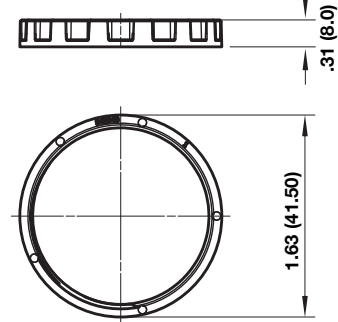
Dimensions in inches (mm)
 Projection/Third angle

Accessories

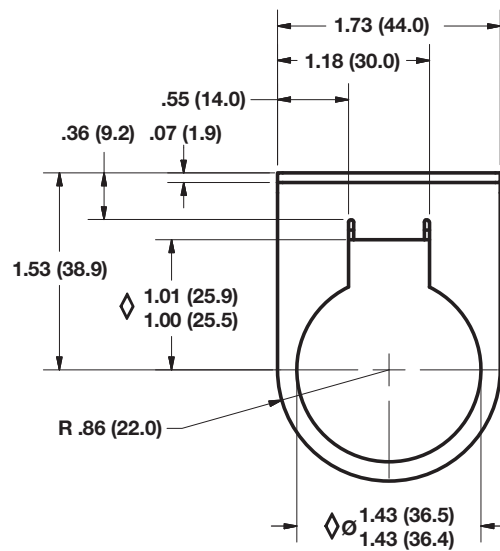
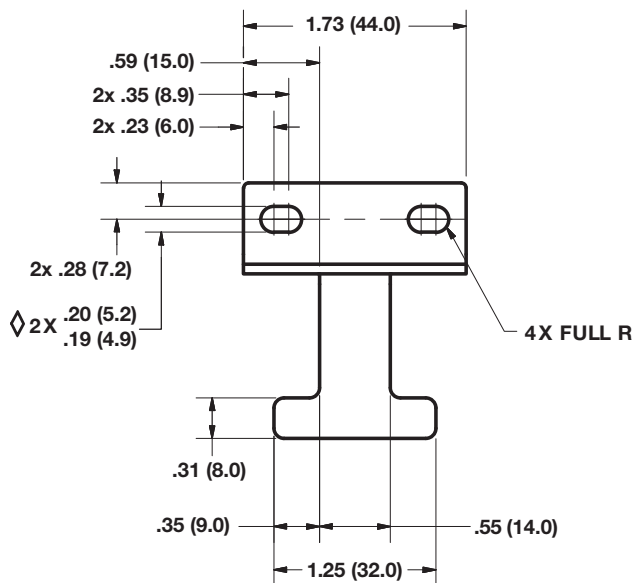
Mounting bracket



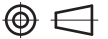
Panel mounting nut



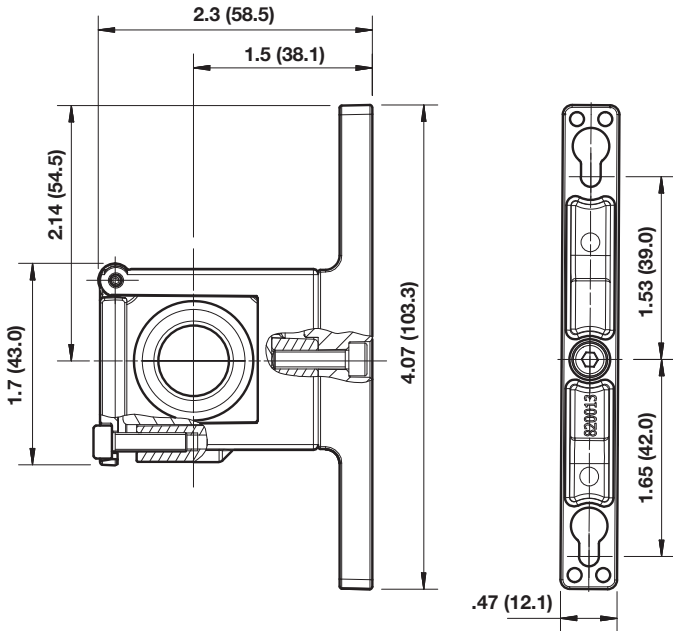
Neck mounting bracket



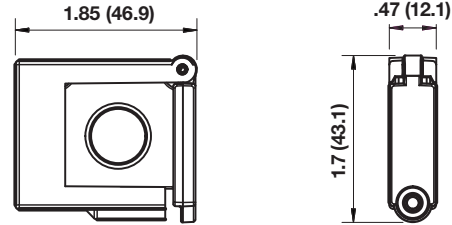
Dimensions in inches (mm)
 Projection/Third angle



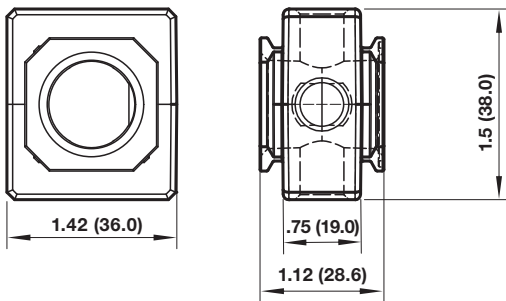
Quikclamp® with wall bracket



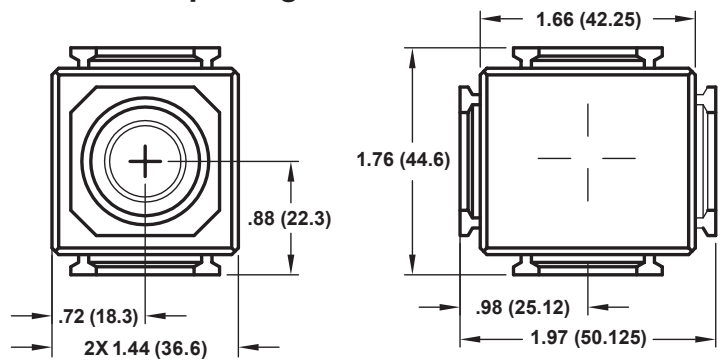
Quikclamp®



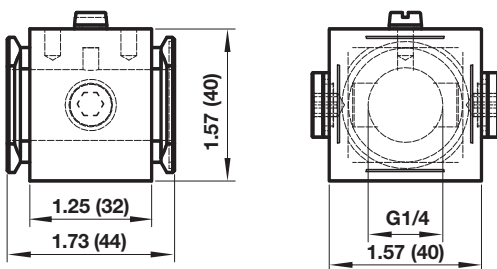
Pressure sensing block



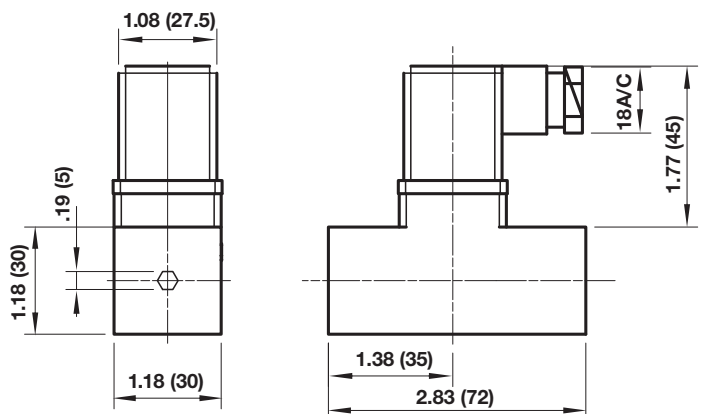
Full flow porting block



Porting block for 18D pressure switch

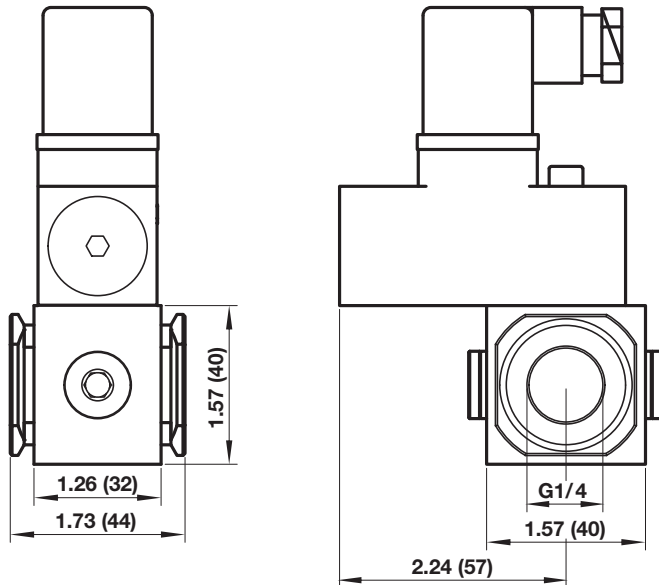


18D Pressure switch

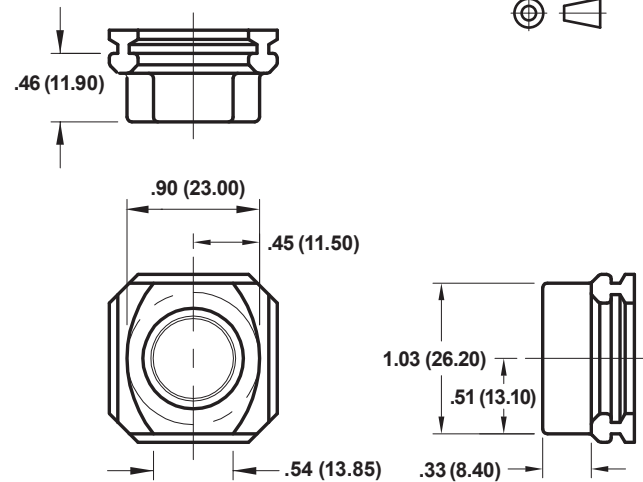


Dimensions in inches (mm)
 Projection/Third angle

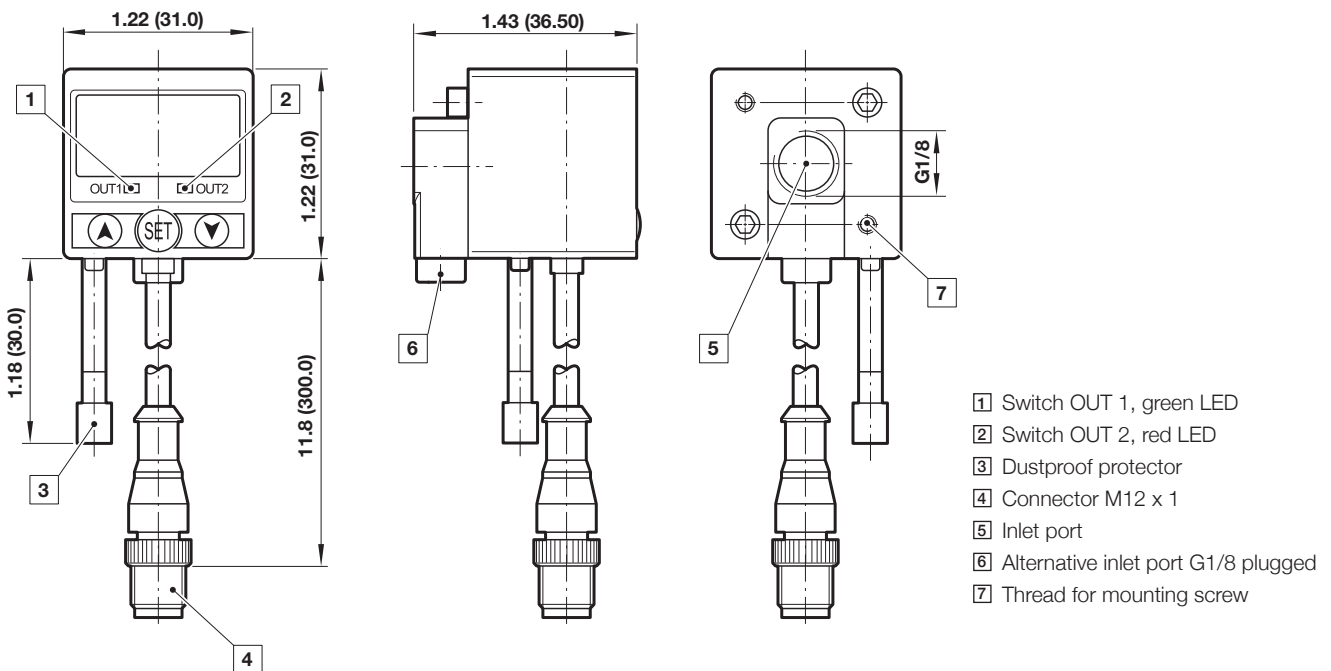
18D Porting block and 18D assembled



Pipe adaptor



51D Pressure switch - digital



- 1 Switch OUT 1, green LED
- 2 Switch OUT 2, red LED
- 3 Dustproof protector
- 4 Connector M12 x 1
- 5 Inlet port
- 6 Alternative inlet port G1/8 plugged
- 7 Thread for mounting screw

Warning

These products are intended for use in industrial compressed air systems only. Do not use these products where pressures and temperatures can exceed those listed under »Technical features/data«. Before using these products with fluids other than those specified, for non-industrial applications, life-support systems or other applications not within published specifications, consult IMI Precision Engineering, Norgren Ltd.

Through misuse, age, or malfunction, components used in fluid power systems can fail in various modes. The system designer is warned to consider the failure modes of all component parts used in fluid power systems and to provide adequate safeguards to prevent personal injury or damage to equipment in the event of such failure. System designers must provide a warning to end users in the system instructional manual if protection against a failure mode cannot be adequately provided. System designers and end users are cautioned to review specific warnings found in instruction sheets packed and shipped with these products.