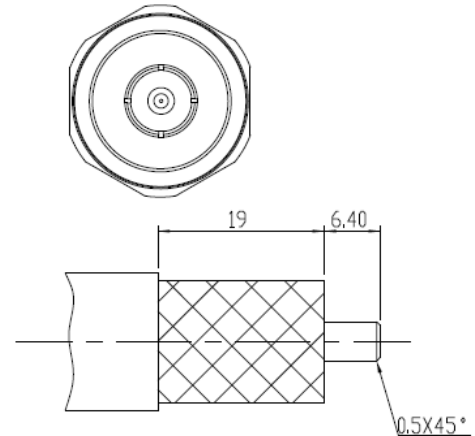
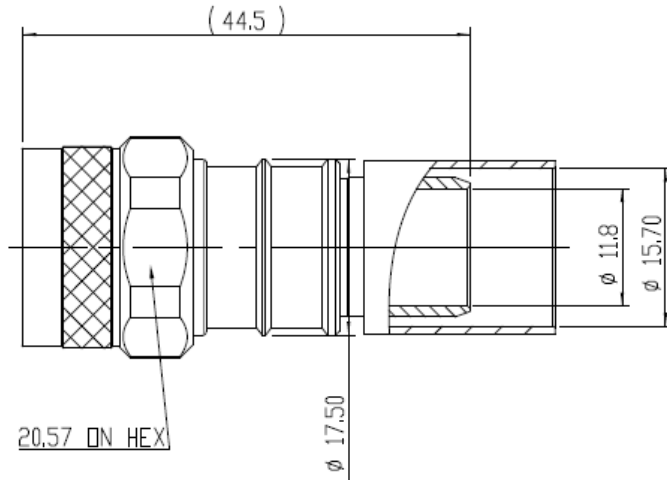


NOTICE OF PROPRIETARY RIGHTS THIS DOCUMENT CONTAINS CONFIDENTIAL TECHNICAL DATA, INCLUDING TRADE SECRETS, PROPRIETARY TO TIMES MICROWAVE SYSTEMS. DISCLOSURE OF THIS DATA IS EXPRESSLY CONDITIONED UPON YOUR ASSENT THAT ITS USE IS LIMITED TO USE WITHIN YOUR COMPANY ONLY. ANY OTHER USE IS STRICTLY PROHIBITED WITHOUT THE PRIOR WRITTEN CONSENT OF TIMES MICROWAVE SYSTEMS.

SYM	REVISION DESCRIPTION	DFTM	DATE	APPD	DATE
A	RELEASED FOR PRODUCTION	D. J. H.	8/9/11	J. D. B.	8/16/11
B	CHANGED PER CDC #36735	N.N.N	4/8/13	J. D. B.	4/10/13



Reference standard IEC60169-16

I. Electric Performance

Nominal Impedance(Ω): 50
 Frequency Range: DC-6GHz
 VSWR: $\leq 1.3(0-6G)$
 Insert Loss: ≤ 0.10
 Insulation resistance (M Ω): >5000
 Proof voltage (V): 2500
 Conductor resistance (m Ω): outer conductor <0.4
 inner conductor <0.8

II. Mechanical Performance

Tensile force(cable-connect) 400N
 Torsion(cable-connect) 2N.m

III. Material and plating:

Component	Material	Plating
inner conductor	Brass	Au>1.27 μ m
outer conductor	Brass	Copper-tin-zinc>2 μ m
insulator	PTFE	
nut	Brass	Copper-tin-zinc>2 μ m

IV. Environment

Temp range -55 $^{\circ}$ C~+155 $^{\circ}$ C
 Weather standard IEC 60068 55 / 155/ 56
 Thermal shock US MIL-STD 202,Meth.107,Cond.B
 Vibration US MIL-STD 202,Meth.204,Cond.B
 Shock US MIL-STD 202,Meth.213,Cond.I
 ROHS compliant

V. Assemble: inner conductor soldered and outer conductor crimped

MATERIAL:	UNLESS OTHERWISE SPECIFIED ALL DIMENSIONS ARE IN mm MACHINED SURFACES FINISH N/A RMS MAX. REMOVE ALL BURRS N/A MAX. BREAK MACHINE CORNERS N/A MAX. FILLET R. TOLERANCES ON DECIMALS . XX \pm N/A . XXX \pm N/A ANGLES \pm 1 $^{\circ}$ FRACTIONS \pm N/A	DFTM. D. J. H.	TIMES MICROWAVE SYSTEMS	
		DATE 8/9/11	TC-600-NMH-X "N" MALE FOR LMR-600 CABLE SOLDER/CRIMP/NO BRAID TRIM	
USED ON: 1-0	CHKD. J. D. B.			
SCALE: N/A	DATE 8/16/11			
DWG. SIZE A	DO NOT SCALE DRAWING	APPD. J. D. B.	DATE 8/16/11	1 of 1
	CODE IDENT 68999			SD3190-2628
				REV B