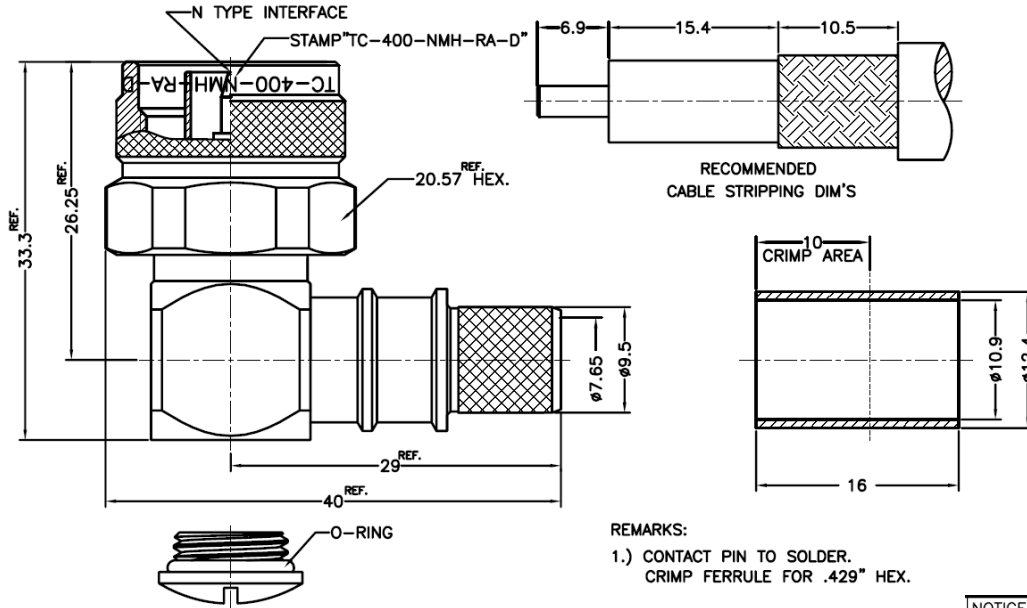


**NOTICE OF PROPRIETARY RIGHTS** THIS DOCUMENT CONTAINS CONFIDENTIAL TECHNICAL DATA, INCLUDING TRADE SECRETS, PROPRIETARY TO TIMES MICROWAVE SYSTEMS. DISCLOSURE OF THIS DATA IS EXPRESSLY CONDITIONED UPON YOUR ASSENT THAT ITS USE IS LIMITED TO USE WITHIN YOUR COMPANY ONLY. ANY OTHER USE IS STRICTLY PROHIBITED WITHOUT THE PRIOR WRITTEN CONSENT OF TIMES MICROWAVE SYSTEMS.

SYM	REVISION DESCRIPTION	DFTM	DATE	APPD	DATE
A	RELEASED FOR PRODUCTION	D. J. H.	5/30/07	J. D. B.	5/30/07
B	CHANGED PER CDC #27394	D. J. H.	10/2/07	J. D. B.	10/2/07
C	CHANGED PER CDC #27653	D. J. H.	12/6/07	J. D. B.	12/10/07
D	CHANGED PER CDC #28404	D. J. H.	5/27/08	J. D. B.	5/27/08

THIS CONNECTOR IS INDIVIDUALLY PACKAGED. FOR BULK PACKAGING, SEE 3190-2293BLK.



REMARKS:  
1.) CONTACT PIN TO SOLDER.  
CRIMP FERRULE FOR .429" HEX.

NOTICE: ALL PARTS MUST MEET TO RoHS REQUIREMENTS

MATERIALS AND PLATING UNIT: MICRO-INCHES			ELECTRICAL CHARACTERISTICS	
BODY, SHELL	BRASS C3604	ALBALOY (COPPER-TIN-ZINC) PL.80 MIN.	Impedance	50 Ω
CONTACT PIN	BRASS C3604	GOLD 50/ COPPER	Voltage rating	1000V(rms)
INSULATOR	TEFLON MIL-P-19468	RED	Frequency range	0~11GHz
FERRULE	COPPER	ALBALOY (COPPER-TIN-ZINC) PL.80 MIN.	Dielectric withstanding voltage	1500V
GASKET	SILICONE	RED	Contact resistance	Center contact: ≤1mΩ Outer contact: ≤0.25mΩ
<b>(MECHANICAL CHARACTERISTICS)</b> Force to engage and disengage: 6 lbs MAX. Center contact retention force: 6 lbs MIN. Coupling torque: 30 in-lbs MIN. Coupling nut retention force: 100 lbs MIN. Durability: ≥ 500 cycles			Insulation resistance	≥5000MΩ
			Insertion loss	According as the cable
			RF-leakage	-90 dB up to 3 GHz
			VSWR	≤1.25 (DC-2.5GHz)
			3rd Intermodulation	-
			ENVIRONMENTAL CHARACTERISTICS	
			Temperature range	-55° C - +155° C
			Thermal shock	US MIL- STD 202, Meth. 107, Cond. B
			Vibration	US MIL- STD 202, Meth. 204, Cond. B
			Shock	US MIL- STD 202, Meth. 213, Cond. I
			Climatic class	IEC 60068 65/165/21

MATERIAL: UNLESS OTHERWISE SPECIFIED	ALL DIMENSIONS ARE IN INCHES MACHINED SURFACES FINISH N/A RMS MAX. REMOVE ALL BURRS .005 MAX. BREAK MACHINE CORNERS .005 MAX. FILLET R. TOLERANCES ON DECIMALS .XX ± 0.2 .XXX ± 0.1 ANGLES ± 3° FRACTIONS ± N/A	DFTM: D. J. H.	TIMES MICROWAVE SYSTEMS
		DATE: 5/30/07	
USED ON: 0		CHKD: J. D. B.	<b>TC-400-NMH-RA-D</b> 90° N MALE (INDIVIDUALLY PACKAGED) FOR LMR400 CABLE
		DATE: 5/30/07	
SCALE: N/A	DWG. SIZE: A	APPD: J. D. B.	
DO NOT SCALE DRAWING	CODE IDENT: 68999	DATE: 5/30/07	1 of 1 SD3190-2293 REV: D