

Industrial accelerometer

786C

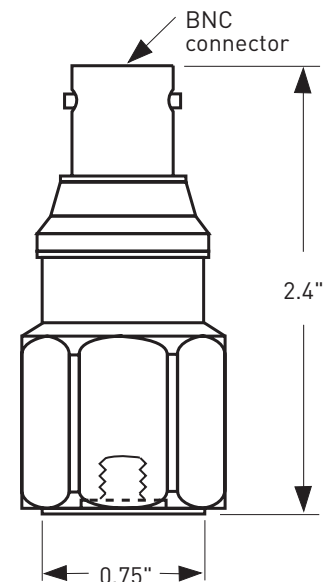
SPECIFICATIONS

Sensitivity, $\pm 5\%$, 25°C		100 mV/g
Acceleration range, VDC > 25 V		80 g peak
Amplitude nonlinearity		1%
Frequency response, nominal:	$\pm 10\%$	1 - 9,000 Hz
	± 3 dB	0.5 - 14,000 Hz
Resonance frequency, mounted, nominal		30 kHz
Transverse sensitivity, max		5% of axial
Temperature response:	-25°C	-10%
	+120°C	+10%
Power requirement:		
Voltage source		18 - 30 VDC
Current regulating diode		2 - 10 mA
Electrical noise, equiv. g, nominal:		
Broadband	2.5 Hz to 25 kHz	700 μ g
	10 Hz	10 μ g/ \sqrt Hz
Spectral	100 Hz	5 μ g/ \sqrt Hz
	1,000 Hz	5 μ g/ \sqrt Hz
Output impedance, max		100 Ω
Bias output voltage, nominal		12 VDC
Grounding		case isolated, internally shielded
Temperature range		-50° to +120°C
Vibration limit		500 g peak
Shock limit		5,000 g peak
Electromagnetic sensitivity, equiv. g, max		70 μ g/gauss
Sealing¹		IP67
Base strain sensitivity, max		0.0002 g/ μ strain
Weight		90 grams
Case material		316L stainless steel
Mounting		1/4-28 UNF tapped hole
Connector		BNC

Notes: ¹ The 786C employs a watertight epoxy seal.
Accessories supplied: SF6 mounting stud

Key features

- General purpose with BNC connector
- Manufactured in ISO 9001 facility



Connections	
Function	Connector pin
power/signal	A
common	B



Note: Due to continuous process improvement, specifications are subject to change without notice.
 This document is cleared for public release.