

Class I Div 2 certified accelerometer




787A-M8-D2

SPECIFICATIONS

| | | |
|---|---|------------------------|
| Sensitivity, $\pm 5\%$, 25°C | 100 mV/g | |
| Acceleration range | 80 g peak | |
| Amplitude nonlinearity | 1% | |
| Frequency response: | $\pm 10\%$ | 1.0 - 5,000 Hz |
| | ± 3 dB | 0.7 - 10,000 Hz |
| Resonance frequency, mounted, min | 22 kHz | |
| Transverse sensitivity, max | 5% of axial | |
| Temperature response: | -55°C | -20% |
| | +120°C | +10% |
| Power requirement: | | |
| Voltage source | 18 - 28 VDC | |
| Current regulating diode | 2 - 10 mA | |
| Electrical noise, equiv. g, nominal: | | |
| Broadband | 2.5 Hz to 25 kHz | 700 μ g |
| Spectral | 10 Hz | 10 μ g/ \sqrt Hz |
| | 100 Hz | 5 μ g/ \sqrt Hz |
| | 1,000 Hz | 5 μ g/ \sqrt Hz |
| Output impedance, max | 100 Ω | |
| Bias output voltage, nominal | 12 VDC | |
| Grounding | case isolated, internally shielded | |
| Temperature range | -55° to +120°C | |
| Vibration limit | 500 g | |
| Shock limit, min | 5,000 g | |
| Electromagnetic sensitivity, equiv. g, max | 70 μ g/gauss | |
| Sealing | hermetic | |
| Base strain sensitivity, max | 0.002 g/ μ strain | |
| Weight | 145 grams | |
| Case material | 316L stainless steel | |
| Mounting | M8 captive hex head screw with 0.046" diameter safety wire hole | |
| Output connector | 2 pin, MIL-C-5015 style | |
| Mating connector | R6D2 | |
| Recommended cabling | J10 / J9T2A, no more than 100 ft. | |

Accessories supplied: SCM8125 captive hex head screw; calibration data

Certifications

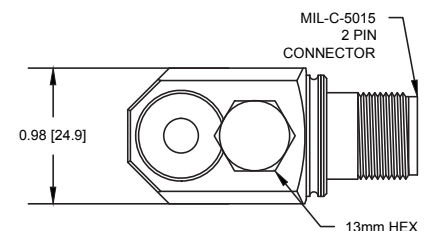
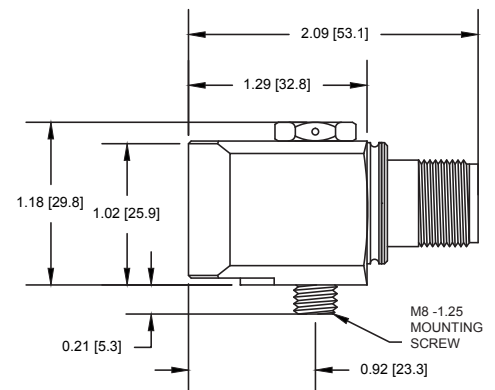
| | | | | |
|--|----------------------------------|---|-----------------|---|
|  | Class I, Div 2 Groups A, B, C, D |  | II 3 G |  |
| | Class I, Zone 2 | | Ex nA IIC T4 Gc | |
| | AEx/Ex nA II T4 | | | |
| | Tamb: -50°C to 120°C | | | |

Must be installed per 13029. • Ambient temperature range depends on the type cable used during installation. • Cable with FEP jacket, Ta=-50°C to +120°C. • Cable with Santoprene jacket, Ta=-45°C to +115°C.



Key features

- Certified for use in Class I, Div 2/Zone 2 hazardous areas
- API 670 compliant
- Manufactured in ISO 9001 facility



| Connections | |
|--------------|---------------|
| Function | Connector pin |
| power/signal | A |
| common | B |
| ground | shell |

Note: Due to continuous process improvement, specifications are subject to change without notice. This document is cleared for public release.