

RoHS compliant

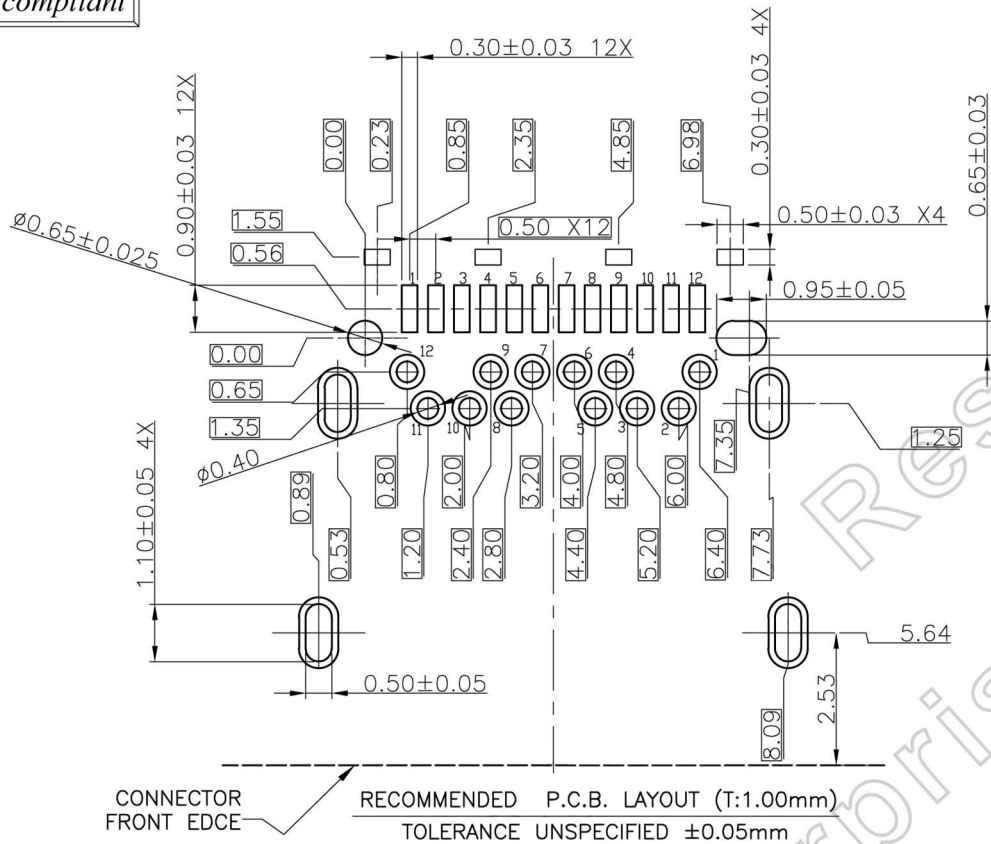
PRELIMINARY

CONFIDENTIAL DOCUMENT! THE INFORMATION CONTAINED IN THIS DRAWING IS THE SOLE PROPERTY OF CIE-GROUP LTD. ANY REPRODUCTION IN PART OR WHOLE WITHOUT THE WRITTEN PERMISSION OF CIE-GROUP LTD IS PROHIBITED.
The cable assy should comply with the European Parliament and the Council Directive : 2011/65/EU for the restriction of hazardous substances (ROHS) . The manufacturer will provide a certification proving the ROHS compliance of the cable assy whenever customer requires such.

HF compliant



CIE-Group Ltd 3 Widdowson Close Blenheim Ind Est Bulwell Nottingham NG6 8WB England
T: +44(0)115 9770075 F: +44(0)115 9770081 E: info@cie-group.com W: www.cie-group.com



SPECIFICATIONS:

1. MECHANICAL :

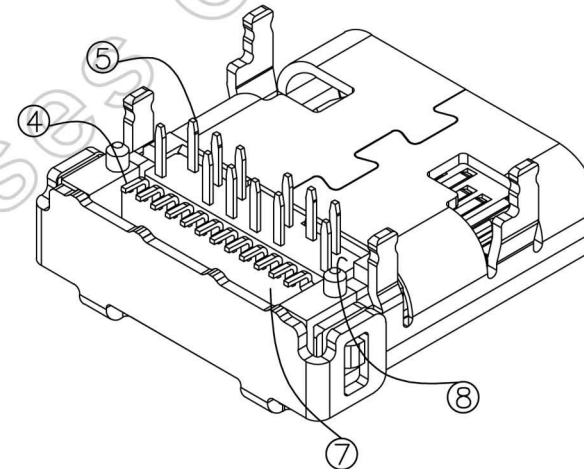
- 1.1 INSERTION FORCE :5N~20N
- 1.2 WITHDRAWAL FORCE :8N~20N
AFTER 10,000 CYCLES MATING: 2N MIN.

2. ELECTRICAL :

- 2.1 CONTACT CURRENT RATING: 3A .
- 2.2 VOLTAGE RATING :30V AC (rms)
- 2.3 WITHSTANDING VOLTAGE: 100 VAC FOR 1 MINUTE.
INSULATION RESISTANCE: 100 MEGAOHMS MIN.
- 2.4 CONTACT RESISTANCE: 40 MILLIOHMS MAX.

3. ENVIRONMENTAL :

- 3.1 OPERATING TEMPERATURE:-25°C TO +85°C



	A		B
1	GND	12	GND
2	SSTXp1	11	SSRXp1
3	SSTXn1	10	SSRXn1
4	VBUS	9	VBUS
5	CC1	8	SUB2
6	Dp1	7	Dn2
7	Dn1	6	Dp2
8	SUB1	5	CC2
9	VBUS	4	VBUS
10	SSRXn2	3	SSTXn2
11	SSRXp2	2	SSTXp2
12	GND	1	GND

CONNECTOR FRONT EDGE
RECOMMENDED P.C.B. LAYOUT (T:1.00mm)
TOLERANCE UNSPECIFIED ±0.05mm

1	THERMOPLASTIC UL94V-0	DIP HOUSING	⑧
1	THERMOPLASTIC UL94V-0	SMT HOUSING	⑦
1	THERMOPLASTIC UL94V-0	LATCH HOUSING	⑥
12	COPPER ALLOY	DIP CONECTOR	⑤
12	COPPER ALLOY	SMT CONECTOR	④
2	SUS	EMI	③
1	SUS	LATCH	②
1	SUS	SHELL	①
QTY'S	MATERIAL	NAME	NO.



MATERIAL:	TOLERANCE UNLESS SPECIFIED:		SCALE: 1:1	UNIT: mm
	.0 0 0 ± 0.10	.0 0 ± 0.20		
FINISH:	ANGLE ± 2°		DRAWING NO.: R-S13KG-03	REV.: 0.1
	DRAWN:			
DESIGNER:			NAME: USB TYPE C FEMALE R/A SMT COVER TYPE	
CHECKED:			SHEET: 2/2	
APPROVED:			REV.: 0.1	