



ENGLISH

Datasheet

Stock No. 1864629

# RS PRO 110v Industrial 360° Dome Site Light

 **4250**  
LUMENS

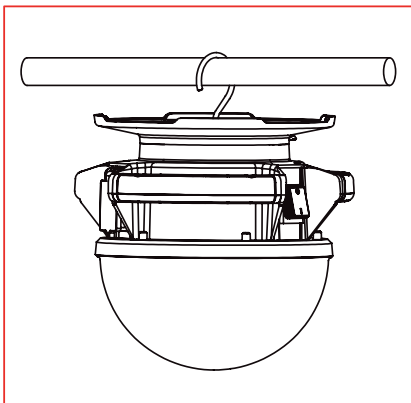
 **110v** AC  
50Hz

 Linkable  
Lights

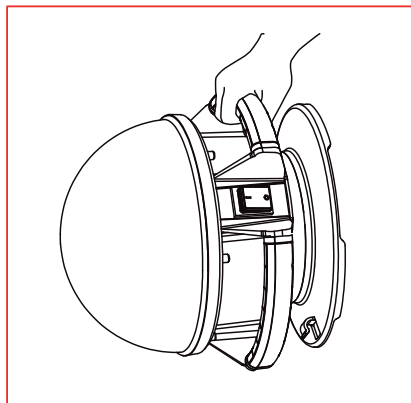
 **2** CEE Outlet  
Sockets

 **IK08**  
Impact Resistant

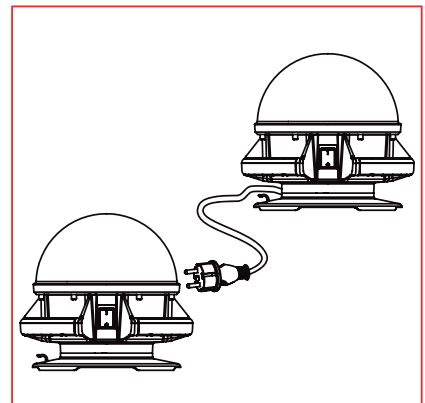
 **5m**  
H05VV-F Cable



Fold-away Hanging Hook



Convenient Carry Handles



Linkable (up to 100 lights)

### Technical Data

4250 Lumen 50W white 360° LEDs  
Milky dome lens for smooth even light spread  
LED Colour Temperature 6500k  
Super robust aluminium, polycarbonate and nylon construction  
IK08 shock resistant  
Runs off 110v 16 Amp power supply  
2 x CEE IP44 outlet sockets for linking lights or running power tools  
Up to 100 lights can be linked together  
Useful carry handles for easy transportation  
Professional high-quality On/Off switch  
IP44 dust & water resistant  
Super tough 5m H05VV-F 3G1.5mm<sup>2</sup> power cable

**Operating Temperature:** -10° to +40°

**Product Size:** 280 x 280 x 256mm

**Product Weight:** 2.45kg

### Operation

The RSPRO Dome Light requires a 110v 16 Amp power supply, obtainable from a 110v generator or from the mains supply via a suitable transformer. Under outdoor conditions, the plug should be connected to an IP44 power supply socket. The light must be connected to a grounded power socket. Warning: NEVER connect a 110V unit directly to a 230V mains electricity supply. Once connected turn on the lamp by using the built in switch, each lamp can be individually controlled.

The Dome Light is equipped with 2 x 110v AC socket outlets (CEE & IP44) to allow the light to be linked together or for the running of power tools. You can link up to 100 lights. Warning: The total output electricity socket must be less than 1500W. To connect a series of lamps, position all the lights first, then connect each together starting with the one farthest from the power supply.

The Dome Light has a hook on the base to allow suspension from ceiling or wall, or simply placed on the floor.

When finished, coil cable around the base for storage.

### ADVICE & IMPORTANT INFORMATION!

- Keep cables out of harm's way, and clear of the work area to avoid trip hazards.
- Ensure the power socket is switched OFF before plugging into the power supply.
- When unplugging always pull the plug, not the cable.
- The Dome Light is IP44 rated and is suitable for outdoor use.
- Ensure the dome light is stable and it has a firm footing or suspended from a suitable location.
- Do NOT pull or lift the product by the cable.
- Always make sure the light system is disconnected from any power sources and turned off when performing any routine cleaning or maintenance.
- Clean with a dry or slightly moist, clean, lint-free cloth and a mild detergent if required. Do not use cleaners that contain abrasives or solvents.
- Do not try to repair the work light or cable yourself. This must be done by a qualified person.
- Do not look directly at the LED.
- Do not operate in direct sunlight or extreme temperature conditions (below -10°C or above 40°C).
- The LED will become hot when switched on; do not touch and do not place face down on any surface – risk of fire!
- Do not use the device if there is any visible damage to the housing, lens, plug or cable.
- Do not use the lamp in the immediate vicinity of flammable materials or gases.
- Children under 12 years of age should only use the product under adult supervision.
- Do not open, disassemble or attempt to modify the product; this will void the warranty and can be dangerous.
- Improper use or modification is not covered under the warranty.
- Protect the dome lens from coming into contact with hard/sharp objects; damage to the lens may affect light output.
- Do not dispose of this device in normal household waste. It must be disposed of via an authorised disposal centre or at your local waste disposal unit.
- Please recycle packaging where possible.
- Keep these instructions for future reference or for subsequent possessors.

