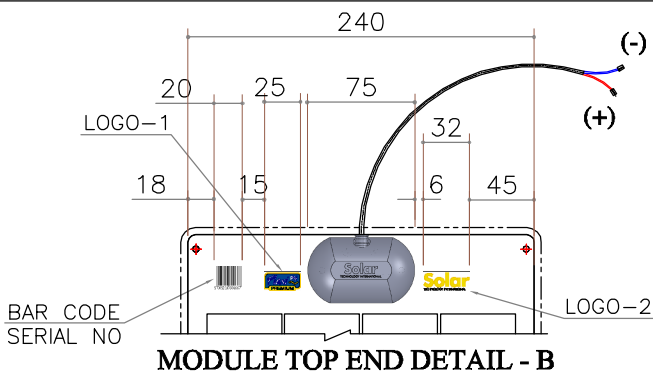
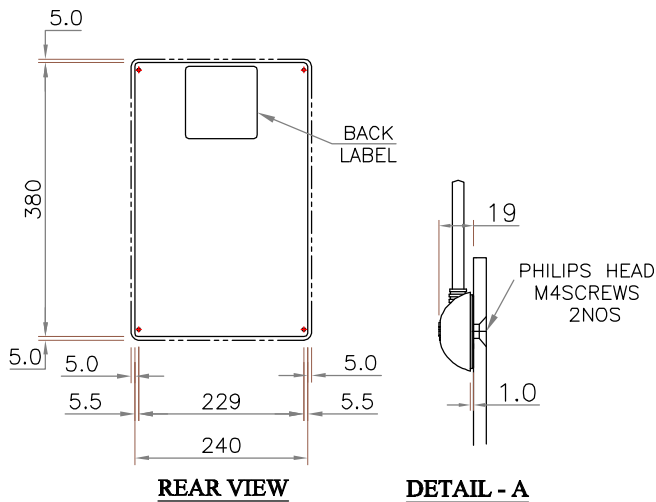
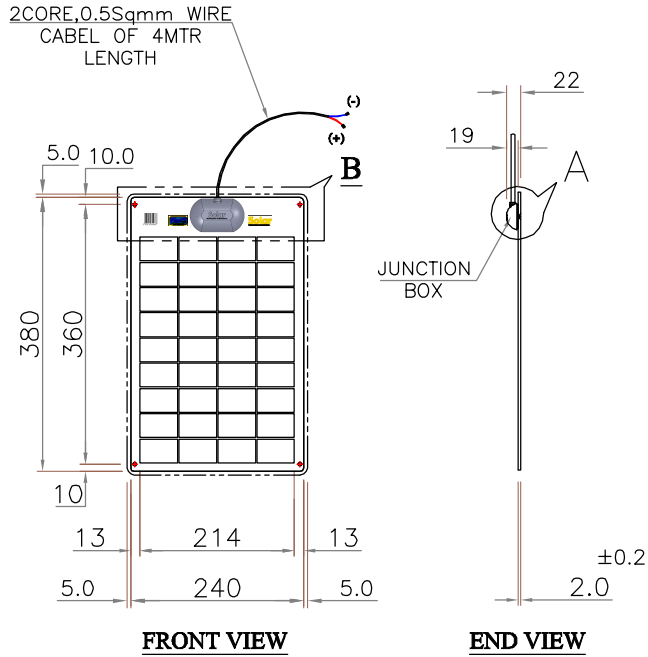


Datasheet

SOLAR LAMINATE 9046159

Part No 9046159+ 250 x 390 x 22.0mm



NOTE :

2 Years Panel warranty.

LIMITED PEAK POWER WARRANTY

- (i) 90% of minimum peak power at STC in 2 Years.
- (ii) 85% of minimum peak power at STC in 5Years.

MODEL NAME : 9046159 / 10W - 12V Flexi

ELECTRICAL PARAMETERS

MAXIMUM POWER RATING	Pmax	[Wp]	10 W
Current at max power	I max	[A]	0.56
Voltage at max power	V max	[V]	18.0
Short circuit current	Isc	[A]	0.61
Open circuit voltage	Voc	[V]	21.6
Tolerance on power output			+/- 6.0 %
Module Efficiency			10.96 %
Maximum system voltage			750V

CELL SPECIFICATION

CELL SPECIFICATION	MULTI Crystalline Si cells
Cell Efficiency	16.02 %
Number of cells	36 Nos

JUNCTION BOX

JUNCTION BOX	UPV J.BOX
Number of Diodes [Blocking diode]	1 NO

MODULE WEIGHT

MODULE WEIGHT	0.56 Kg ~
---------------	-----------

THERMAL PARAMETERS

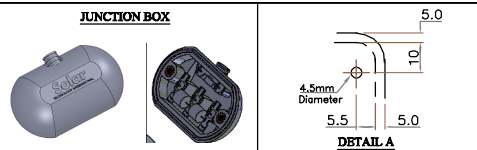
NOCT	[°C]	45 ± 2
Temp . Coefficient - Short circuit Current [A]		1.2mA /°C
Temp . Coefficient - Open circuit Voltage [V]		-2.22 mV/°C / Cell

1. Wp (Watt peak) = Peak Power Air Mass AM = 1.5 Irradiance E = 1000W/m² Cell Temperature Tc = 25°C

2. Normal operating Cell Temperature at : Irradiance E = 800W/m² Cell temperature Tu 20°C Wind speed Vw = 1 m/s

3. Diagonal lifting of module plane Per IEC 61215 Test requirements

4. Temperature Range = - 40° C to + 80°C



SOLAR MODULE LAYUP VIEW

