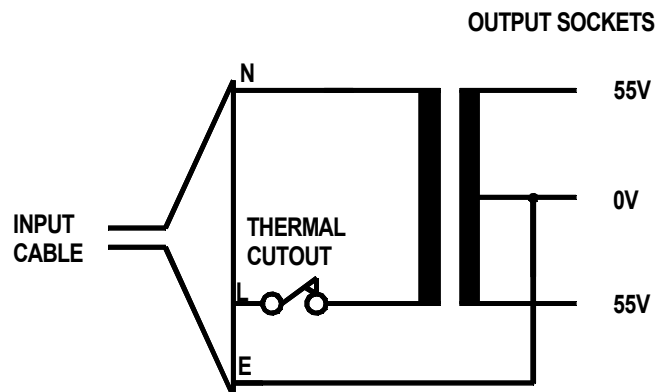
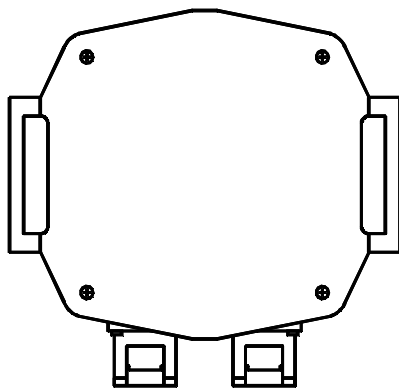
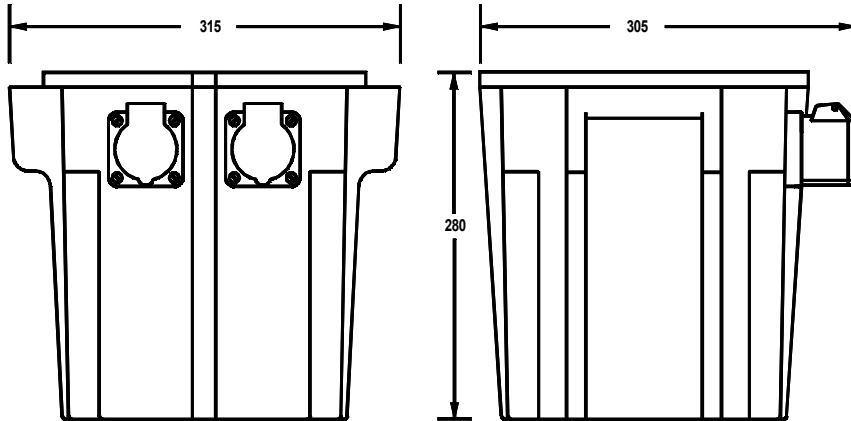




RS Pro Datasheet

Stock No: 1226708



PORTABLE TOOL TRANSFORMER

WIRING ARRANGEMENT

INPUT	230V 50/60Hz
OUTPUT	110V CTE
RATING	5kVA INTERMITTENT 5 MINS ON 15 MINS OFF
THERMAL CUTOUT	18AMP
OUTPUT SOCKETS	2x16A BSEN60309 - IP44
INPUT PLUG	NONE UNTERMINATED FOR CUSTOMER CONNECTION
ENCLOSURE	GRP - COLOUR YELLOW
WEIGHT	30 KGS