



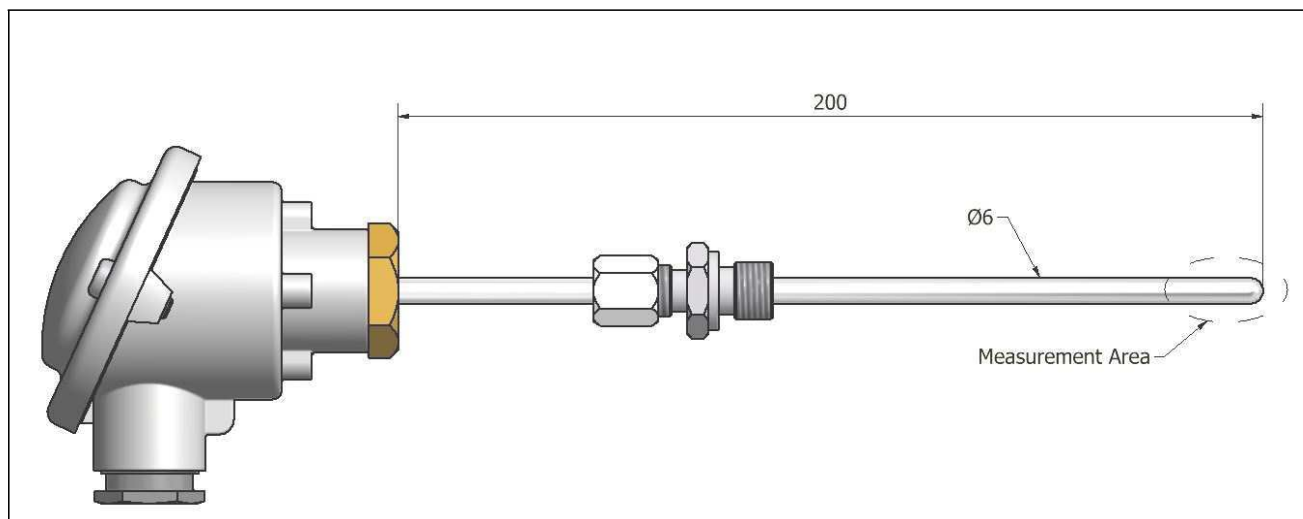
Data sheet

CSROT6

ENGLISH

RS Stock No. 896-8406

RS Stock No. 896-8406



RTD 1 x Pt100 . Ø6 x 200 head / Sliding fitting

RANGE :

-50 /250°C

USE :

Universal

KEY POINT :

RTD with adjustable process fitting

SPECIFICATIONS :

PT100Ω probe A Class – 1x3 wires
Ceramic terminal block BLS3 type
B 12 Head Aluminium
Process connection : Sliding fitting 1/4" BSPP

DIMENSIONS :

Length = 200mm
Thermic element diameter = 6mm

METROLOGICAL DATA :

As per IEC 751
Standard tolerance PT100 A class : $\pm 0.15 + 0.002 \cdot [t^{\circ}\text{C}]$