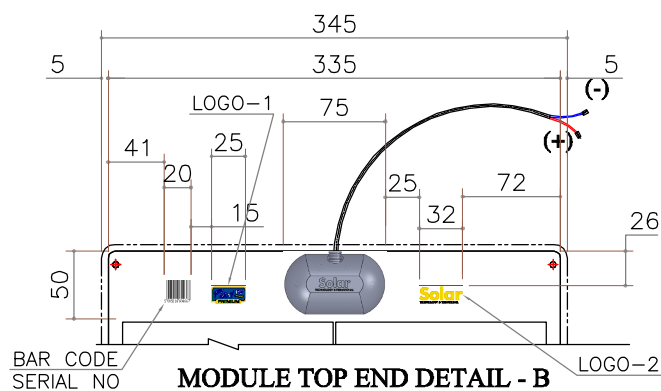
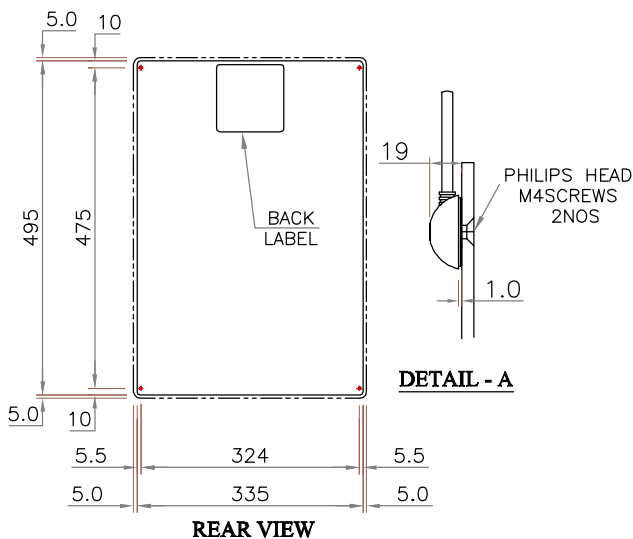
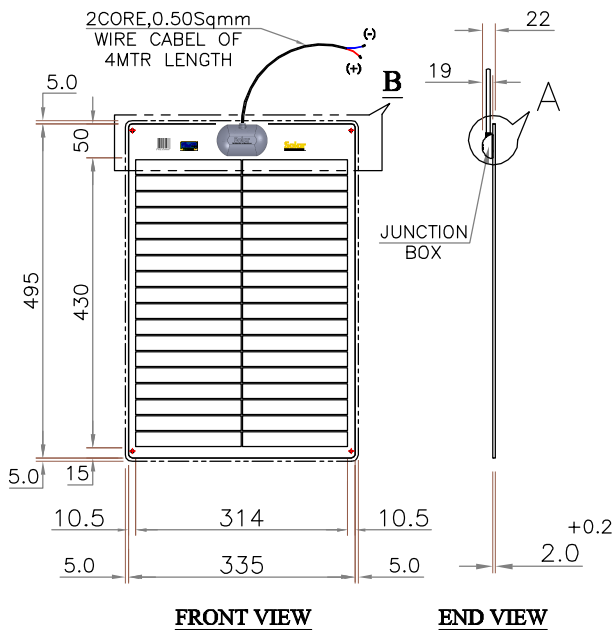


Datasheet

SOLAR LAMINATE 9046153

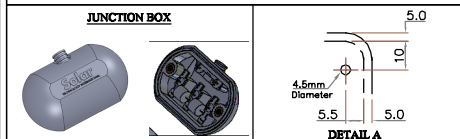
Part No 9046153 - 345 x 505 x 22.0mm



NOTE :

- 2 Years Panel warranty.
- LIMITED PEAK POWER WARRANTY
- (i) 90% of minimum peak power at STC in 2 Years.
- (ii) 85% of minimum peak power at STC in 5Years.

MODEL NAME : 9046153 / 20W - 12V Flexi			
ELECTRICAL PARAMETERS			
MAXIMUM POWER RATING	Pmax	[Wp]	20 W
Current at max power	I max	[A]	1.11
Voltage at max power	V max	[V]	18.0
Short circuit current	Isc	[A]	1.21
Open circuit voltage	Voc	[V]	21.6
Tolerance on power output			+/- 6.0 %
Module Efficiency			12.06 %
Maximum system voltage			750V
CELL SPECIFICATION			MULTI Crystalline Si cells
Cell Efficiency			16.02 %
Number of cells			36 Nos
JUNCTION BOX			UPV J.BOX
Number of Diodes [BLOCKING DIODE]			1 NO
MODULE WEIGHT			0.70 Kg ~
THERMAL PARAMETERS			
NOCT [°C]			45 ± 2
Temp . Coefficient - Short circuit Current [A]			1.2mA /°C
Temp . Coefficient - Open circuit Voltage [V]			-2.22 mV / °C / Cell
1. Wp (Watt peak) = Peak Power Air Mass AM = 1.5 Irradiance E = 1000W/m ² Cell Temperature Tc = 25°C			
2. Normal operating Cell Temperature at : Irradiance E = 800W/m ² Cell temperature Tu 20°C Wind speed Vw =1 m/s			
3. Diagonal lifting of module plane Per IEC 61215 Test requirements			
4. Temperature Range = - 40° C to + 80°C			



SOLAR MODULE LAYUP VIEW

