

## Specifications

## ABT-464-RC

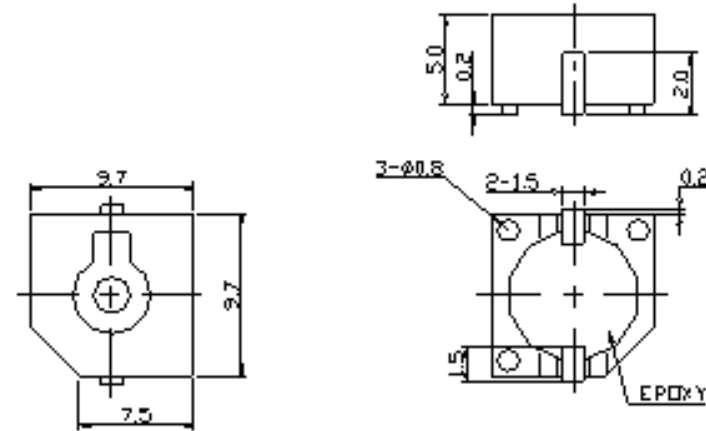
Rated voltage (Vp-p square wave)	5Vp-p
Voltage range	3-8Vp-p
Rated current (Max)	30mA
Sound output at at 10cm*	≥80dB
Resonant frequency*	2700±200Hz
Operating temperature	-30~+70°C
Storage temperature	-40~+85°C
Weight	2g

\*Value applying at rated voltage (AC)  
Requires additional electronic circuitry to operate as a sounder

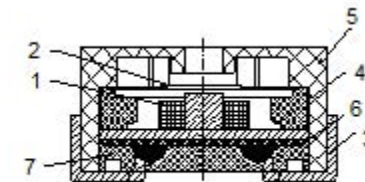
## Features

- ROHS compliant
- Wave solderable, not washable
- Lead pin material: red copper (DSn)

All data at 25°C unless otherwise specified



1. Coil part - Copper and Iron
2. Diaphragm - Iron
3. PCB - Epoxy
4. PIN x 2 - Brass
5. Core - Ferrite
6. Housing - LCP
7. Potting - Epoxy



**Dimensions** Unit: mm Tolerance: ±0.5mm



ALAN BUTCHER COMPONENTS LTD

**Alan Butcher Components Ltd**

Unit 1 Beechwood Clump Farm Industrial Estate Tin Pot Lane Blandford Dorset DT11 7TD

Telephone 01258 456360 Facsimile 01258 459194 Email sales@abcomponents.co.uk

[www.abcomponents.co.uk](http://www.abcomponents.co.uk)