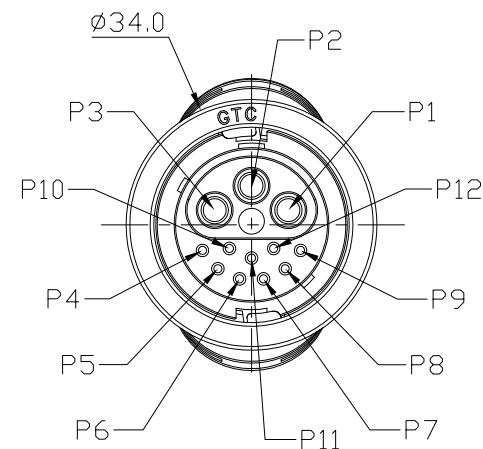
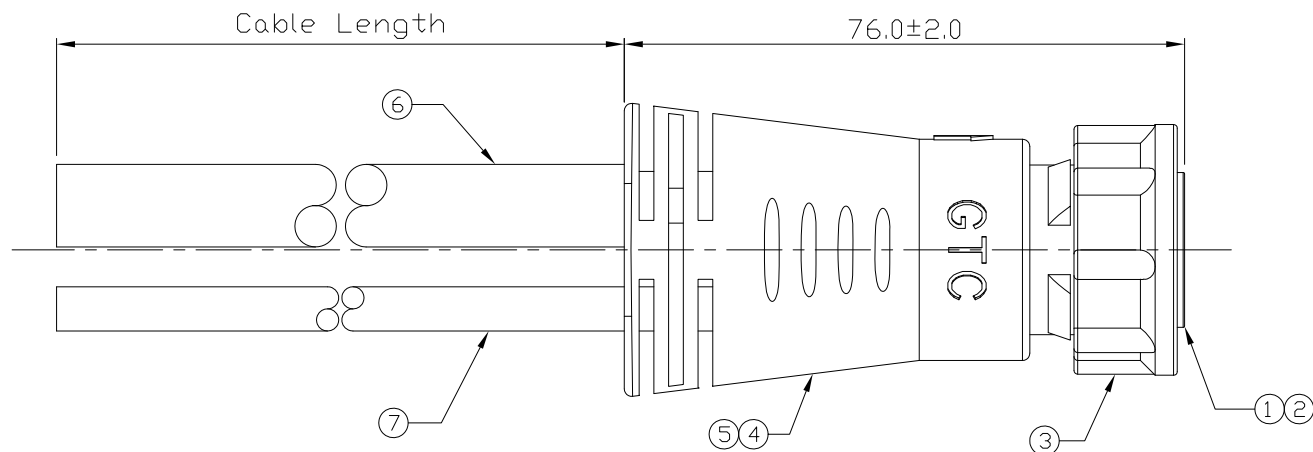


Notes: (Unless Otherwise Specified)

1. Waterproof Rate: IP67.
2. RoHS Compliant.

REV	ECN#	DESCRIPTION OF REVISION	DRAW BY DATE	CHECK BY DATE	APPROVE BY DATE
A0	ECN-121120	Mass Production	Lucas 11/22/12	Lucas 11/22/12	Ray 11/22/12



SJTW	1	Black
	2	Green
	3	White
CAT-5e	4	Brown
	5	Brown/White
	6	Blue
	7	Blue/White
	8	Orange
	9	Orange/White
	10	Green
	11	Green/White
	12	Drain

Item	Part Name	Material / Finish	Q'ty
7	FTP CAT-5e	UL2835 24AWG*4P+MEA, OD=6.0mm Color: Black	1
6	SJTW	SJTW 14AWG*3C, OD=9.3mm Color: Black	1
5	Over Mold	PVC Color: Black	1
4	Inner Mold	Thermoplastic Color: White Or Black	1
3	Twist Lock Nut	Thermoplastic Color: Black	1
2	Contacts	Copper Alloy Finish: Gold Flash	12
1	Housing	Thermoplastic Color: Black	1

Cable Length	2000 mm	±100
--------------	---------	------

Wiring Diagram

Part No.
179-7950



TITLE						Mating Part No.		REV.	
Hybrid C5 20A+5A 3P+9P Cable End Female Twist Lock						179-7949		A0	
DO NOT SCALE DRAWINGS	B	1:1	Lucas 04/05/12	Lucas 04/05/12	Ray 04/05/12	X.X ± 0.5 X.XX ± 0.2	X.XXX ± 0.05 ANGLES ± 1°	mm	1/1
THIRD ANGLE PROJECTION	SIZE	SCALE	DRAW / DATE	CHECK / DATE	APPROVE / DATE	TOLERANCES		UNIT	SHEET