

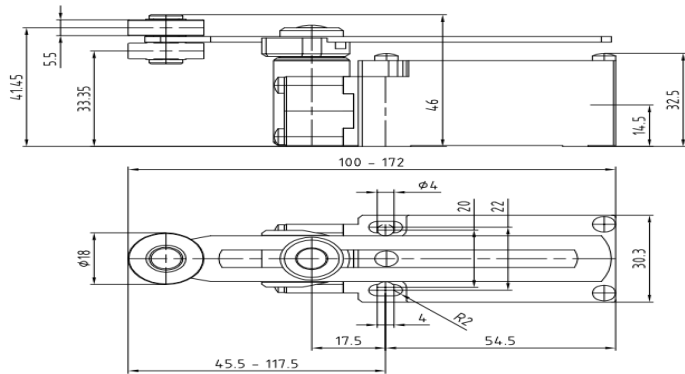
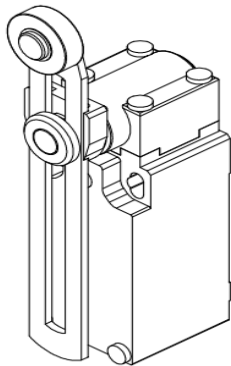


Datasheet

Limit Switch

RS Stock number 902-6896

ENGLISH



Description:

- Metal casing IP66, 30mm width
- 1 cable inlet for M20x1.5 cable gland
- Adjustable lever with Ø18mm nylon roller
- Z11: Snap action contacts (1NO+1NC)

Specification:

| Standards | | | Metal Casing |
|---|------------------|---|---|
| Certifications - Approvals | | | Devices conform with international IEC 947-5-1 and European EN 60 947-5-1 standards |
| Air temperature near the device | | | UL - CSA - IMQ |
| - during operation | °C | | - 25 ... + 70 |
| - for storage | °C | | - 30 ... + 80 |
| Protection against electrical shocks (according to IEC 536) | | | Class I |
| Degree of protection (according to IEC 529 and EN 60 529) | | | IP 66** |
| Rated insulation voltage U_i | | | 500 V (degree of pollution 3) (400 V for contacts type X12P, X21P, W03P) A 300, Q 300 |
| - according to IEC 947-1 and EN 60-947-1 | | | |
| - according to UL 508 and CSA C22-2 n° 14 | | | |
| Rated impulse withstand voltage U_{imp} | | | 6 |
| (according to IEC 947-1 and EN 60 947-1) | | | |
| Conventional free air thermal current I_{th} | | | 10 |
| (according to IEC 947-5-1 and EN 60 947-5-1) $\theta < 40$ °C | | | |
| Short-circuit protection | | | 10 |
| $U_e < 500$ V a.c. - gG (gl) type fuses | | | |
| Rated operational current | | | 10 |
| I_e / AC-15 (according to IEC 947-5-1) | 24 V - 50/60 Hz | A | 10 |
| | 120 V - 50/60 Hz | A | 6 |
| | 230 V - 50/60 Hz | A | 3.1 |
| | 240 V - 50/60 Hz | A | 3 |
| | 400 V - 50/60 Hz | A | 1.8 |
| I_e / DC-13 (according to IEC 947-5-1) | 24 V - d.c. | A | 2.8 |
| | 125 V - d.c. | A | 0.55 |
| | 250 V - d.c. | A | 0.27 |
| Switching frequency | | | 3600 |
| Load factor | | | 0.5 |
| Resistance between contacts | | | < 25 |
| Connecting terminals | | | M3.5 (+, -) pozidriv 2 screw with cable clamp (M3 for 3 poles contacts type) |
| Terminal for protective conductor | | | M3.5 (+, -) pozidriv 2 screw with cable clamp |
| Connecting capacity | | | 0.75 ... 2.5 (0.34... 1.5 for 3 poles contacts type) |
| Terminal marking | | | According to EN 50 013 |
| Mechanical durability | | | 15 } AM•F/T { 11...12; 21; 30...34; 38 |
| Millions of operations | | | 10 } AM•F/T { 41...46; 51...55; 61...75 |
| | | | >5 } AM•F/T { 14; 35; 36; 39; 91...93; 98 |

** AM•F/T52 - 5200 - 55 - 5500 - 73 - 74 - PROTECTION DEGREE IP65. - For the complete list of approved products contact our technical department.

IMQ listed values