

Datasheet

**RS Pro 3 → 24 V dc 77dB sound Through Hole
Continuous Internal Piezo Buzzer, 1700 → 2700 Hz**
RS Stock No: **617-3053**



Product Details

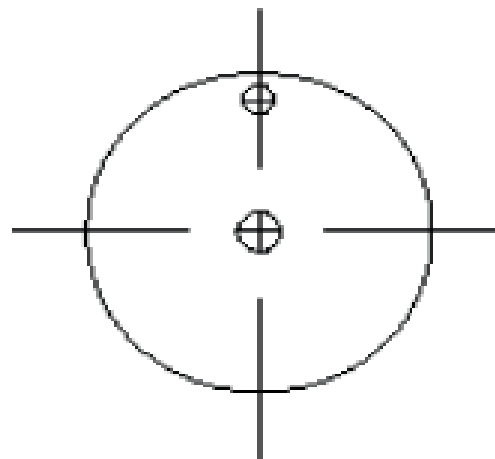
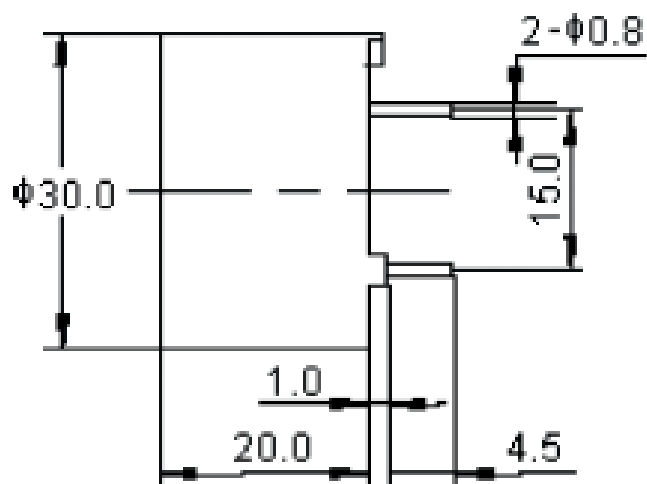
RS Pro internal piezo buzzer operates at a voltage range of 3 - 24 V dc. This continuous buzzer delivers 77 dB sound at a frequency range of 1700 - 2700 Hz. It is suitable for applications that require high sound output.

Features and Benefits

- Circular cased PCB mounting
- High sound output buzzers
- Continuous delivery

**Specifications:**

| | |
|-------------------------------|-------------------|
| Drive Type | Internal |
| Mounting Type | Through Hole |
| Tone Type | Continuous |
| Diameter | 30 mm |
| Dimensions | 30 (dia.) x 20 mm |
| Height | 20 mm |
| Maximum Frequency | 2700 Hz |
| Maximum Operating Temperature | +80°C |
| Maximum Supply Voltage | 24 V dc |
| Minimum Frequency | 1700 Hz |
| Minimum Operating Temperature | -20°C |
| Minimum Supply Voltage | 3 V dc |
| Sound Level | 77 dB |
| Supply Current | 13 mA |



Tolerance: ± 0.5

Dimensions : Millimetres