



Datasheet

RS PRO

Stock numbers:

1774499

1774504

1774505

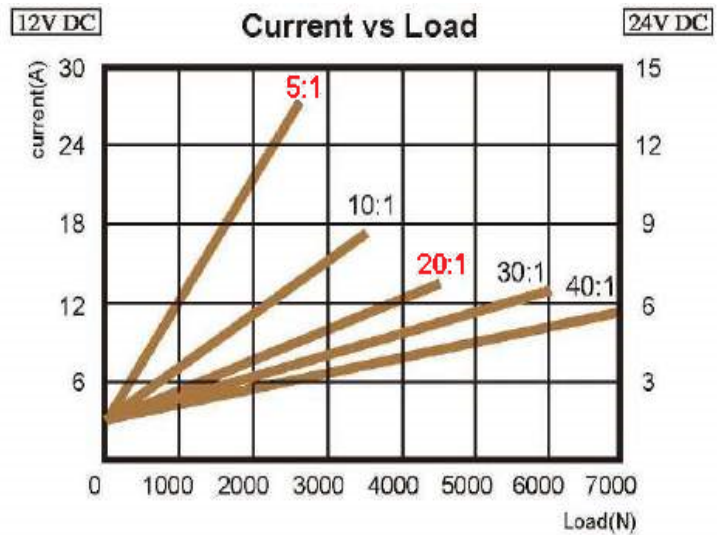
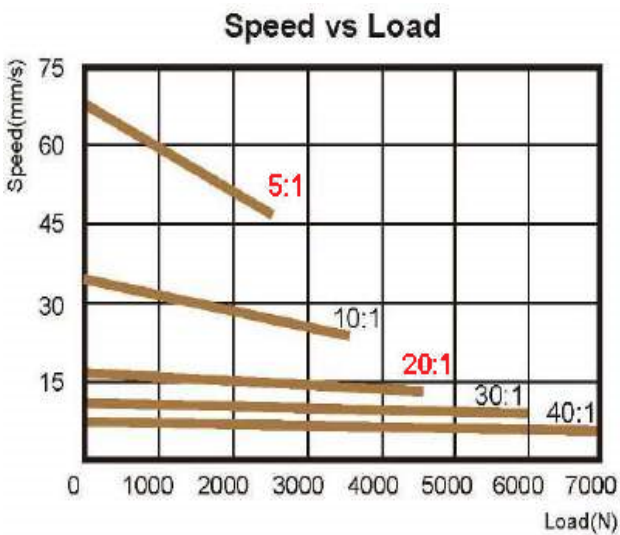
1774509

EN



- ◆ ID10 features its heavy load capability and high speed design, which is suitable for various industrial applications requiring rapid movement.
- ◆ Input voltage : 24V DC
- ◆ Max. rated load : 7,000N (Ball screw)
- ◆ Max. static load : 13,600N (Ball screw)
- ◆ Max. current : 13.2A @ 24V DC
- ◆ Max. speed : 67.1 mm/sec @ no load
- ◆ Stroke : 102~610 mm
- ◆ Duty cycle : 25%, max 2 min continuous operation in 8 min.
- ◆ IP protection level : IP54
- ◆ Colour : Black
- ◆ Certified : CE marking, EMC Directive 2014/30/EU
- ◆ Overload protection by clutch
- ◆ Power wire length : 250mm (with tinned wires)
- ◆ Operating temperature : -25°C~+65°C
- ◆ Extension tube material : Stainless steel (Ball screw)

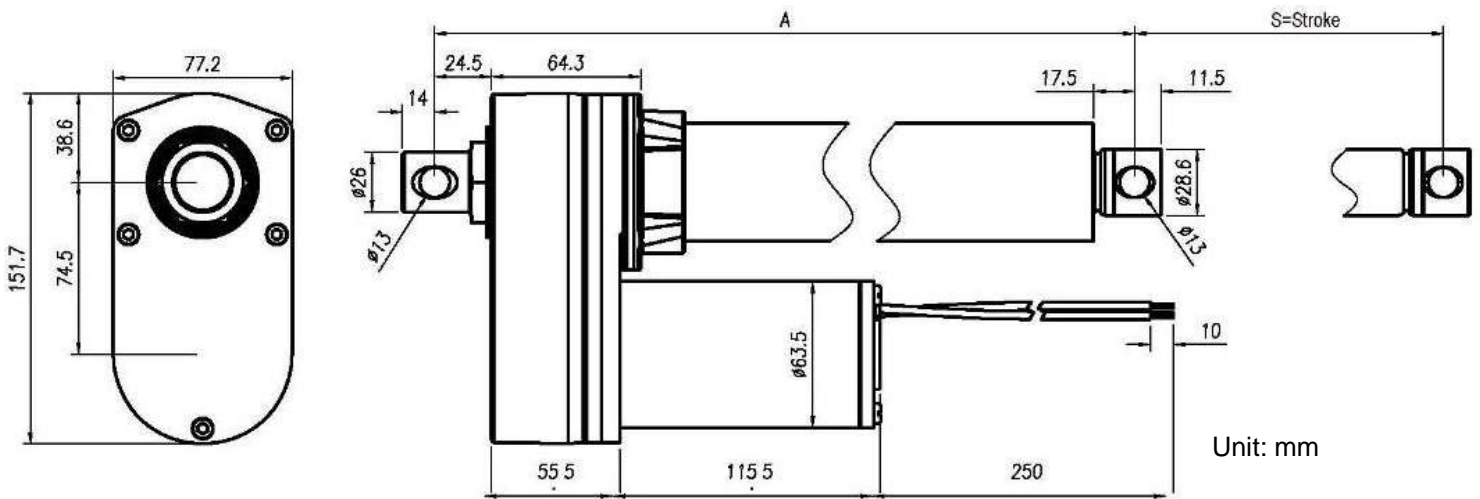
RS Number	Vendor Part Number	Push/Pull Max. (N)	Speed (mm/s)		Voltage (DC)	Stroke (mm)
			No load	Full load		
1774499	ID10-24-20-B-305	4500	16.8	14.3	24	305
1774504	ID10-24-20-B-102	4500	16.8	14.3	24	102
1774505	ID10-24-05-B-305	2500	67.1	47.2	24	305
1774509	ID10-24-05-B-102	2500	67.1	47.2	24	102



	4"	6"	8"	10"	12"	18"	24"
Stroke (± 2.5 mm)	102	153	203	254	305	457	610
Retracted Length ($A \pm 3.8$ mm)	262	313	364	414	465	668	821

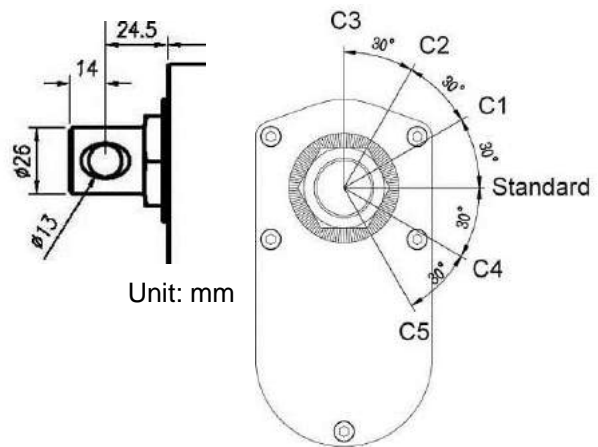
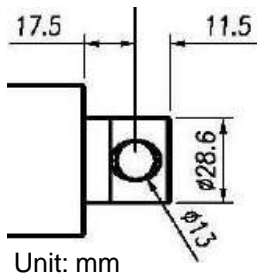


Model No.	Push/Pull Max. (N)	Speed (mm/s)		Current (A)			
		No load	Full load	No load		Full load	
				12V	24V	12V	24V
ID10-XX-05-B-XXX	2500	67.1	47.2	3.4	2.2	26.4	13.2
ID10-XX-10-B-XXX	3500	33.5	26.7	3.4	2.2	17.6	8.8
ID10-XX-20-B-XXX	4500	16.8	14.3	3.4	2.2	13.2	6.6
ID10-XX-30-B-XXX	6000	11.2	9.8	3.4	2.2	12.1	6.1
ID10-XX-40-B-XXX	7000	8.4	7.4	3.4	2.2	11.0	5.5



◆ Rear connector and the orientation of clevis

◆ Front connector



Ordering Key

