



# Datasheet

## RS PRO

### Stock numbers:

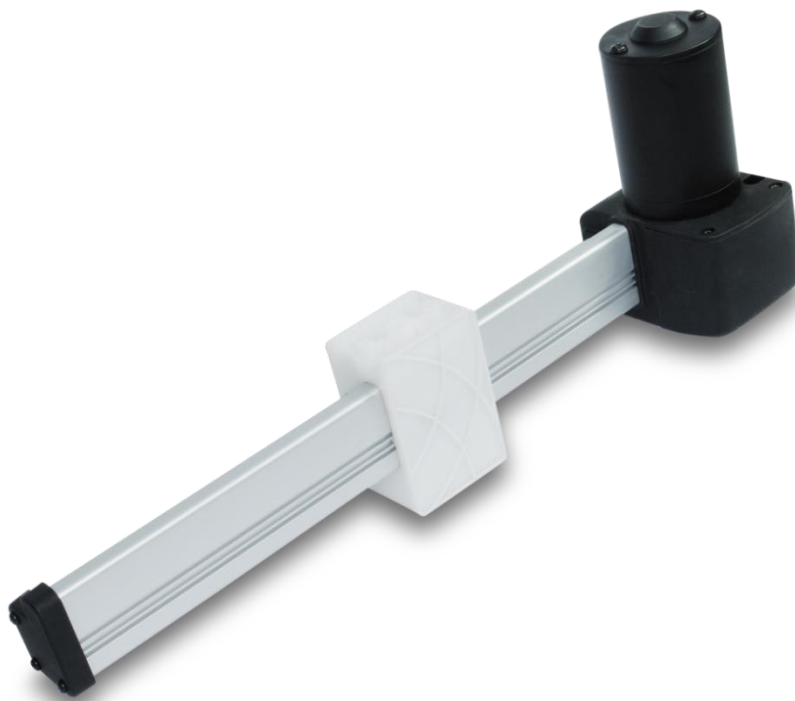
1774518

1774519

1774520

1774521

EN

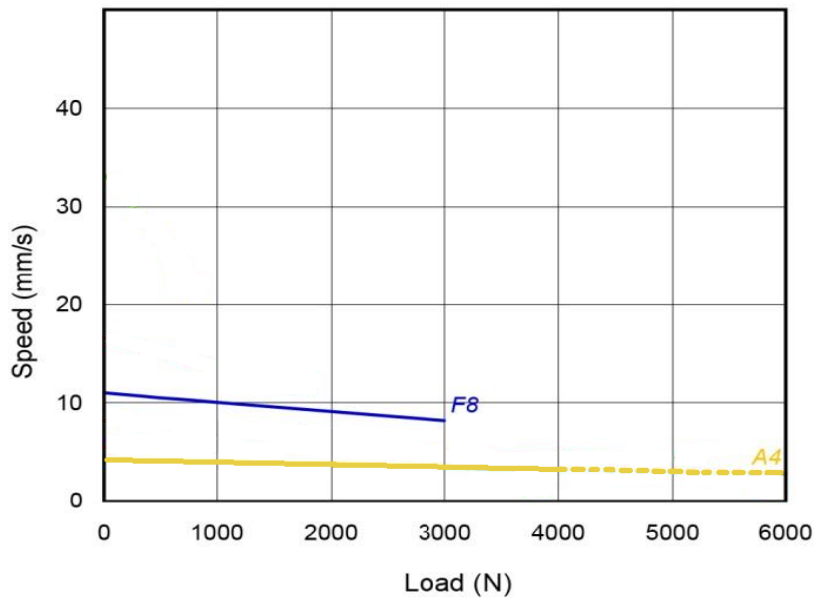


- ◆ BD61 is a quiet and powerful actuator. The actuator's carriage allows a long stroke range in confined spaces.
- ◆ Input voltage : 24V DC
- ◆ Max. load : 6000N (push) / 4000N (pull)
- ◆ Max. current : 3A @ 24V DC
- ◆ Max. speed at no load : 11.0 mm/sec
- ◆ Max. speed at full load : 2.9 mm/sec @ 6000N
- ◆ Strokes : 400~800mm
- ◆ Duty cycle : 10%, max. 2 min. continuous operation in 20 min.
- ◆ Ambient operation temperature : -20°C ~ +65°C
- ◆ Color : Black
- ◆ Certified : CE Marking, EMC Directive 2014/30/EU
- ◆ Noise Level :  $\leq$  50dB
- ◆ Adjustable limit switches

RS Number	Vendor Part Number	Push Max. (N)	Pull Max. (N)	Speed (mm/s)		Voltage (DC)	Stroke (mm)
				No load	Full load		
1774518	BD61-24-A4-127.527-C11-HS1	6000	4000	4.2	2.9	24	400
1774519	BD61-24-A8-127.927-C11-HS1	3000	2500	8.2	5.0	24	800*
1774520	BD61-24-F8-127.527-C11-HS1	3000	2500	11.0	8.2	24	400
1774521	BD61-24-F8-127.927-C11-HS1	3000	2500	11.0	13.5	24	800

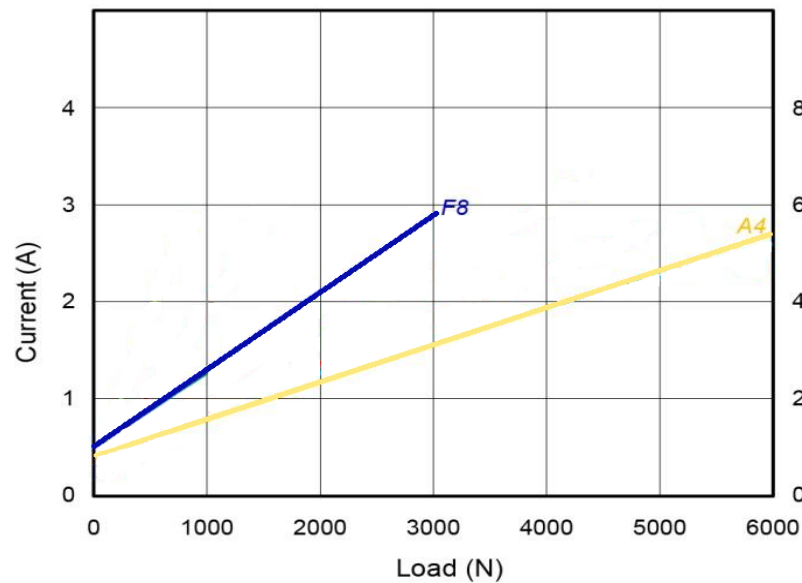
### Speed vs. Load

\*at 800mm Stroke force max.3000N



### Current vs. Load

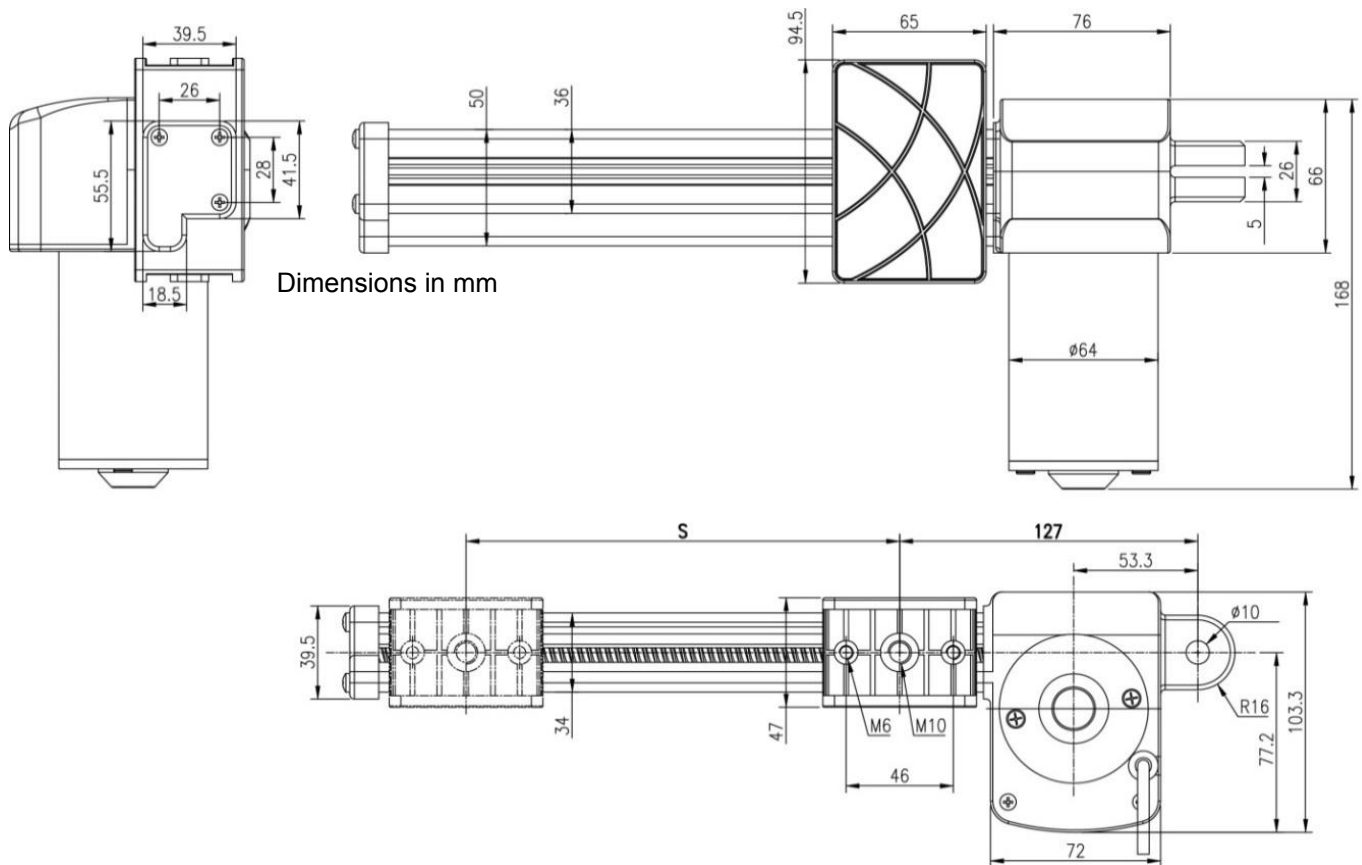
24V DC 12V DC



Push / Pull Load — Push Load - - - -



Model No.	Push Max. (N)	Pull Max. (N)	Speed (mm/s)		Current (A)			
			No load	Full load	No load		Full load	
					12V	24V	12V	24V
BD61-XX-F3- XXX.XXX	6000	4000	4.1	2.8	1.2	0.6	5.2	2.6
BD61-XX-A4- XXX.XXX	6000	4000	4.2	2.9	0.8	0.4	5.4	2.7
BD61-XX-F4- XXX.XXX	5000	3500	5.5	4.4	0.8	0.4	5.6	2.8
BD61-XX-A6- XXX.XXX	4000	3000	6.2	3.8	0.4	0.2	6.0	3.0
BD61-XX-F6- XXX.XXX	4000	3000	8.2	6.6	1.0	0.5	5.6	2.8
BD61-XX-A8- XXX.XXX	3000	2500	8.3	5.0	0.6	0.3	5.4	2.7
BD61-XX-F8- XXX.XXX	3000	2500	11.0	8.2	1.0	0.5	5.8	2.9
BD61-XX-AG- XXX.XXX	1500	1500	16.6	12.2	0.4	0.2	5.6	2.8
BD61-XX-KG- XXX.XXX	750	750	33.3	23.5	0.4	0.2	5.2	2.6



- ◆ Available stroke (S) range = 400 ~ 800 mm
- ◆ Retracted length (A) = 127mm Min.
- ◆ Extended length (B) = A + S

# Ordering Key

**BD61** —  —  —  .  — **C11**

**Input Voltage**

24 : 24V DC

**Motor and Spindle Type**

**F3, A4, F4, A6, F6, A8, F8, AG, KG**

(Refer to Performance Data)

**Retracted Length**

(Refer to paragraph Dimensions)

**Extended Length**

(Refer to paragraph Dimensions)

**Front Connector**

1 : Plastic

**Rear Connector**

1 : Plastic

PLEASE NOTE

When used with T Controller (1774523) please use the connector adapter that comes with the T Controller.