



# Datasheet

## RS PRO

### Stock numbers:

1774510

1774511

1774512

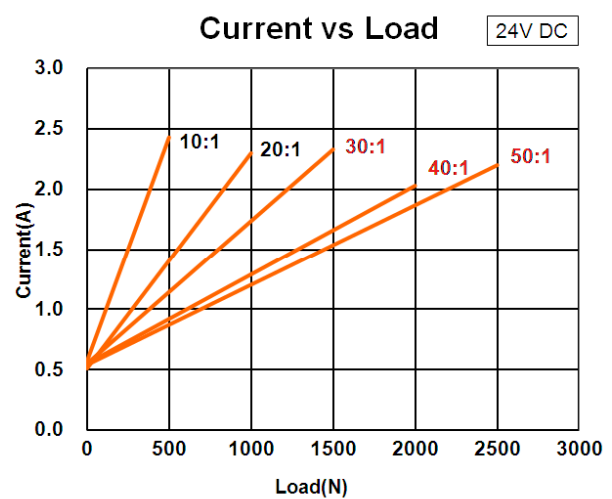
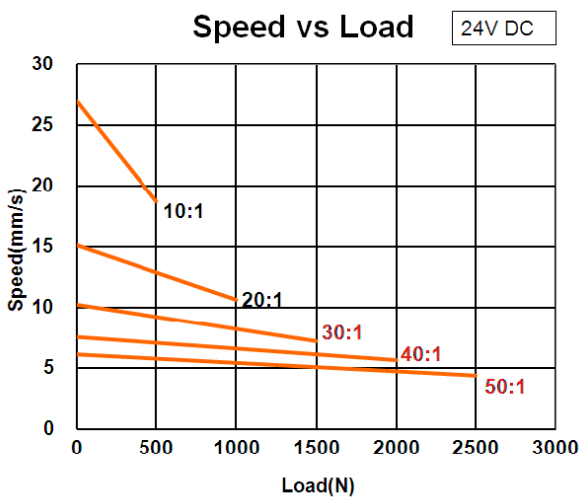
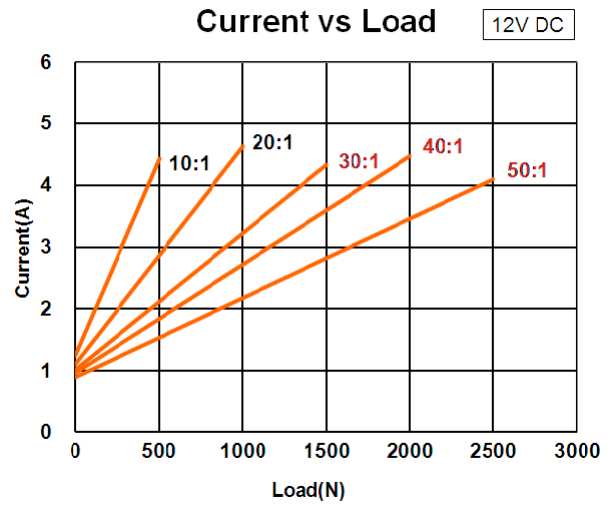
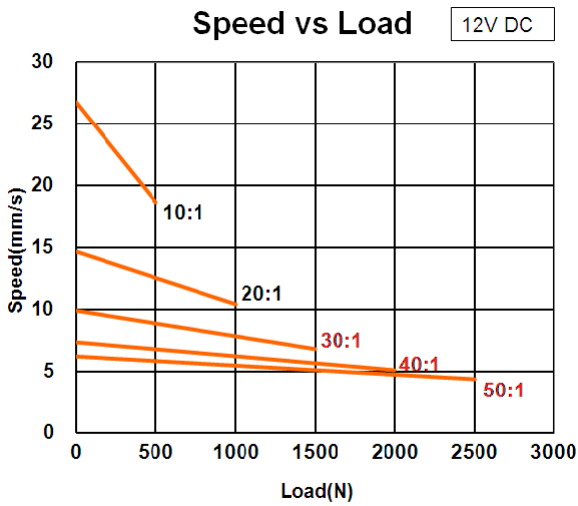
1774513

EN



- ◆ LD20 is a compact actuator with high load capability
- ◆ Input voltage : 24V DC / 12V DC
- ◆ Max. load : 2500N (push/pull)
- ◆ Max. current : 4.6 A @ 12V DC
- ◆ Max. speed at no load : 9.9 mm/sec
- ◆ Max. speed at full load : 4.4 mm/sec @ 2500N
- ◆ Stroke : 100~300 mm (Max. 300mm)
- ◆ Duty cycle : 25% or 1 min continuous operation in 4 min.
- ◆ IP protection level : IP65
- ◆ Colour : Aluminum grey
- ◆ Noise level :  $\leq 70$ dB
- ◆ Preset limit switches
- ◆ Ambient Operating temperature : -25°C~+65°C

RS Number	Vendor Part Number	Push/Pull Max. (N)	Speed (mm/s)		Voltage (DC)	Stroke (mm)
			No load	Full load		
1774510	LD20-12-50-G4-300-C11-P09	2500	6.2	4.4	12	300
1774511	LD20-12-30-G4-100-C11-P09	1500	9.9	6.8	12	100
1774512	LD20-24-40-G4-100-C11-P09	2000	7.6	5.7	24	100
1774513	LD20-24-40-G4-300-C11-P09	2000	7.6	5.7	24	300

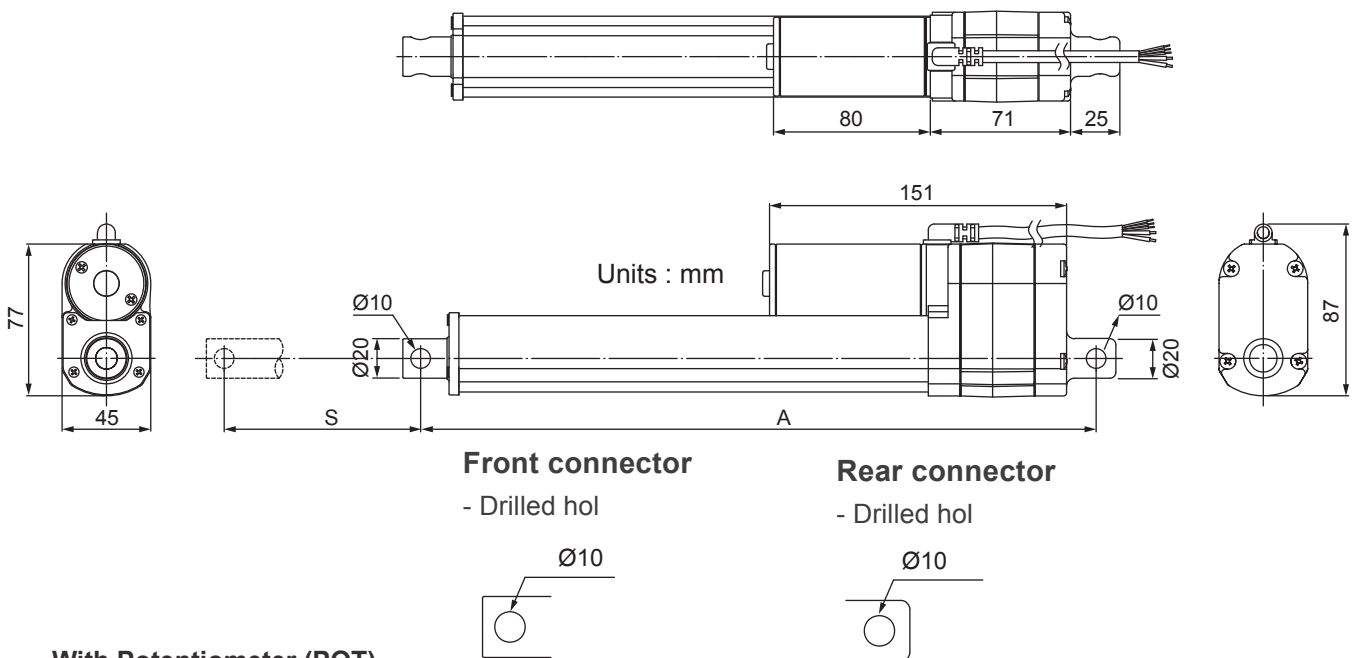


Model No.	Push/Pull Max. (N)	Speed (mm/s)				Current (A)			
		No load		Full load		No load		Full load	
		12V	24V	12V	24V	12V	24V	12V	24V
LD20-XX-10-G4-XXX	500	26.8	27.0	18.6	18.7	1.3	0.6	4.4	2.4
LD20-XX-20-G4-XXX	1000	14.7	15.1	10.4	10.7	1.1	0.5	4.6	2.3
LD20-XX-30-G4-XXX	1500	9.9	10.3	6.8	7.2	1.0	0.6	4.3	2.3
LD20-XX-40-G4-XXX	2000	7.4	7.6	5.1	5.7	1.0	0.6	4.5	2.0
LD20-XX-50-G4-XXX	2500	6.2	6.1	4.4	4.4	0.9	0.5	4.1	2.2

### With Potentiometer (POT)

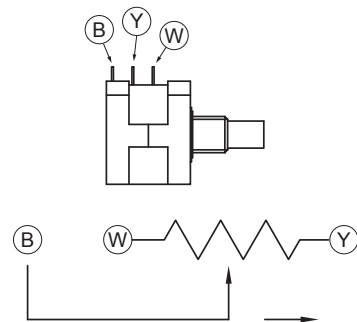
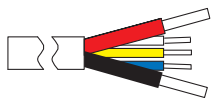
Stroke (S)	100 (4")	150 (6")	200 (8")	250 (10")	300 (12")
Retracted Length (A)	242	292	342	392	442

(tolerance: ±3mm)



### With Potentiometer (POT)

The resistance value between blue and white wires increases when actuator extends, the resistance between blue and yellow wires decreases at the mean time.



Power		Signal		
Red	Black	White	Yellow	Blue
M+	M-	GND	VCC	Data

Stroke (mm)	Resistance (tolerance: ±0.3KΩ)
100	0.3 ~ 8.8K
150	0.3 ~ 9.6K
200	0.3 ~ 8.9K
250	0.3 ~ 9.5K
300	0.3 ~ 9.5K

# Ordering Key

## LD20-XX-XX-G4-XXX-1-1-P-9

### Input Voltage

12 : 12V DC

24 : 24V DC

### Gear Ratio

10 : 10:1

20 : 20:1

30 : 30:1

40 : 40:1

50 : 50:1

### Motor and Spindle Type

**G4** : 4600rpm, pitch= 4.23mm,  
double thread

### Stroke

100 : 100mm

150 : 150mm

200 : 200mm

250 : 250mm

300 : 300mm

### Front Connector

1 : Drilled Hole, Ø10 mm

### Rear Connector

1 : Drilled Hole, Ø10 mm

### Positioning Feedback

**P** : Potentiometer

### Cable Length

9 : 900mm

