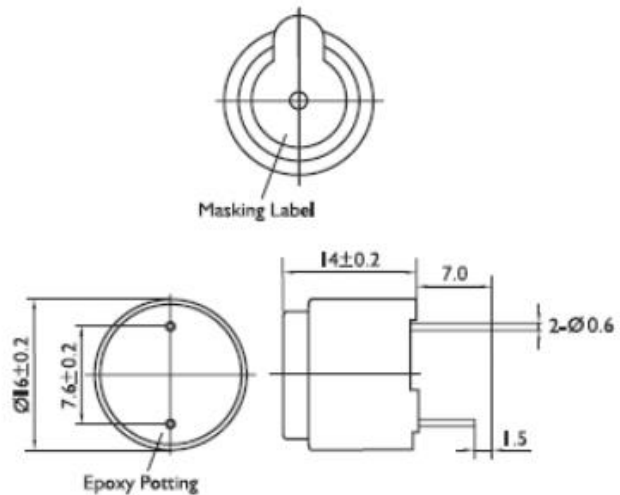


Datasheet

RS 15V dc PCB Mount Magnetic Buzzer, 85dB

Continuous

RS Stock 780-0706



Dimensions: (mm)

Features:

- Colour: Black
- Housing Material: Noryl
- Sealed base
- Wave solderable & washable

All data at 25°C unless otherwise specified.

SPECIFICATIONS	Piezo Indicator
Rated Voltage	12VDC
Operating Voltage	8~15VDC
Rated Current at rated voltage	≤30mA
Sound Output at 30cm, at rated voltage	≥85dB
Resonant Frequency, at rated voltage	2300 ± 300Hz
Operating Temperature	-20 ~ +70°C
Storage Temperature	-30 ~ +80°C
Weight	7g
Tone	Continuous
Drive Type	Internal