

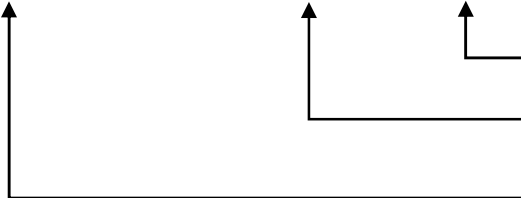
SPECIFICATIONS

[General Specifications]

| | | | | |
|-------------------------------|--|-------------------|-------------------|-------------------|
| Product Name | LED Light Bar | | | |
| Model | CLA1S-24A-CD(-30) | CLA2S-24A-CD(-30) | CLA3S-24A-CD(-30) | |
| Rated Voltage | 24V DC (Polarized) | | | |
| Operating Voltage Range | 24V DC $\pm 10\%$ | | | |
| Rated Current Consumption | standard | 104 mA $\pm 10\%$ | 208 mA $\pm 10\%$ | 240 mA $\pm 10\%$ |
| Rated Power Consumption | standard | 2.5 W | 5.0 W | 5.7 W |
| Operating Ambient Temperature | -40°C to +60°C | | | |
| Operating Ambient Humidity | Less than 90% (No condensation) | | | |
| Mounting Location | Indoors | | | |
| Mounting Direction | All Directions | | | |
| Protection Rating | IP66/67 (IEC 60529) /69K (DIN 40050 part9) (Except Cable Terminal) | | | |
| Vibration Resistance | 19.6 m/s ² (30Hz, Back and Forth:2h, Right to Left:2h, Up and Down:2h) | | | |
| Insulation Resistance | More than 5M Ω at 500VDC between the terminals and the chassis | | | |
| Withstanding Voltage | 500VAC applied for 1min between terminals and chassis without breaking insulation | | | |
| Luminous Color | Daylight (CD) | | | |
| Color Temperature (typ.) | 6800 K | | | |
| Illuminance (at 24VDC) | 0.5m | 140 lx | 270 lx | 400 lx |
| | 1.0m | 35 lx | 70 lx | 105 lx |
| Luminous Flux | | 125 lm | 240 lm | 360 lm |
| Mass(Tolerance $\pm 10\%$) | | 80 g(165g) | 130 g(215g) | 180 g(265g) |
| Outer Dimensions | Refer to the Outer Dimension Drawing | | | |
| Conformity Standards | UL 2108, CSA-C22.2 No. 250.0 EMC Directive (EN 55011, EN 61000-6-2) RoHS Directive (EN 50581) | | | |
| Remarks | <ul style="list-style-type: none"> · Conforms to the CE requirements · UL Listed (File No.E306141) · Specifications may change without notice due to continual product improvement. · Due to the inherent properties of the LED, color variations and hue may occur. · This product's illuminance may be affected when used in airtight conditions. | | | |

*Model Number Configuration

CLA□S - 24A - CD - □□



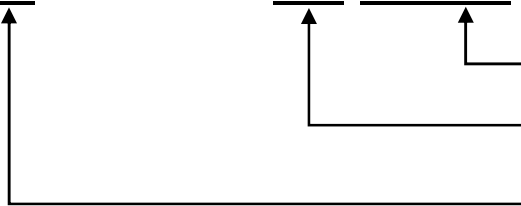
- Cable Length
Blank: 500mm, -30: 3000mm
- Luminous Color
CD: Daylight
- Light Unit Length
1: 100mm, 2: 200mm, 3: 300mm

| | | |
|---------------|------|-------|
| Drawing No. | Rev. | Page |
| CLA3S-24A-W18 | A | 2 / 3 |

| | | | |
|-------------------------------|--|-------------------|-------------------|
| Model | CLA6S-24A-CD(-30) | CLA9S-24A-CD(-30) | |
| Rated Voltage | 24V DC (Polarized) | | |
| Operating Voltage Range | 24V DC $\pm 10\%$ | | |
| Rated Current Consumption | standard | 480 mA $\pm 10\%$ | 720 mA $\pm 10\%$ |
| Rated Power Consumption | standard | 11.6 W | 17.3 W |
| Operating Ambient Temperature | -40°C to +60°C | | |
| Operating Ambient Humidity | Less than 90% (No condensation) | | |
| Mounting Location | Indoors | | |
| Mounting Direction | All Directions | | |
| Protection Rating | IP66/67 (IEC 60529) /69K (DIN 40050 part9) (Except Cable Terminal) | | |
| Vibration Resistance | 19.6 m/s ² (30Hz, Back and Forth:2h, Right to Left:2h, Up and Down:2h) | | |
| Insulation Resistance | More than 5M Ω at 500VDC between the terminals and the chassis | | |
| Withstanding Voltage | 500VAC applied for 1min between terminals and chassis without breaking insulation | | |
| Luminous Color | Daylight (CD) | | |
| Color Temperature (typ.) | 6800 K | | |
| Illuminance (at 24VDC) | 0.3m | 1,425 lx | 1,575 lx |
| | 0.5m | 650 lx | 810 lx |
| | 1.0m | 200 lx | 280 lx |
| Luminous Flux | 690 lm | 980 lm | |
| Mass(Tolerance $\pm 10\%$) | 340 g(425g) | 500 g(585g) | |
| Outer Dimensions | Refer to the Outer Dimension Drawing | | |
| Conformity Standards | UL 2108, CSA-C22.2 No. 250.0 EMC Directive (EN 55011, EN 61000-6-2) RoHS Directive (EN 50581) | | |
| Remarks | <ul style="list-style-type: none"> · Conforms to the CE requirements · UL Listed (File No.E306141) · Specifications may change without notice due to continual product improvement. · Due to the inherent properties of the LED, color variations and hue may occur. · This product's illuminance may be affected when used in airtight conditions. | | |

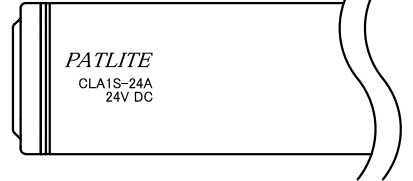
*Model Number Configuration

CLA□S - 24A - CD - □□



- Cable Length
Blank : 500mm、-30 : 3000mm
- Luminous Color
CD : Daylight
- Light Unit Length
6 : 600mm、9 : 900mm

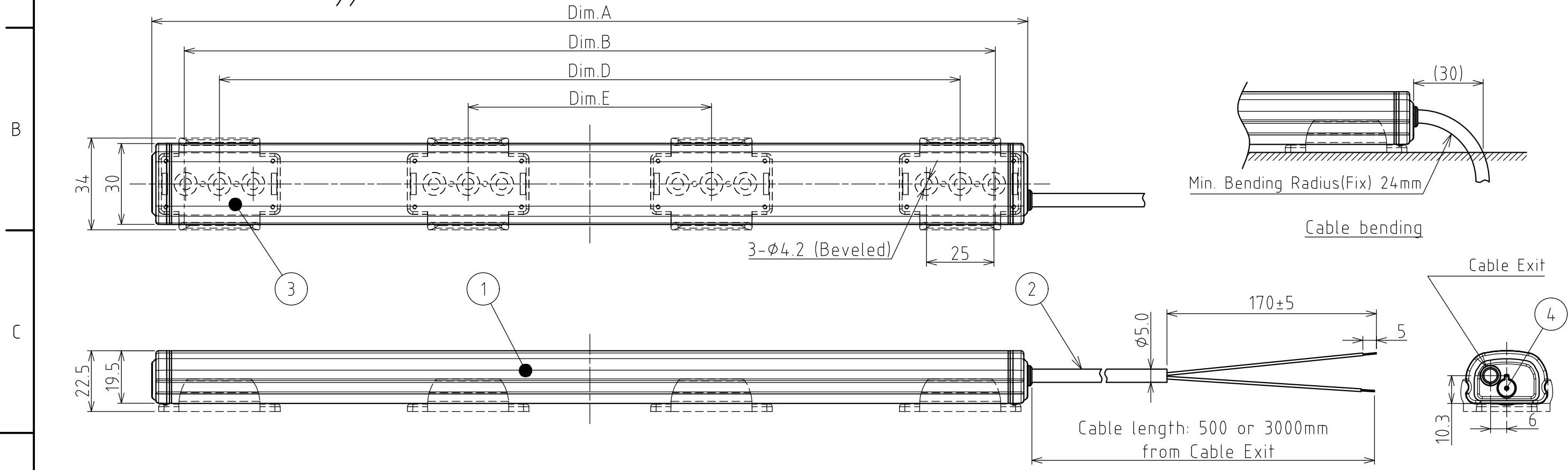
EX. CLA1S-24A



| | | | | | | | | | | | |
|---------------------------|------------------------------|---|------|------------|-----|-----|-----|------|-----|-----|---|
| 指定公差 General Tolerance | 角度公差 ±[°] | | | 寸法公差 ±[mm] | | | | | | | |
| | 短辺長さ Length of short side | ~ | ~100 | 6 | 30 | 120 | 300 | 1000 | | | |
| | 精 f | 1 | 0.5 | 0.3 | 0.1 | 中 m | 0.1 | 0.3 | 0.5 | 0.7 | 1 |
| | 粗 v | 3 | 1.5 | 1 | 0.5 | 粗 c | 0.3 | 0.5 | 1 | 1.2 | 2 |

図番 Drawing No. **CLA3S-24A-W18**

改訂 Rev. 年月日 Date 改訂履歴 Revisions



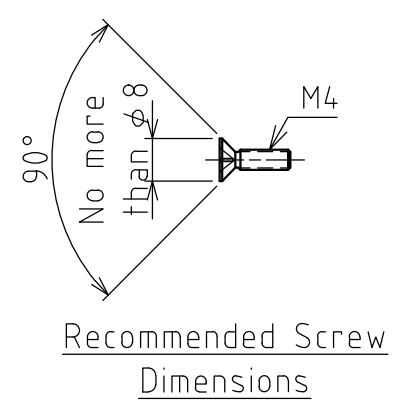
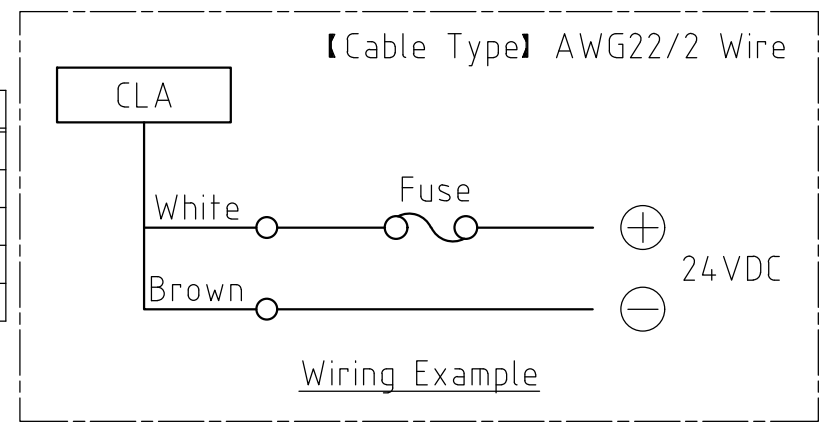
[Chart1 Dimensions]

| Model | Dim.A | Dim.B | Dim.D | Dim.E | Accessory Brackets (SZ-310AR) |
|-------------------|---------|----------|-------------------|-------|-------------------------------|
| | Maximum | Lighting | Attachement Pitch | | |
| CLA1S-24A-CD(-30) | 124 | 100 | 74 | - | 2pcs. |
| CLA2S-24A-CD(-30) | 224 | 200 | 174 | - | 2pcs. |
| CLA3S-24A-CD(-30) | 324 | 300 | 274 | - | 2pcs. |
| CLA6S-24A-CD(-30) | 624 | 600 | 574 | - | 2pcs. |
| CLA9S-24A-CD(-30) | 924 | 900 | 874 | 290 | 4pcs. |

[Chart2 Corresponding Bracket]

| Model | SZ-310AS | SZ-310ASB | SZ-310ARM |
|-------------------|----------|-----------|-----------|
| CLA1S-24A-CD(-30) | ○ | × | ○ |
| CLA2S-24A-CD(-30) | ○ | × | ○ |
| CLA3S-24A-CD(-30) | ○ | ○ | ○ |
| CLA6S-24A-CD(-30) | ○ | × | ○ |
| CLA9S-24A-CD(-30) | ○*1 | × | ○ |

*1: For CLA9S only, please add SZ-310AR bracket. (2pcs/Dim.E)



Remarks

- The screw caps are removable. Please remove them in advance when using high-pressure water applications. (Example: Contamination in a food-processing line)
- Install the bracket on a sturdy surface with M4 flush-mount screws, and tighten down with a torque of no more than 1N·m. (2 screws recommended.)

| | | | |
|--------|---------------|---------|---------------------|
| 4 | Screw Cap | 2 | Silicon |
| 3 | Bracket | Chart1 | Polycarbonate Resin |
| 2 | Power Cable | 1 | AWG22/2 Wires |
| 1 | Cover | 1 | Polycarbonate Resin |
| 番号 No. | 部品名 Part Name | 数量 Qty. | 記事 Remarks |

| | | | | | |
|----------------|--------------|----------------|---|------------------|--------------------------|
| 機種 Model | CLA□S-24A-CD | 特注 No. S.P.No. | - | 図名 Name | Outer Dimensions Drawing |
| 品目コード Part No. | - | 尺度 Scale | - | 三角法 3rd Angle P. | 単位 Unit mm |

株式会社 **パトライト**
PATLITE Corporation