



ENGLISH

Datasheet

Stock No.s: 8285690, 8285694, 8285701, 8285704, 8285707, 8285710, 8285713, 8285717, 8285723, 8285726, 8285729, 8285732, 8285735, 8285739, 8285748

IPSL Series - Low Range Industrial Pressure Sensor



- **Piezo-resistive sensor**
- **Stainless steel body & diaphragm**
- **Accuracy $\leq \pm 0.25\%$ FS BFSL**
- **Various outputs including Volts and mA.**
- **Pressure ranges from 50 mbar to 1000 mbar**
- **Gauge or Absolute pressure reference**

Options available on the IPSL pressure transmitter.

Pressure range
 Pressure reference (G or Abs)
 Output type

The IPSL is suitable for use in a wide range of applications. The probe uses a piezo-resistive silicon sensor, giving excellent media compatibility within an oil filled 316L stainless steel housing

The electronics incorporate a microprocessor based amplifier, requiring no adjusting and giving stable electronics, especially in high vibration/shock applications.

Each device is temperature compensated, calibrated and supplied with a traceable serial number and calibration data*.

There is a choice of internal O ring seals to ensure that the device is compatible with a wide range of media.

Custom versions can be made for particular applications.

Suitable applications

HVAC	Mechanical engineering
Pneumatics	Environmental engineering
Rainwater harvesting	Automotive testing
Agricultural machinery	Tank gauging
Laboratory testing	IBC, IBC Tote or pallet tank

Performance

Accuracy (Non-Linearity & Hysteresis) $\leq \pm 0.25\%$ / FS (BFSL) for gauge, $\leq \pm 0.5\%$ for Absolute

Setting Errors (offsets)	2-wire	Zero & Full Scale, $\leq \pm 0.5\%$ / FS
	3-wire	Zero & Full Scale, $\leq \pm 0.5\%$ / FS
Permissible Load	2-wire	$R_{max} = [(Supply-9min)/0.02]\Omega$
	3-wire	$R_{min} = 10k\Omega$
Influence Effects	Supply	$< 0.005\%$ FS / 1V
	Load	0.05% FSO / $k\Omega$

Material Specifications

Housing	303 Stainless Steel
"O" ring seals	Viton
Diaphragm	316L Stainless Steel
Media wetted parts diaphragm	Housing & connection, "O" ring seal,

Miscellaneous

Current consumption	2 -wire Limits at 28mA 3-wire Typical 6mA
Weight	Approx 100g
Installation position	Any, small zero shift when tilted through 90°
Operational Life	$> 100 \times 10^6$ cycles
Insulation resistance	$> 50M\Omega$ at 50Vdc

Electrical Protection

Supply reverse polarity	No damage/no function
Electromagnetic compatibility	CE Compliant

Mechanical Stability

Shock	100g / 11s
Vibration	10g RMS (20 - 2000Hz)

Temperatures & Thermal Effects

Media Temperature	-40°C to +125°C
Ambient Temperature	-20°C to +80°C
Storage temperature	-40°C to +125°C
Compensated temperature range	+20°C to +80°C
Thermal Zero Shift (TZS)	$\leq \pm 0.04\%$ /FS/°C
Thermal Span Shift	$< -0.015\%$ /°C



Made in the UK

*Calibration data is supplied as a sticker affixed to the product packaging - do not discard

IPSL RS Pro 2017

Specifications are subject to change without prior notice.



IPSL Series - Low Range Industrial Pressure Sensor

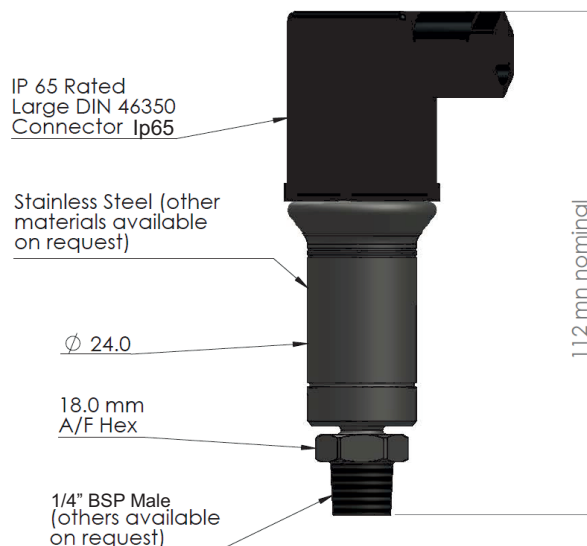
Pressure Ranges and Passive mV/V Outputs

Nominal Pressure, Gauge, mbar	50	100	250	500	750	1000
Nominal Pressure, Absolute mbar				500	750	1000
Permissible Overpressure mbar	2 bar	2 bar	2 bar	5 bar	5 bar	5 bar

Output Signals and Supply Voltages **DIN 43650**

Wire system	Output	Supply Volts	Connection	Pin No.
2-wire	4-20mA	9-32Vdc	+ve Supply -ve Supply Ground	Pin 1 Pin 2 Earth pin
3-wire	0.5 - 4.5Vdc (non-ratiometric)	9-32 Vdc	+ve Supply -ve Supply +ve Output Ground	Pin 1 Pin 2 Pin 3 Earth Pin

RS Stock No.	Pressure Range	Output
8285707	0 - 50mbar G	4-20mA
8285710	0 - 100mbar G	4-20mA
8285717	0 - 250mbar G	4-20mA
8285729	0 - 500mbar G	4-20mA
8285732	0 - 750mbar G	4-20mA
8285739	0 - 1000mbar G	4-20mA
8285701	0 - 50mbar G	0.5 to 4.5V 3Wire
8285713	0 - 100mbar G	0.5 to 4.5V 3Wire
8285726	0 - 250mbar G	0.5 to 4.5V 3Wire
8285723	0 - 500mbar G	0.5 to 4.5V 3Wire
8285735	0 - 750mbar G	0.5 to 4.5V 3Wire
8285748	0 - 1000mbar G	0.5 to 4.5V 3Wire
8285690	0 - 500mbar Abs	4-20mA
8285694	0 - 750mbar Abs	4-20mA
8285704	0 - 1000mbar Abs	4-20mA



Specifications are subject to change without prior notice.

