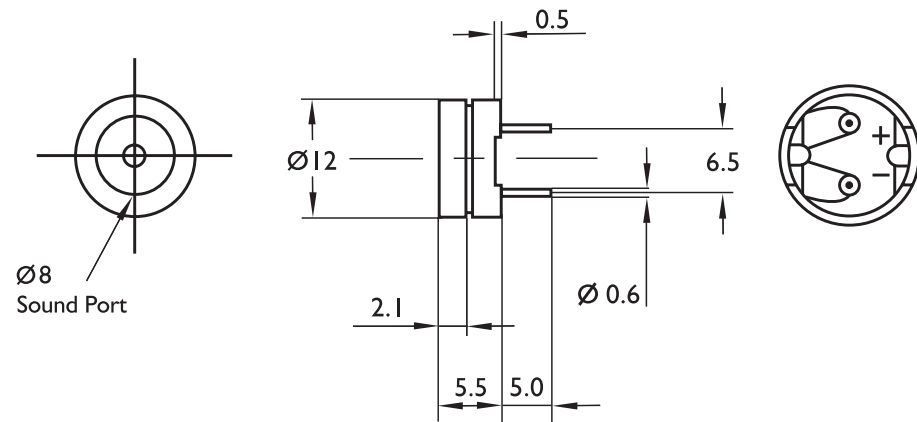


**Specifications**

**ABT-407-RC**

Rated voltage	1.5Vp-p
Operating voltage	1~3Vp-p
Rated current*	≤15mA
Sound output at 10cm*	≥70dB
Resonant frequency*	2048Hz
Coil resistance	42±6Ω
Coil impedance	120Ω
Operating temperature	-20~+70°C
Storage temperature	-30~+80°C
Weight	2g

\* Value applying at rated voltage.  
Requires additional electronic circuitry to operate as a sounder.



**Dimensions** Unit: mm Tolerance: ±0.5mm

**Features**

- ROHS compliant
- Black in colour
- Wave solder and wash NOT allowed
- Housing material: Noryl

All data at 25°C unless otherwise specified



ALAN BUTCHER COMPONENTS LTD

**Alan Butcher Components Ltd**

Unit 1 Beechwood Clump Farm Industrial Estate Tin Pot Lane Blandford Dorset DT11 7TD

Telephone 01258 456360 Facsimile 01258 459194 Email sales@abcomponents.co.uk

[www.abcomponents.co.uk](http://www.abcomponents.co.uk)