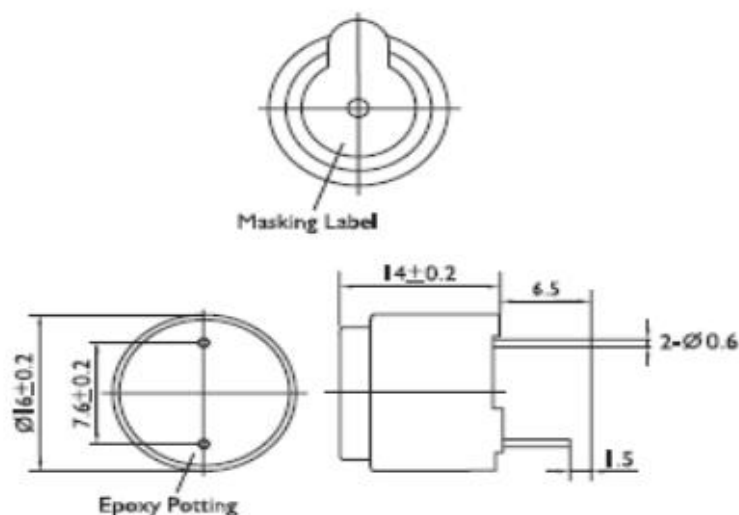


## Datasheet

# 8V dc PCB Mount Electromagnetic Buzzer 85dB Continuous

RS Stock number [724-3175](#)

Dimensions: (Unit: mm; Tolerance:  $\pm 0.5$ m)



### Features:

- Colour: Black
- Housing material: Noryl
- Sealed base
- Wave solderable and washable
- Internal drive circuit

All data at 25°C unless otherwise specified.

| SPECIFICATIONS                         | Electro Mechanical Indicator |
|----------------------------------------|------------------------------|
| Operating Voltage                      | 4-8VDC                       |
| Rated voltage                          | 6VDC                         |
| Rated Current at rated voltage Max     | 25mA                         |
| Sound Output at 20cm, at rated voltage | $\geq 85$ dB                 |
| Resonant Frequency                     | 2300 $\pm$ 500Hz             |
| Tone                                   | Continuous                   |
| Operating Temperature                  | -20 ~ +70°C                  |
| Storage Temperature                    | -30 ~ +80°C                  |
| Weight                                 | 7g                           |